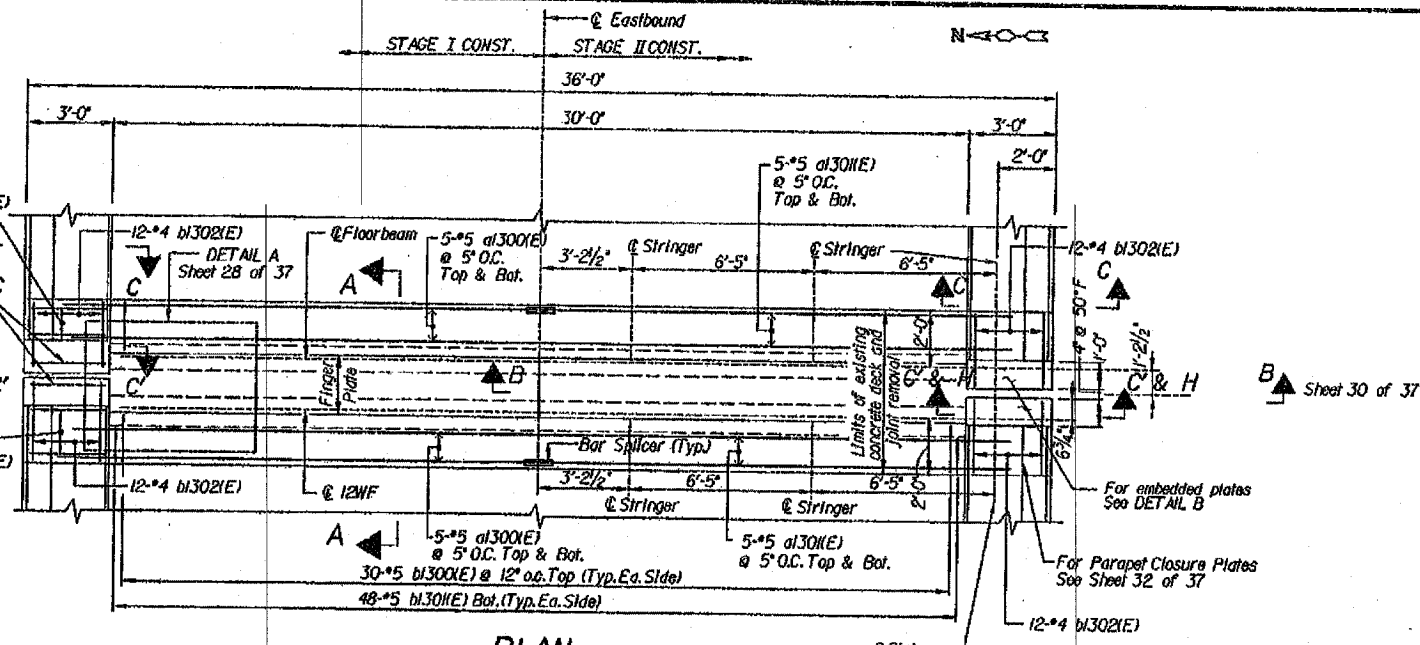


ROUTE NO.	SECTION	COUNTY	TOTAL SHEETS	SHEET NO.
FAI-270		MADISON	448	193C
STA.	TO STA.			
F.H.W.A. REGION	ILLINOIS	PROJECT		
60-1B-1-3	SHT. 29 OF 37			

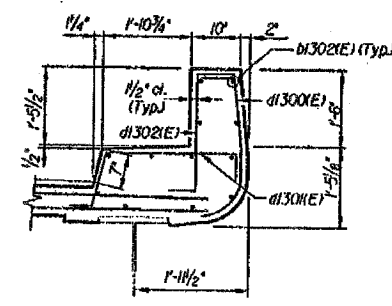
**BILL OF MATERIAL**

BAR	NO.	SIZE	LENGTH	SHAPE
d1300(E)	20	#5	17'-0"	—
d1301(E)	20	#5	17'-0"	—
d1300(E)	60	#5	2'-5"	C
d1301(E)	96	#5	2'-4"	—
d1302(E)	48	#4	1'-10"	—
d1300(E)	12	#5	3'-8"	—
d1301(E)	12	#5	4'-7"	—
d1302(E)	12	#5	3'-5"	—
d1303(E)	4	#5	4'-1/2"	—
d1304(E)	4	#5	3'-8"	—
REINFORCEMENT BARS, EPOXY COATED			LBS	1330
CONCRETE SUPERSTRUCTURE			CU YDS	6.3
REINFORCED NEOPRENE EXPANSION JOINT TREATMENT			LIN. FT.	90
CONCRETE REMOVAL			CU YDS	5.6
FURNISH & ERECT STRUCTURAL STEEL			LBS	13,550
BAR SPICER			EACH	20

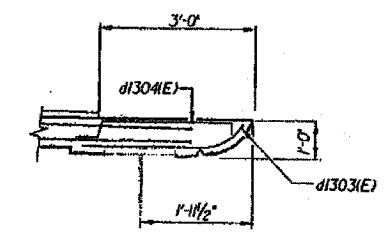
NOTE: Contractor shall verify existing dimensions in field and make necessary adjustments prior to construction or ordering materials.



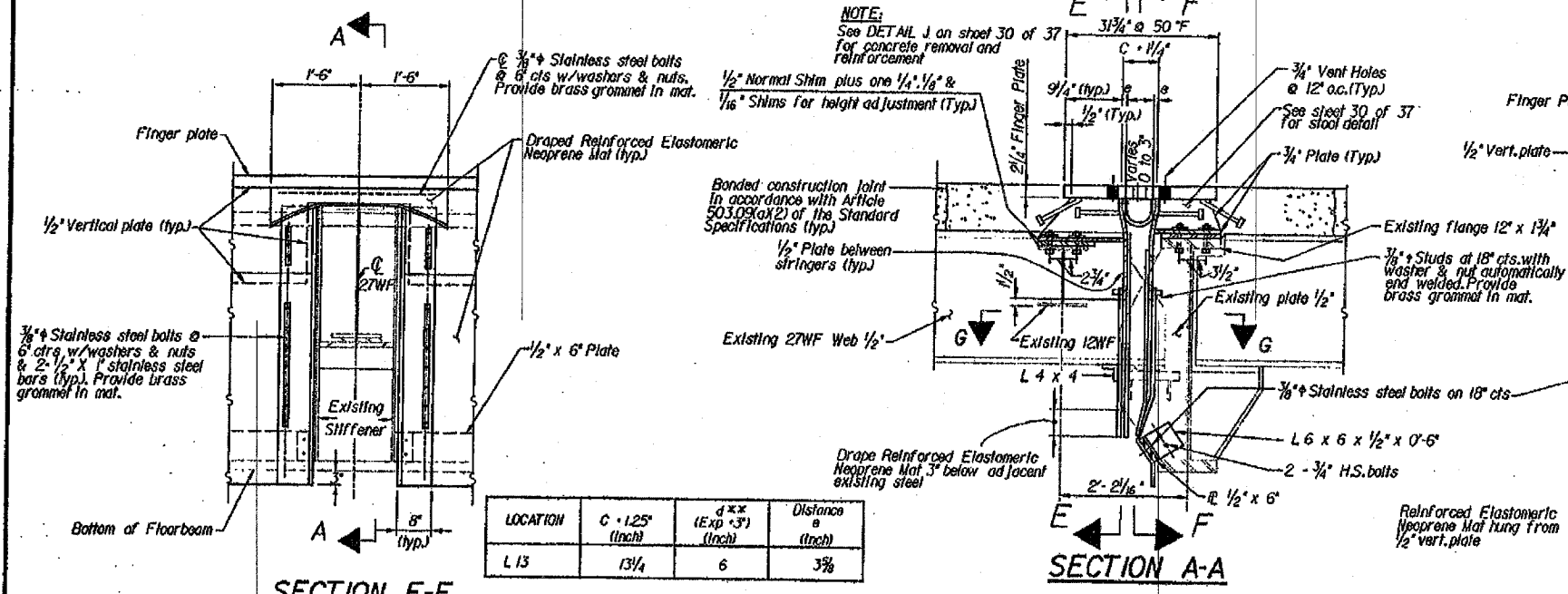
**PLAN**  
DECK REINFORCEMENT AT PANEL U3



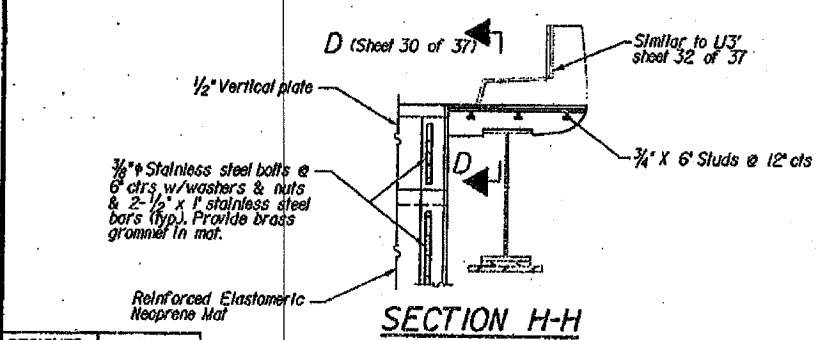
**SECTION C-C**



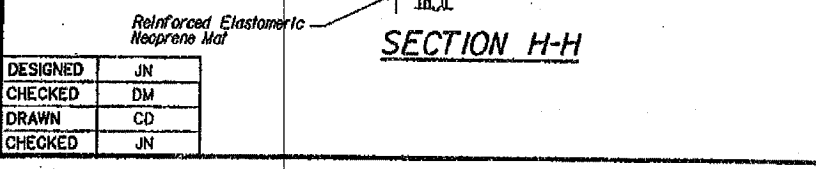
**SECTION C'-C'**



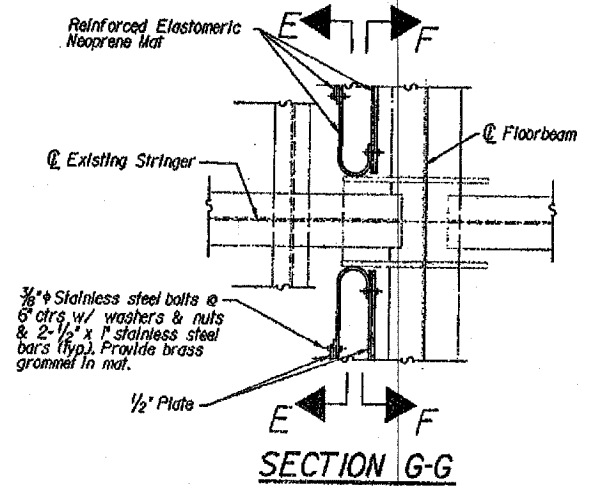
**SECTION A-A**



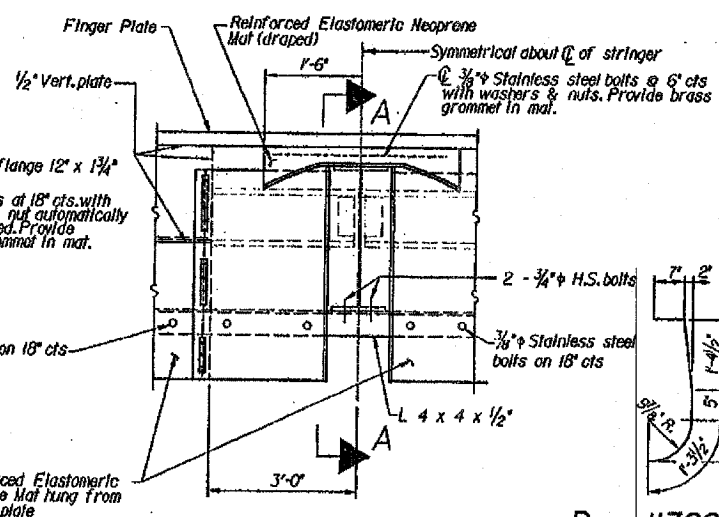
**SECTION F-F**



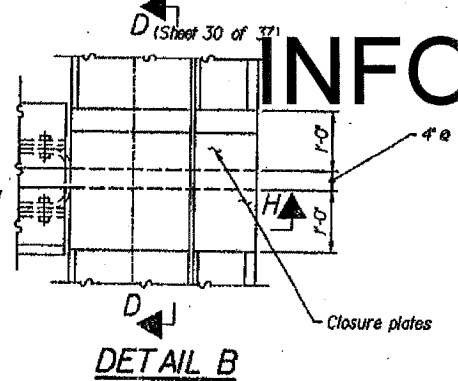
**SECTION H-H**



**SECTION G-G**



**SECTION E-E**



**DETAIL B**

**FOR INFORMATION ONLY**

ILLINOIS DEPARTMENT OF TRANSPORTATION  
FINGER PLATE EXPANSION DETAILS AT PANEL L13  
REHABILITATION OF CHAIN OF ROCKS CANAL BRIDGE  
FAI-270 OVER THE CHAIN OF ROCKS CANAL  
EASTBOUND BRIDGE REPAIR  
SECTION 60-1B-1-3  
MADISON COUNTY  
STRUCTURE NUMBER 060-0036

DATE 1995

alfred benesch & company  
CONSULTING ENGINEERS  
305 NORTH MICHIGAN AVENUE, CHICAGO, ILLINOIS 60601  
JOB NO. 3011

DESIGNED	JN
CHECKED	DM
DRAWN	CD
CHECKED	JN