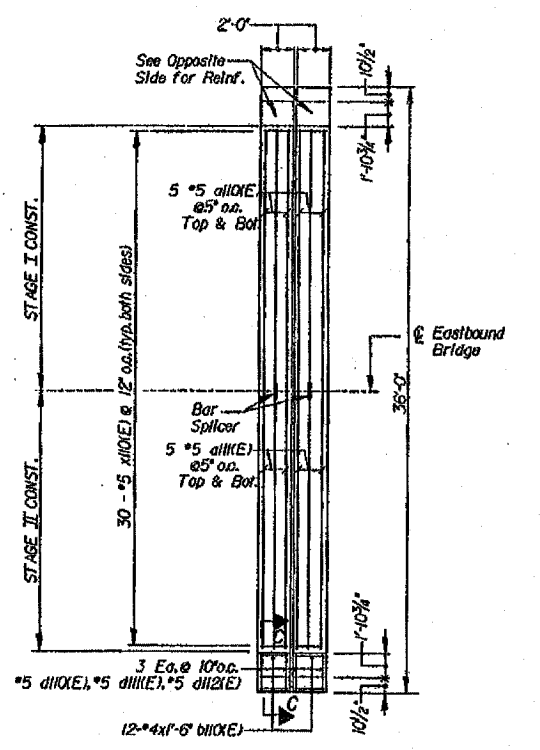
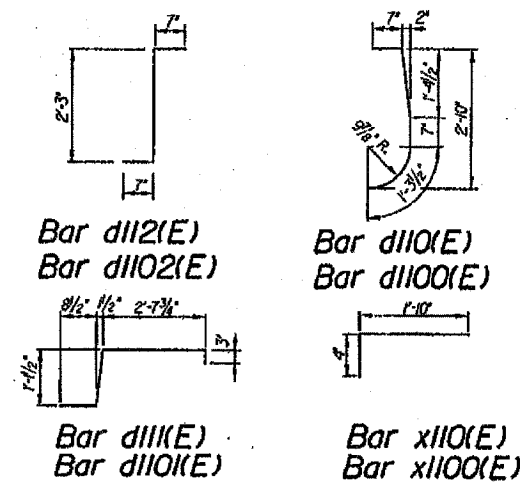


ROUTE No.	SECTION	COUNTY	TOTAL SHEETS	SHEET NO.
FAI-270	*	MADISON	448	193E
STA.		TO STA.		
F.H.W.A. REGION		LLWNR	PROJECT	
*60-1B-1-3		SHT. 27 OF 37		

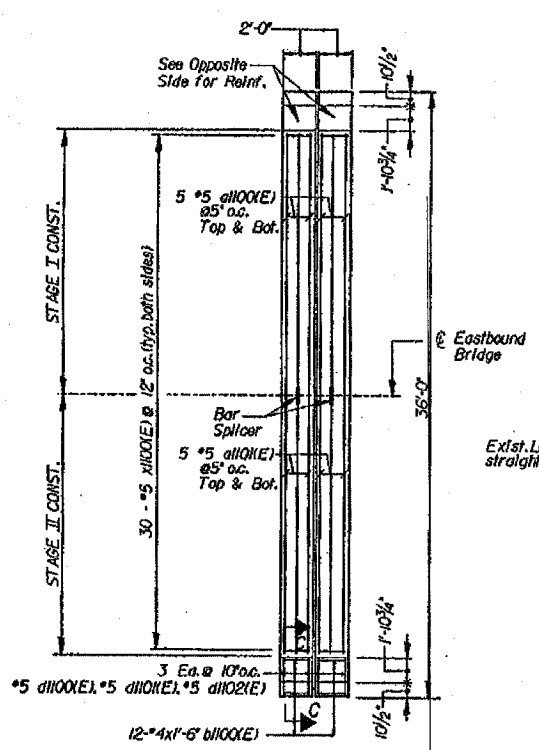
BILL OF MATERIAL

BAR	NO.	SIZE	LENGTH	SHAPE
d110(E)	20	*5	17'-0"	—
d110(E)	20	*5	17'-0"	—
d110(E)	48	*4	1'-6"	—
d110(E)	12	*5	3'-10"	⌒
d110(E)	12	*5	4'-8"	⌒
d112(E)	12	*5	3'-5"	⌒
x110(E)	60	*5	2'-2"	⌒
d110(E)	20	*5	17'-0"	—
d110(E)	20	*5	17'-0"	—
d110(E)	48	*4	1'-6"	—
d110(E)	12	*5	3'-10"	⌒
d110(E)	12	*5	4'-8"	⌒
d112(E)	12	*5	3'-5"	⌒
x110(E)	60	*5	2'-2"	⌒
REINFORCEMENT BARS EPOXY COATED			LBS	2100
CONCRETE SUPERSTRUCTURE			CU YDS	11.5
NEOPRENE EXPANSION JOINT, 4"			LIN. FT.	36
PREFORMED JOINT SEAL 4"			LIN. FT.	36
CONCRETE REMOVAL			CU YDS	10.8
FURNISH & ERECT STRUCTURAL STEEL			LBS	915

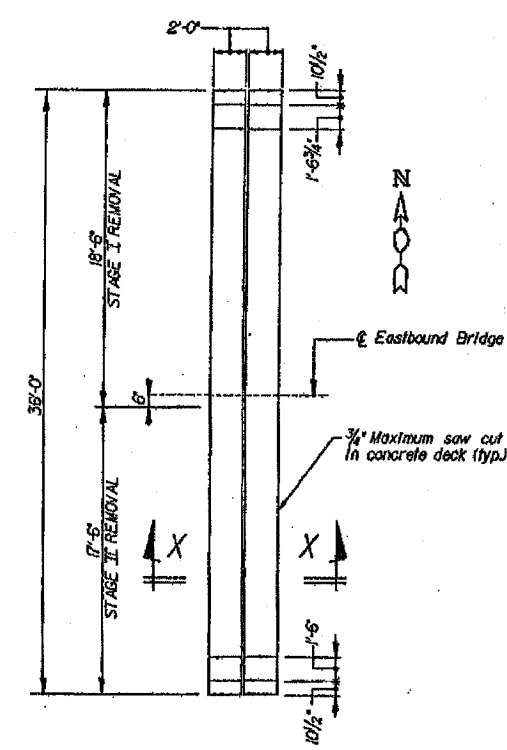
NOTE:
Contractor shall verify existing dimensions in field and make necessary adjustments prior to construction or ordering materials.



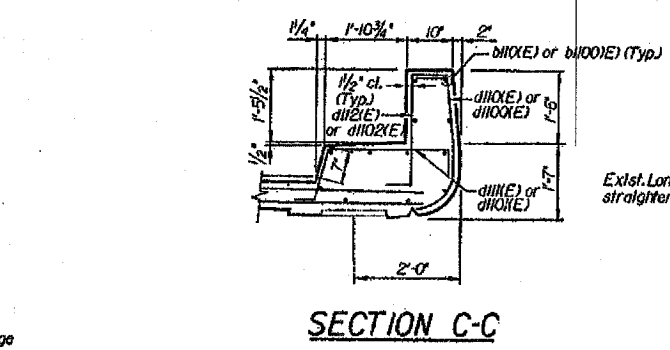
CONCRETE DECK REINFORCEMENT PIER I



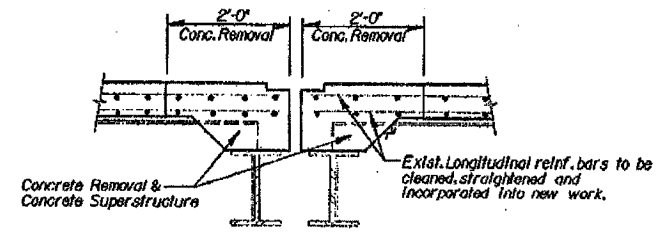
CONCRETE DECK REINFORCEMENT PIER II



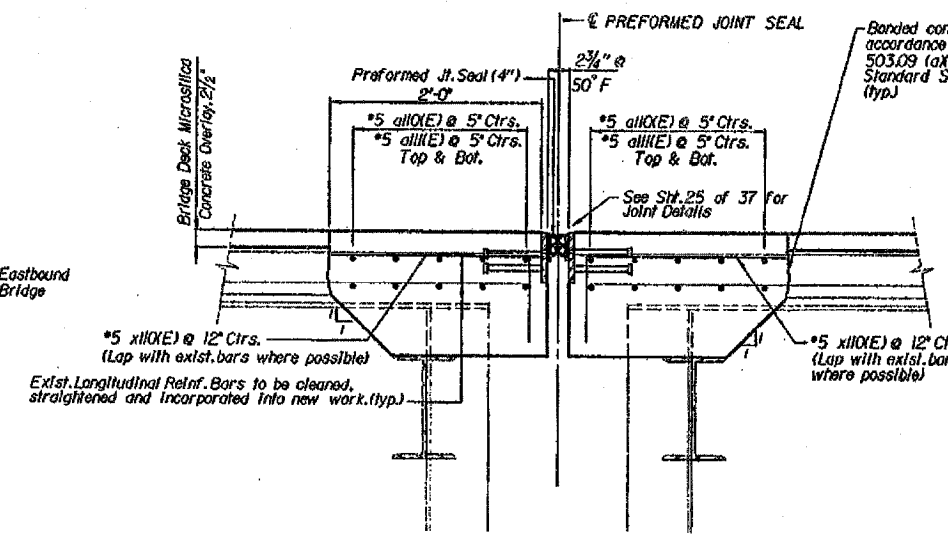
PLAN - CONCRETE REMOVAL PIERS I & II



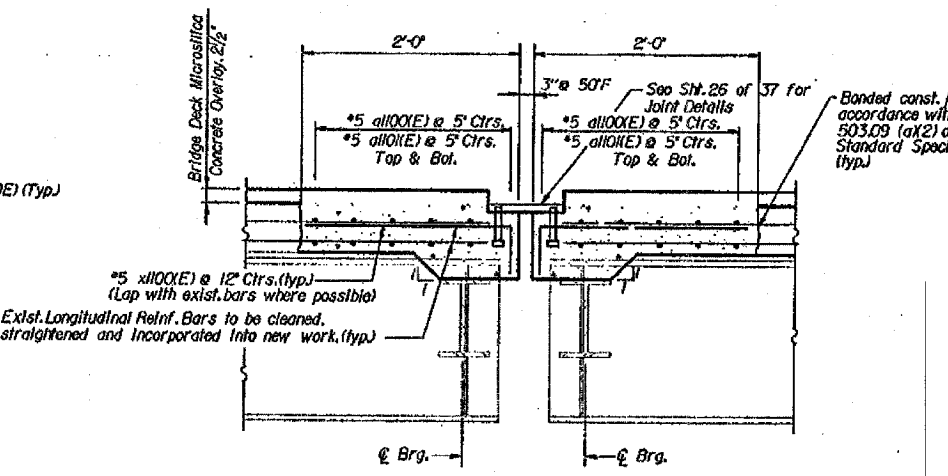
SECTION C-C



SECTION X-X



PREFORMED EXPANSION JOINT SEAL PIER I



SECTION AT NEOPRENE EXPANSION JOINT, 4" PIER II

FOR INFORMATION ONLY

DESIGNED	JN
CHECKED	DM
DRAWN	CD
CHECKED	JN

alfred benesch & company
CONSULTING ENGINEERS
205 NORTH MICHIGAN AVENUE, CHICAGO, ILLINOIS 60601
JOB NO. 3011

ILLINOIS DEPARTMENT OF TRANSPORTATION
EXPANSION JOINT DETAILS PIERS 1 AND 11
REHABILITATION OF CHAIN OF ROCKS CANAL BRIDGE
FAI-270 OVER THE CHAIN OF ROCKS CANAL
EASTBOUND BRIDGE REPAIRS
SECTION 60-1B-1-3
MADISON COUNTY
STRUCTURE NUMBERS 060-0036

DATE 1995