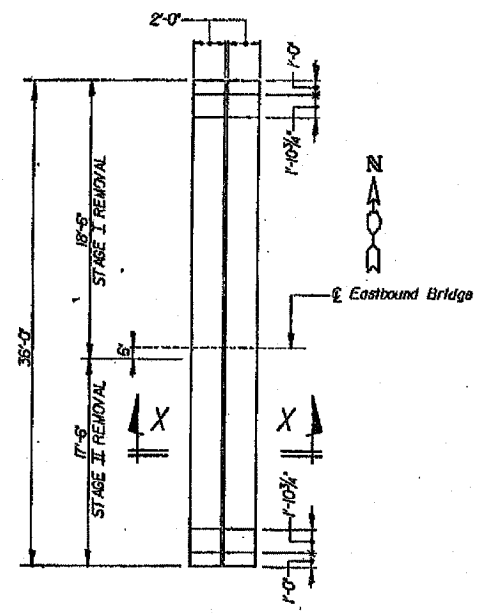


ROUTE NO.	SECTION	COUNTY	TOTAL SHEETS	SHEET NO.
FAI-270	*	MADISON	448	193H
STA.		TO STA.		
F.H.W.A. REGION		LENGTH	PROJECT	
*60-1B-1-3			SHT. 24 OF 37	

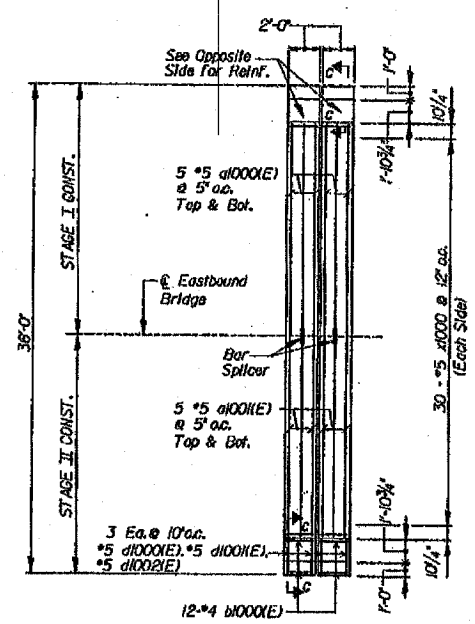
BILL OF MATERIAL

BAR	NO.	SIZE	LENGTH	SHAPE
d1000(E)	160	#5	17'-0"	—
d1000(E)	160	#5	17'-0"	—
d1000(E)	384	#4	1'-6"	—
d1000(E)	96	#5	3'-8"	U
d1000(E)	96	#5	4'-8"	U
d1002(E)	96	#5	3'-5"	U
x1000(E)	480	#5	2'-2"	—
REINFORCEMENT BARS, EPOXY COATED			LBS	8330
CONCRETE SUPERSTRUCTURE			CU YDS	33
PREFORMED JOINT SEAL, 1 3/4"			LIN. FT.	290
CONCRETE REMOVAL			CU YDS	33
FURNISH & ERECT STRUCTURAL STEEL			LBS	4270
BAR SPLICERS			EACH	160

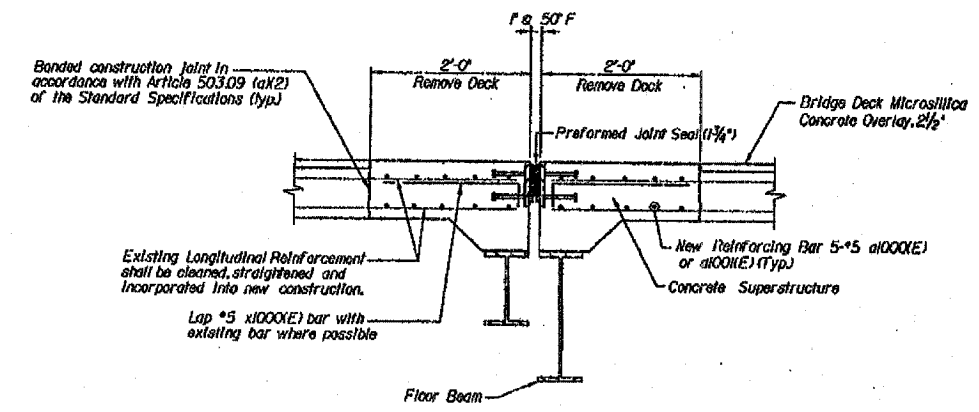
NOTE: Contractor shall verify existing dimensions in field and make necessary adjustments prior to construction or ordering materials.



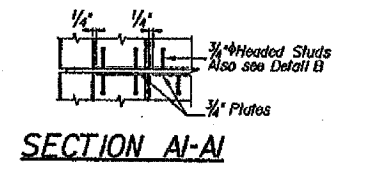
PLAN - CONCRETE REMOVAL
At Detail I



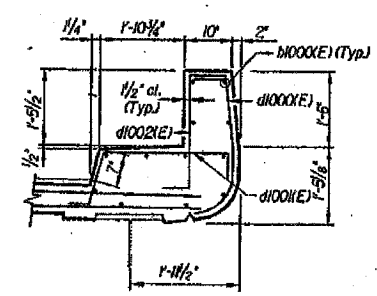
CONCRETE DECK REINFORCEMENT
At Detail I



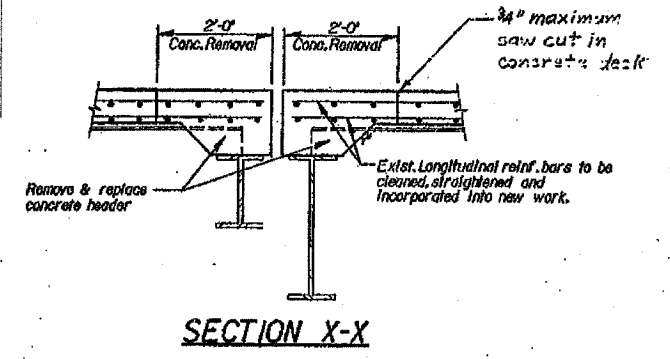
DETAIL I
(Spans 5 to 7)
(8 locations)



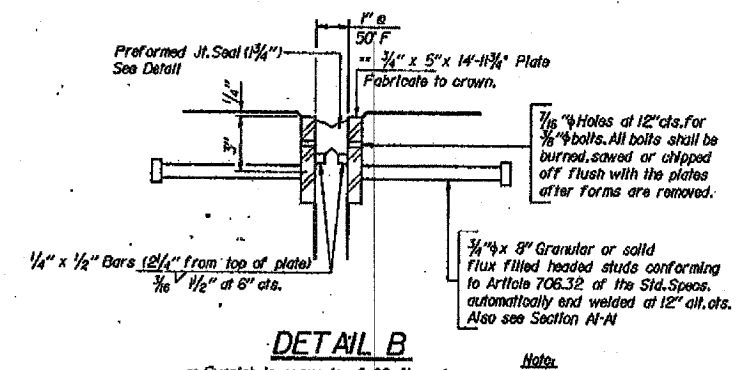
TYPICAL SEAL TREATMENT AT PARAPET & CURB



SECTION C-C

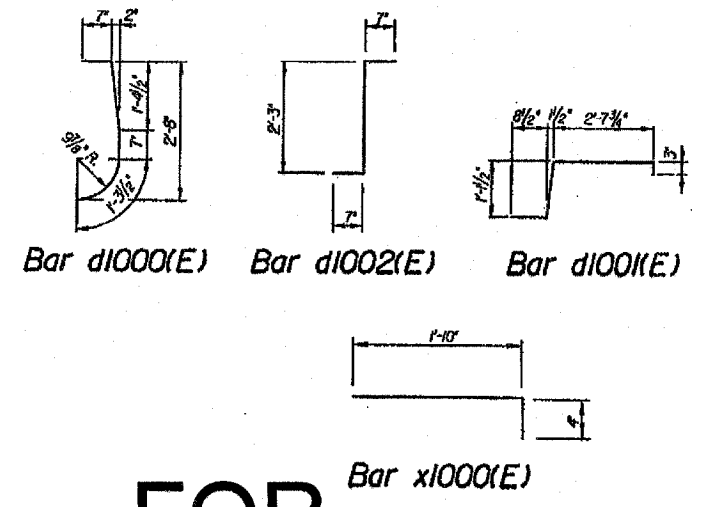


SECTION X-X

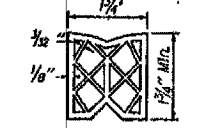


DETAIL B

Note: After fabrication, all surfaces of the steel plates shall be given one shop coat of paint specified for structural steel. No field painting required.



END OF SEAL CUT-OUT SEAL CUT-OUT AT CURB



PREFORMED JOINT SEAL (1 3/4")

FOR INFORMATION ONLY

ILLINOIS DEPARTMENT OF TRANSPORTATION
EXPANSION JOINT DETAILS, SPANS 5-7
REHABILITATION OF CHAIN OF ROCKS CANAL BRIDGE
FAI-270 OVER THE CHAIN OF ROCKS CANAL
EASTBOUND BRIDGE REPAIRS
SECTION 60-1B-1-3
MADISON COUNTY
STRUCTURE NUMBER 060-0036

DESIGNED	JN
CHECKED	DM
DRAWN	CD
CHECKED	JN

alfred benesch & company
CONSULTING ENGINEERS
205 NORTH MICHIGAN AVENUE, CHICAGO, ILLINOIS 60601
JOB NO. 3011

DATE 1995