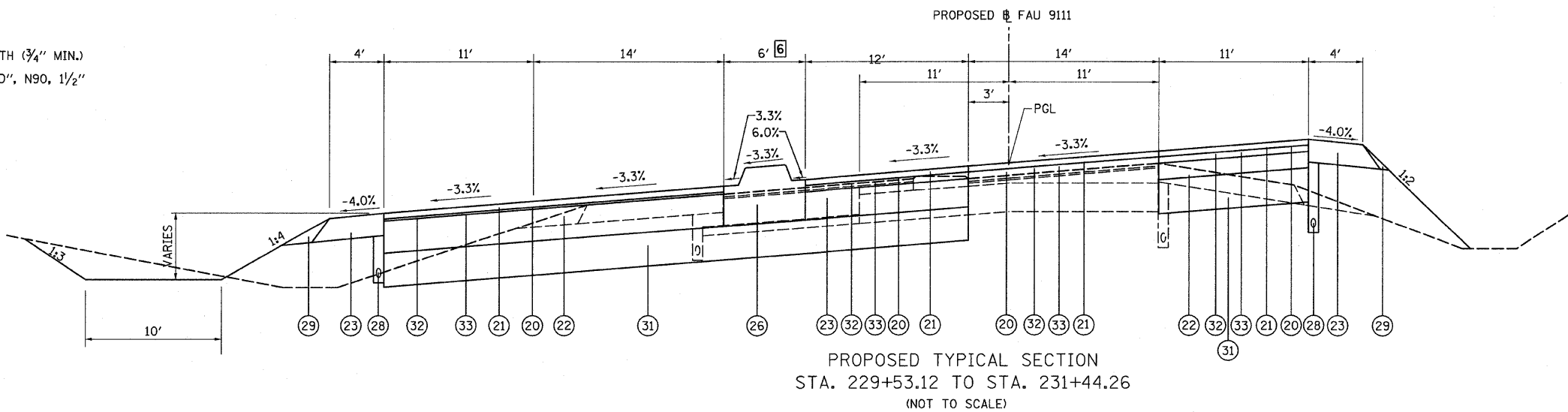
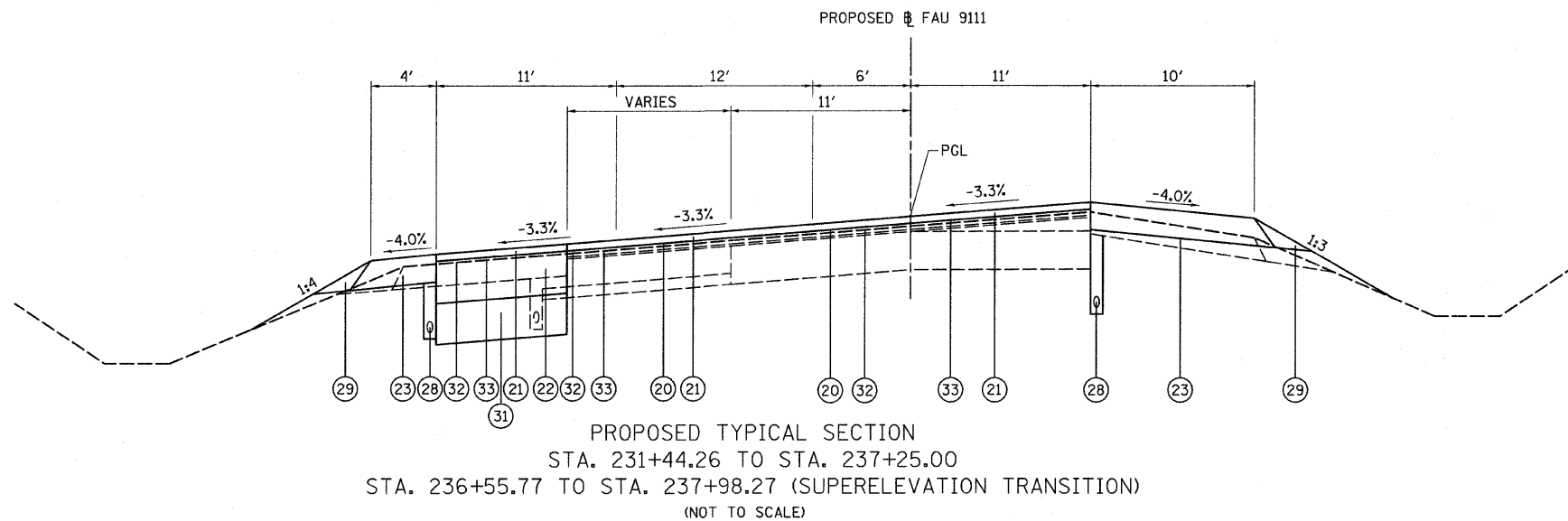
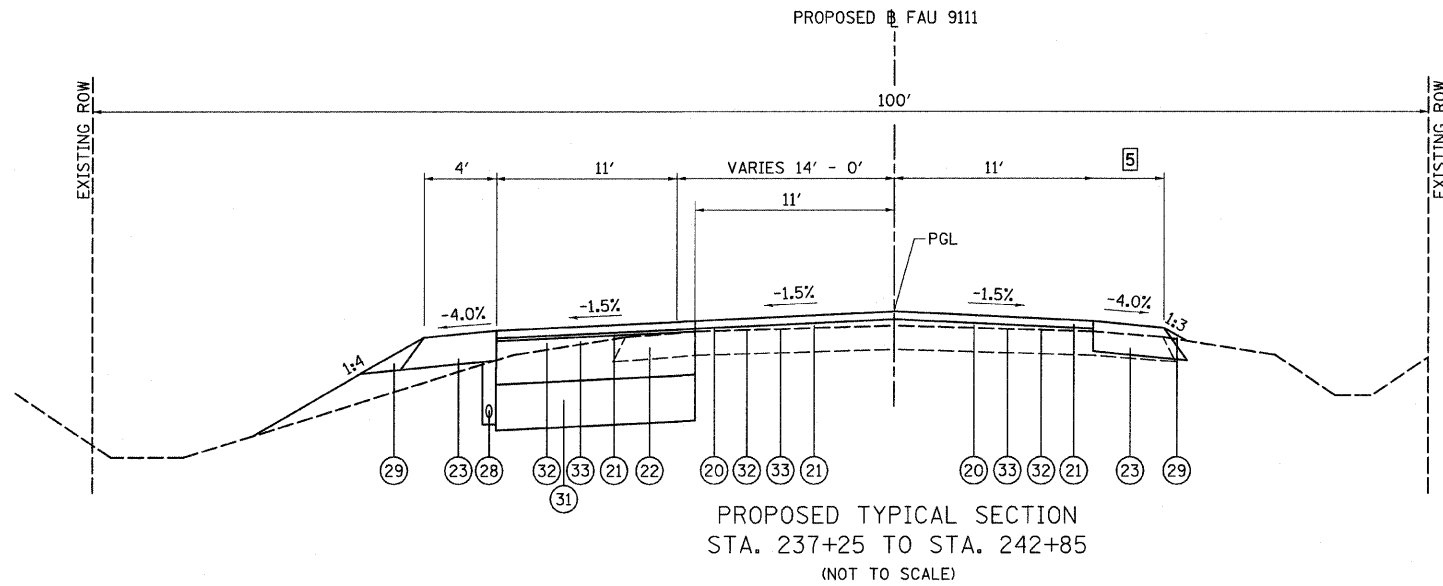


- 1 VARIES 0' TO 11'  
FROM STA. 225+85.77 TO STA. 226+35.77
- 2 VARIES 0' TO 12'  
FROM STA. 225+85.77 TO STA. 226+35.77
- 3 VARIES 18' TO 6'  
FROM STA. 225+85.77 TO STA. 226+35.77
- 4 VARIES 10' TO 4'  
FROM STA. 225+85.77 TO STA. 226+12.95
- 5 10' FROM STA. 237+25 TO STA. 238+33.99  
VARIES 10' - 4' FROM STA. 238+33.99 TO STA. 239+59.32  
4' FROM STA. 239+59.32 TO STA. 242+85
- 6 VARIES 6' TO 0'  
FROM STA. 229+51.94 TO STA. 231+73.01
- 7 VARIES 59.48" TO 0'  
FROM STA. 10+22.50 TO STA. 10+86.70



**LEGEND**

- 1 EXISTING AGGREGATE SHOULDER, TYPE B
- 2 EXISTING BITUMINOUS CONCRETE SURFACE COURSE, MIXTURE D, CLASS I, 1 1/4"
- 3 EXISTING LEVELING BINDER (MACHINE METHOD)
- 4 EXISTING BITUMINOUS SHOULDER 8"
- 5 EXISTING COMBINATION CONCRETE CURB & GUTTER, TYPE M6.06
- 6 EXISTING COMBINATION CONCRETE CURB & GUTTER, TYPE M6.18
- 7 EXISTING CONCRETE MEDIAN SURFACE, 4"
- 8 EXISTING CONCRETE MEDIAN, TYPE C4 (MODIFIED)
- 9 EXISTING PORTLAND CEMENT CONCRETE BASE COURSE 10"
- 10 EXISTING PORTLAND CEMENT CONCRETE PAVEMENT, 8"
- 11 EXISTING STABILIZED SUB-BASE 4"
- 12 EXISTING BITUMINOUS CONCRETE BINDER COURSE 3/4"
- 13 EXISTING 4" PIPE UNDERDRAINS
- 14 EXISTING SAND BACKFILL
- 15 EXISTING COMBINATION CONCRETE CURB & GUTTER, TYPE M6.24
- 16 EXISTING COMBINATION CONCRETE CURB & GUTTER, TYPE B6.24
- 17 EXISTING SUBBASE GRANULAR MATERIAL 5"
- 18 EXISTING HOT-MIX ASPHALT BASE COURSE, 8"
- 19 EXISTING BITUMINOUS CONCRETE SURFACE COURSE, 2"
- 20 PROPOSED LEVELING BINDER (MACHINE METHOD), N90, VARIABLE DEPTH (3/4" MIN.)
- 21 PROPOSED POLYMERIZED HOT-MIX ASPHALT SURFACE COURSE, MIX "D", N90, 1 1/2"
- 22 PROPOSED HOT-MIX ASPHALT BASE COURSE, 1 1/2"
- 23 PROPOSED HOT-MIX ASPHALT SHOULDERS, 8"
- 24 PROPOSED COMBINATION CONCRETE CURB AND GUTTER, TYPE M-6.12
- 25 PROPOSED CONCRETE MEDIAN SURFACE, 4 INCH
- 26 PROPOSED CONCRETE MEDIAN, TYPE SM-6.12
- 27 PROPOSED COMBINATION CONCRETE CURB AND GUTTER, TYPE B-6.24
- 28 PROPOSED 4" PIPE UNDERDRAINS
- 29 PROPOSED AGGREGATE SHOULDERS, TYPE B
- 30 PROPOSED AGGREGATE SHOULDERS, TYPE A, 8"
- 31 PROPOSED LIME MODIFIED SOIL, 12"
- 32 PROPOSED BITUMINOUS MATERIALS (PRIME COAT)
- 33 PROPOSED AGGREGATE (PRIME COAT)
- 34 PROPOSED COMBINATION CONCRETE CURB AND GUTTER, TYPE B-6.18
- ITEMS TO BE REMOVED

FILE NAME =	USER NAME = #USER#	DESIGNED -	REVISED -	<b>STATE OF ILLINOIS DEPARTMENT OF TRANSPORTATION</b>	<b>PROPOSED TYPICAL SECTIONS</b>	F.A.U. RTE.	SECTION	COUNTY	TOTAL SHEETS	SHEET NO.	
H:\P\25004\Technical Production\Civil\W07\Microstation\typical\02.dgn		DRAWN -	REVISED -			9111	73-15TS	MADISON	64	8	
PLOT SCALE = 20.0000' / IN.		CHECKED -	REVISED -			CONTRACT NO. 76B22					
PLOT DATE = 3/14/2008		DATE -	REVISED -			FED. ROAD DIST. NO. ILLINOIS FED. AID PROJECT					
					SCALE: NONE		SHEET NO. 5 OF 6 SHEETS		STA. TO STA.		