

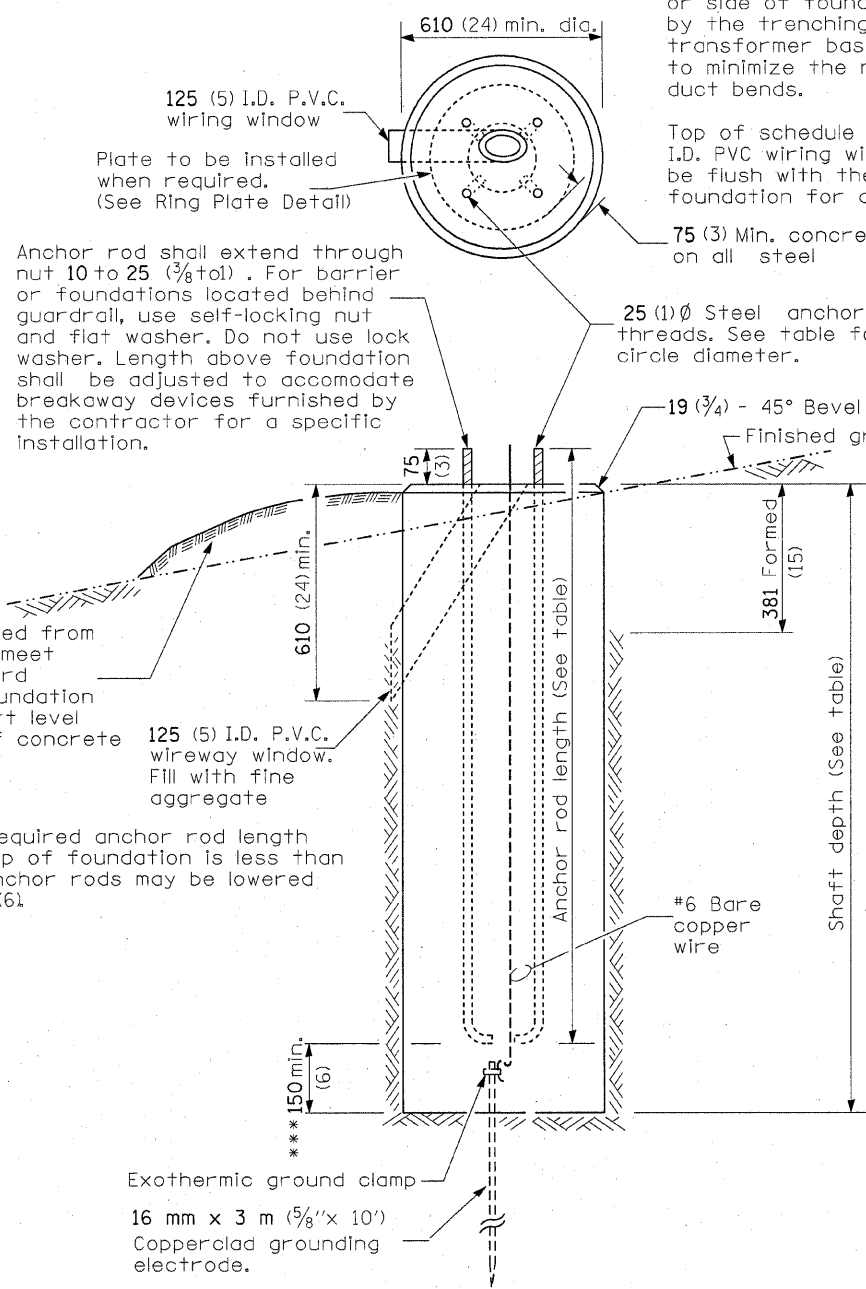
POLE BASE MOUNTING AND WIRING

NOTE: A. ON POLES WITH TWO LUMINAIRES, EACH LUMINAIRE SHALL HAVE A SEPARATE FUSED DISCONNECT & ASSOCIATED CABLES TO EACH LUMINAIRE.

CONCRETE FOUNDATION				
LIGHT POLE MOUNTING HEIGHT	BOLT CIRCLE DIAMETER	SHAFT DIAMETER	SHAFT DEPTH	ANCHOR ROD LENGTH*
9.1 m (30')	292 mm (11 1/2")	610mm (24")	1.52 m (5'-0")	1.45 m (4'-9")
9.4 m - 10.7 m (31'-35')	292 mm (11 1/2")	610mm (24")	1.67 m (5'-6")	1.60 m (5'-3")
10.9 m - 12.2 m (36'-40')	381 mm (15")	610mm (24")	1.83 m (6'-0")	1.75 m (5'-9")
12.5 m - 13.7 m (41'-45')	381 mm (15")	610mm (24")	1.98 m (6'-6")	1.90 m (6'-3")
14.0 m - 15.2 m (46'-50')	381 mm (15")	610mm (24")	2.13m (7'-0")	2.00 m (6'-9")

* Length does not include 100 (4) hook
 ** 220 mm x 2.44 m (8 5/8" x 8'-0") for Twin luminaires

Notes:
 All foundations are designed to be located on slopes not exceeding 2:1 where soils have an unconfined compressive strength of at least 1.0 TSF. The contractor shall verify the soil strength during drilling for concrete foundations and notify the engineer if other conditions are encountered.

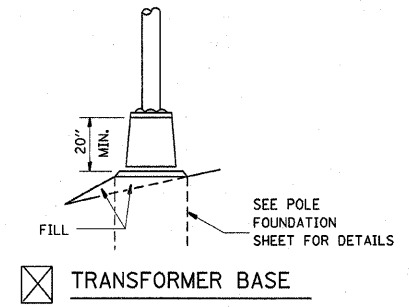


Anchor rod shall extend through nut 10 to 25 (3/8 to 1). For barrier or foundations located behind guardrail, use self-locking nut and flat washer. Do not use lock washer. Length above foundation shall be adjusted to accommodate breakaway devices furnished by the contractor for a specific installation.

Use dirt removed from foundation to meet 1.52m (5 ft.) chord fill around foundation top. Grade dirt level with bottom of concrete chamfer.

*** If the required anchor rod length above top of foundation is less than 75 (3), anchor rods may be lowered below 150 (6).

Exothermic ground clamp
 16 mm x 3 m (5/8" x 10')
 Copper clad grounding electrode.



Notes:
 Wireway may be on front, back, or side of foundation as required by the trenching. Place door of transformer base on wireway side to minimize the number of unit duct bends.

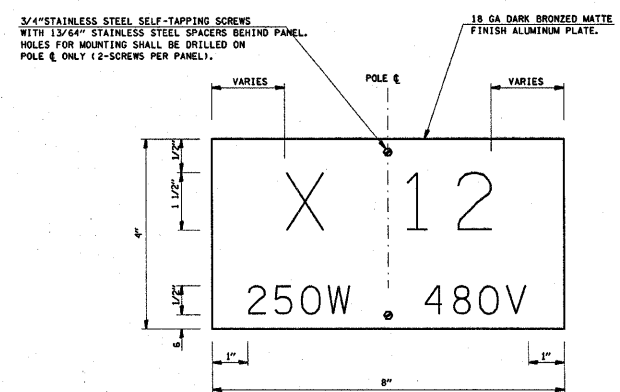
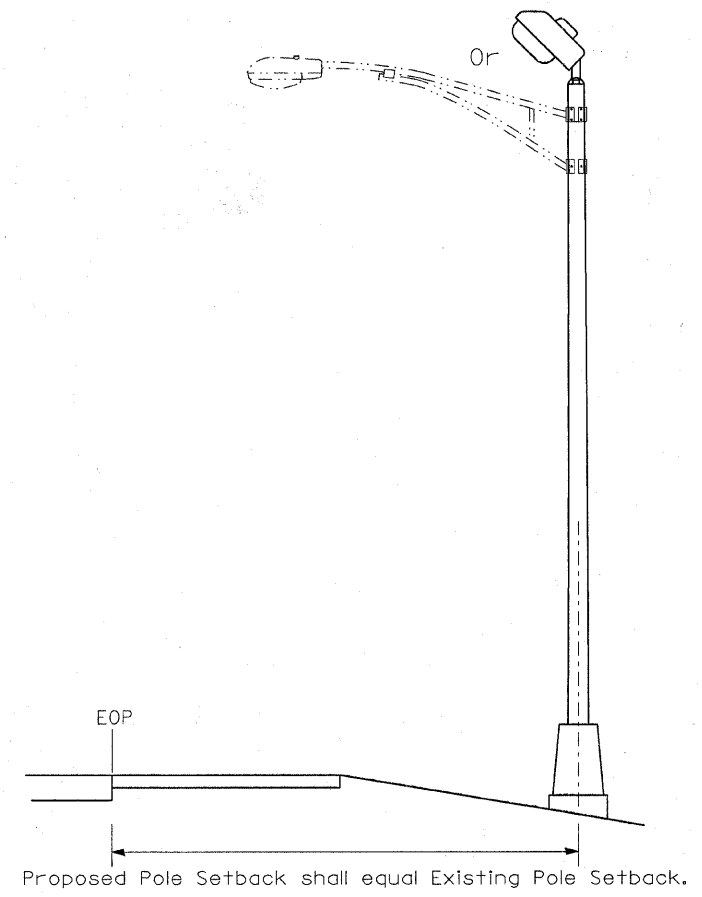
Top of schedule 40 PVC 125 (5) I.D. PVC wiring window, shall be flush with the top of foundation for drainage.
 75 (3) Min. concrete cover on all steel

25 (1) Ø Steel anchor rod with 230 (9) of threads. See table for the required bolt circle diameter.

19 (3/4) - 45° Bevel
 Finished grade

Anchor rod length (See table)

#6 Bare copper wire



TYPICAL POLE IDENTIFICATION PANEL

SIGN PANEL DETAIL

NOTE:
 ALL LETTERS AND NUMERALS SHALL BE SERIES C GOTHIC, NON-REFLECTIVE WHITE PREMIUM QUALITY ENAMEL.
 SIGN INFORMATION SHALL BE IN ACCORDANCE WITH LIGHT POLE NUMBERING & WATTAGES SHOWN IN THE SCHEDULE.
 ON BRIDGE PARAPET MOUNTED POLES, MOUNT ONE SIGN PANEL FACING ROADWAY 610 ABOVE POLE BASE.

