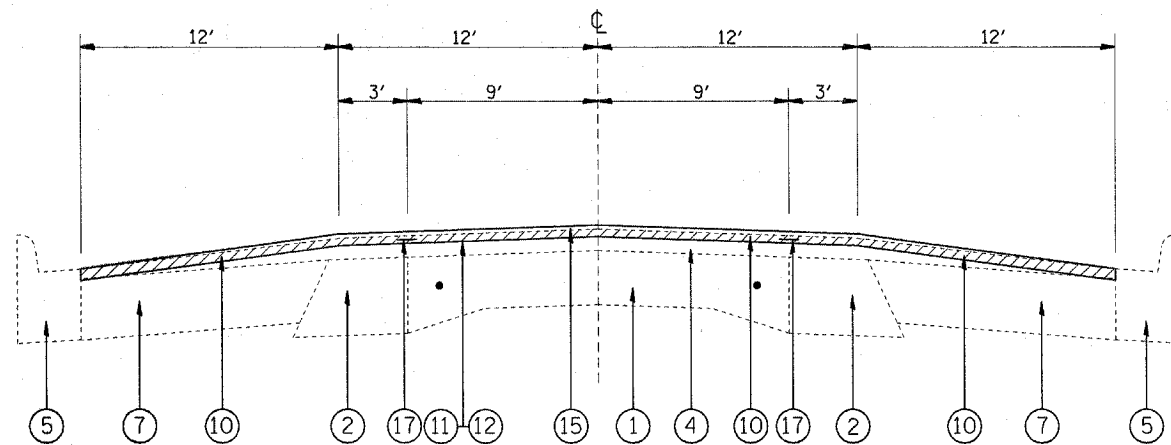


PROPOSED IL 154
STA. 446+56 TO STA. 454+50



PROPOSED IL 154
STA. 454+50 TO STA. 457+50

LEGEND

- ① EXISTING P.C.C. PAVEMENT (9''-6''-9'')
- ② EXISTING HOT-MIX ASPHALT BASE COURSE WIDENING, 9''
- ③ EXISTING CONCRETE WIDENING, 8''
- ④ EXISTING HOT-MIX ASPHALT RESURFACING, 3''
- ⑤ EXISTING CONCRETE CURB AND GUTTER
- ⑥ EXISTING CONCRETE GUTTER
- ⑦ EXISTING HOT-MIX ASPHALT PARKING LANE
- ⑧ EXISTING P.C.C. PAVEMENT, 8''
- ⑨ EXISTING STABILIZED SHOULDER, 8'', TO BE REMOVED
- ⑩ PROPOSED HOT-MIX ASPHALT SURFACE REMOVAL, 1''
- ⑪ PROPOSED AGGREGATE (PRIME COAT)
- ⑫ PROPOSED BITUMINOUS MATERIALS (PRIME COAT)
- ⑬ PROPOSED LEVELING BINDER (MACHINE METHOD), N90, 3/4''
- ⑭ PROPOSED LEVELING BINDER (MACHINE METHOD), N90, 1''
- ⑮ PROPOSED HOT-MIX ASPHALT SURFACE COURSE, 1 1/2''
- ⑯ PROPOSED HOT-MIX ASPHALT SHOULDERS, 10 1/2''
- ⑰ PROPOSED STRIP REFLECTIVE CRACK CONTROL
- ⑱ PROPOSED AGGREGATE WEDGE SHOULDER, TYPE B

FILE NAME = a:\projects\ed01588\plan\pin01588a.dgn	USER NAME = dntelmanjn	DESIGNED - ---	REVISED - ---
		DRAWN - ---	REVISED - ---
		CHECKED - ---	REVISED - ---
		DATE - ---	REVISED - ---

**STATE OF ILLINOIS
DEPARTMENT OF TRANSPORTATION**

TYPICAL SECTIONS

SCALE: _____ SHEET NO. ___ OF ___ SHEETS STA. _____ TO STA. _____

F.A.P. RTE. 329	SECTION (125,126)RS-2	COUNTY RANDOLPH	TOTAL SHEETS 34	SHEET NO. 8
FED. ROAD DIST. NO. _____ ILLINOIS FED. AID PROJECT			CONTRACT NO. 76B38	