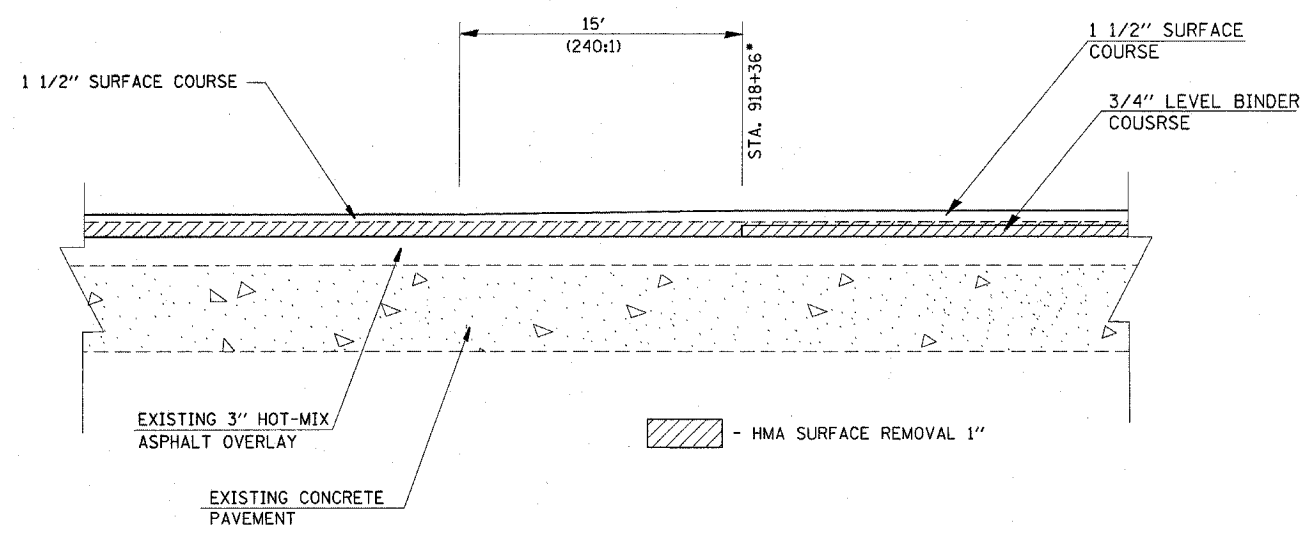
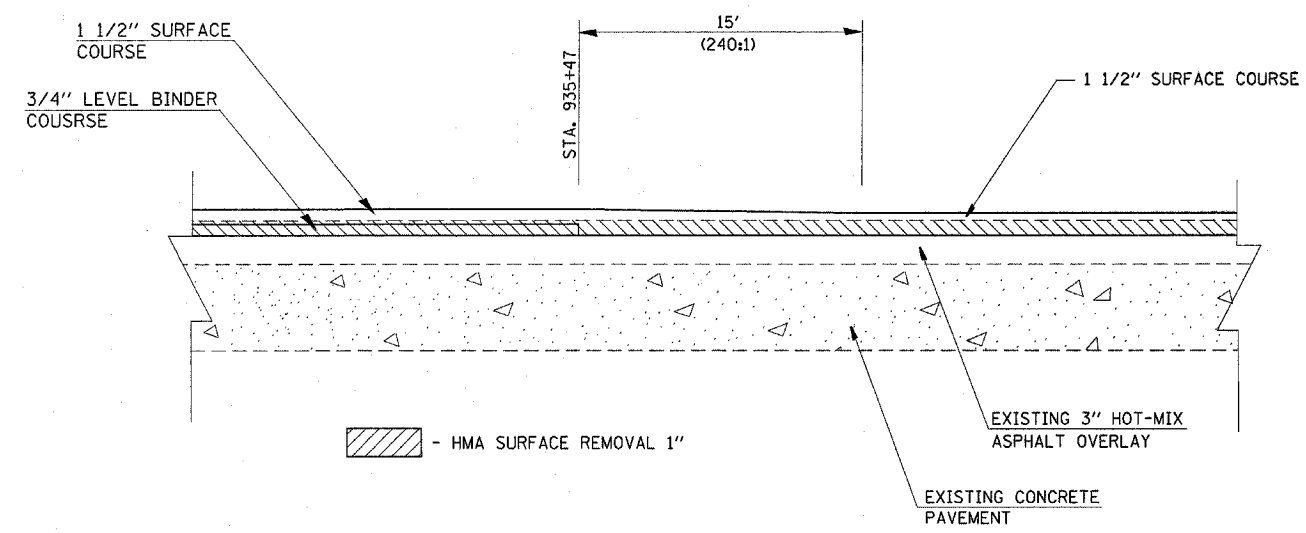


TRANSITION DETAIL

* THE TRANSITION FROM 1" DEPTH MILLING TO NO MILLING WILL BE INCLUDED IN THE COST OF THE 1" HMA SURFACE REMOVAL PAY ITEM



TRANSITION DETAIL



TRANSITION DETAIL

FILE NAME =	USER NAME = dintelmenjp	DESIGNED -	REVISED -
c:\projects\ed01508\plan\pln01508a.dgn		DRAWN -	REVISED -
	PLOT SCALE = 50.0000' / IN.	CHECKED -	REVISED -
	PLOT DATE = 3/21/2008	DATE -	REVISED -

**STATE OF ILLINOIS
DEPARTMENT OF TRANSPORTATION**

MILLING DETAILS (SPARTA)

SCALE: _____ SHEET NO. _____ OF _____ SHEETS STA. _____ TO STA. _____

F.A.P. RTE.	SECTION	COUNTY	TOTAL SHEETS	SHEET NO.
329	(125,126)RS-2	RANDOLPH	34	31
CONTRACT NO. 76B38				
FED. ROAD DIST. NO. - ILLINOIS FED. AID PROJECT				