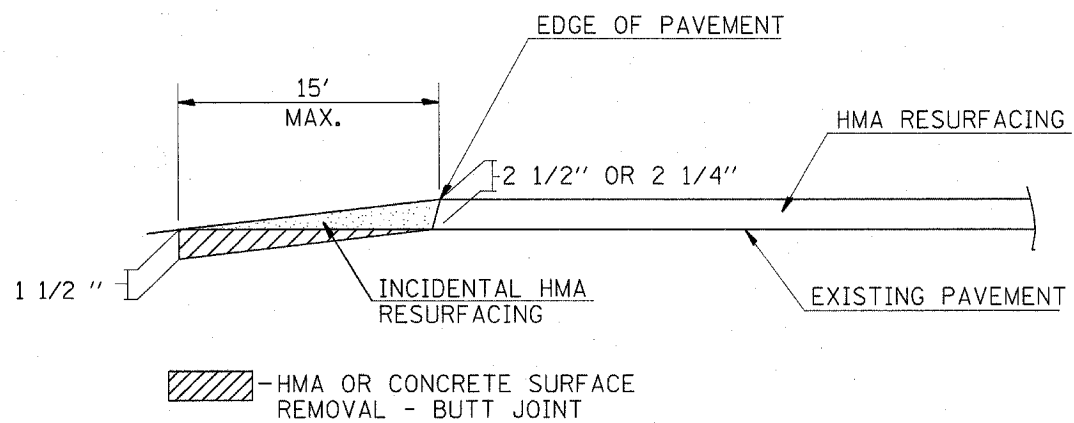
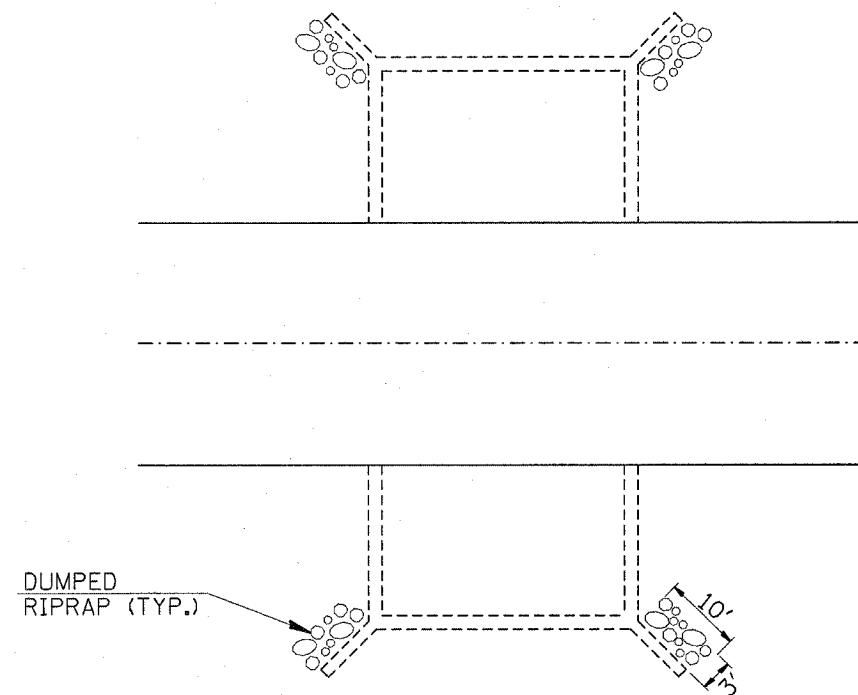


SIDE ROAD &
ENTRANCE DETAIL



SIDE ROAD &
ENTRANCE DETAIL
(SECTION A-A)



RIPRAP DETAIL
(079-2460)
(079-2463)

FILE NAME = c:\projects\ed01500\plan\pin01508a.dgn	USER NAME = dntalmanjn	DESIGNED - ---	REVISED - ---
		DRAWN - ---	REVISED - ---
	PLOT SCALE = 50.0000' / IN.	CHECKED - ---	REVISED - ---
	PLOT DATE = 3/21/2008	DATE - ---	REVISED - ---

STATE OF ILLINOIS
DEPARTMENT OF TRANSPORTATION

SCALE: _____		SHEET NO. ___ OF ___ SHEETS		STA. _____ TO STA. _____	
--------------	--	-----------------------------	--	--------------------------	--

F.A.P. RTE.	SECTION	COUNTY	TOTAL SHEETS	SHEET NO.
329	(125,126)RS-2	RANDOLPH	34	33
CONTRACT NO. 76B38				
FED. ROAD DIST. NO. - ILLINOIS FED. AID PROJECT				