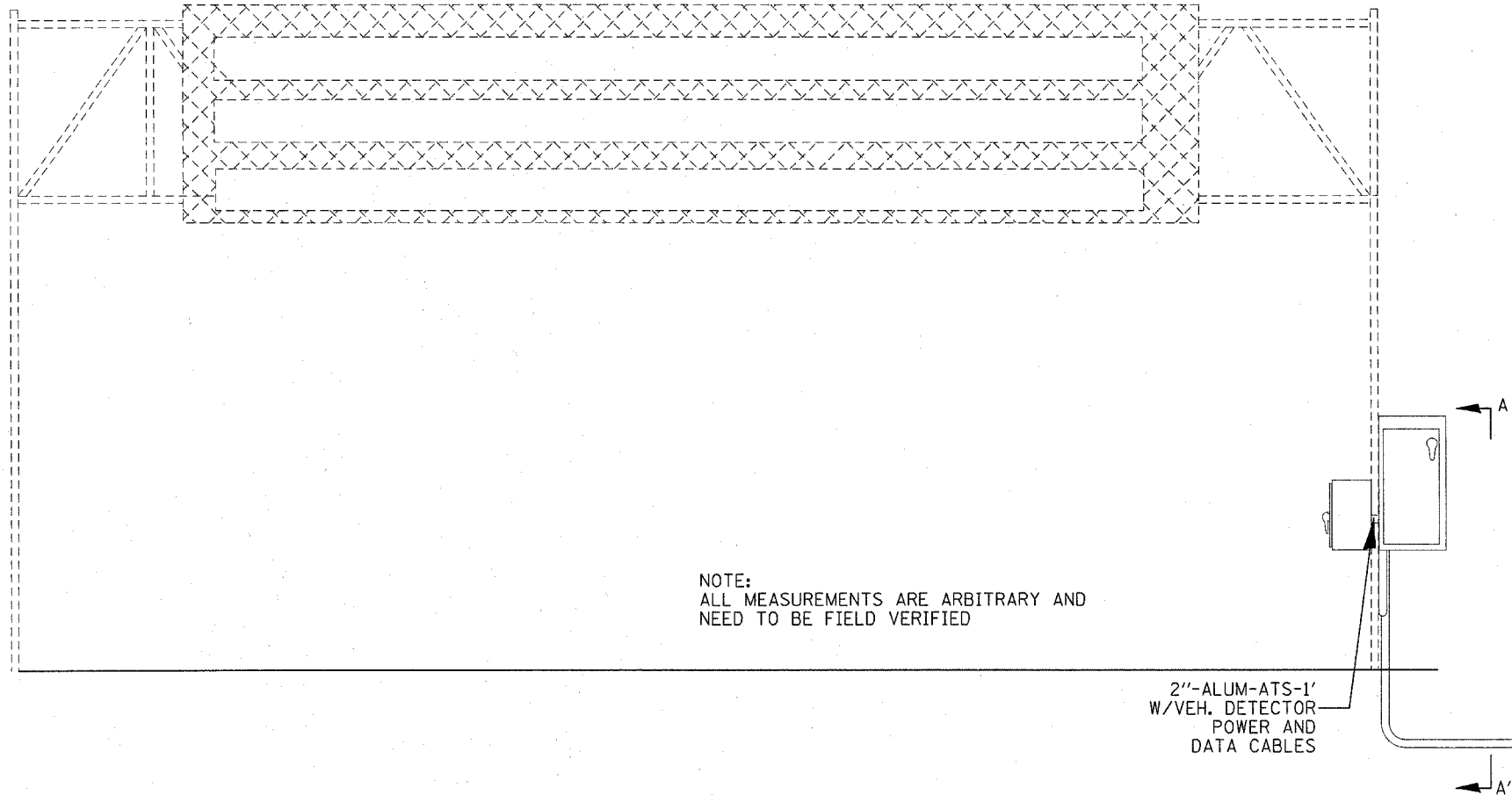
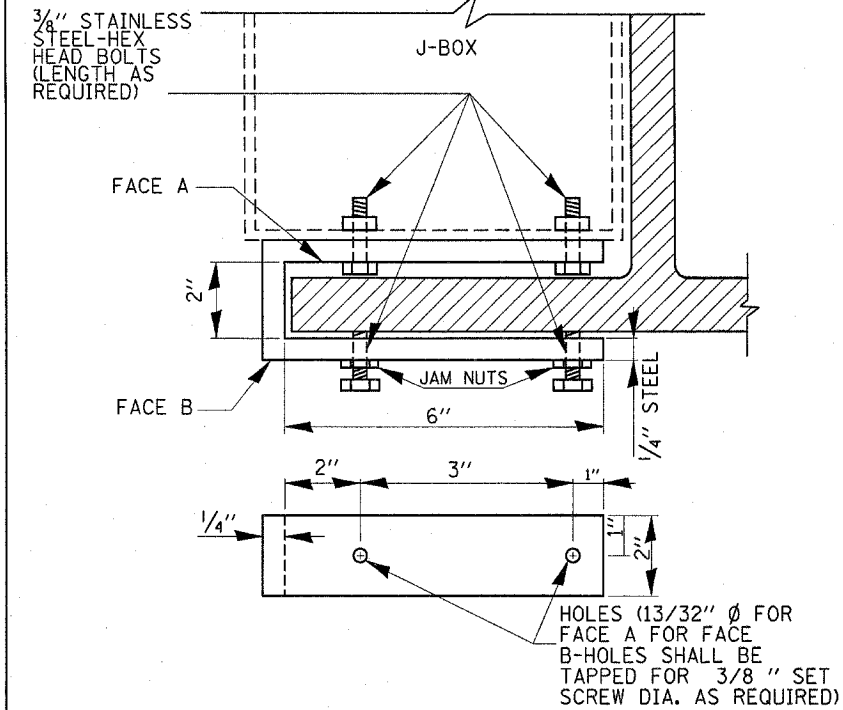


027008.4W.03S(EX.)



NOTE:
ALL MEASUREMENTS ARE ARBITRARY AND
NEED TO BE FIELD VERIFIED

2"-ALUM-ATS-1'
W/VEH. DETECTOR
POWER AND
DATA CABLES



VIEW OF FACE A & B
CHANNEL CLAMP DETAIL D

ALUMINUM JUNCTION BOX
18"x18"x10" ATTACHED
TO STRUCTURE

CONTROL
CABINET FOR
FIBER OPTIC CABLES
AND A 2955 SWITCH

EX. CONTROL
CABINET FOR
027008.4W.03S(EX.)

2"-ALUM-ATS-15'
W/DMS TELEMETRY
CABLES

2-4"-PVCC TYPE C-"T"(EACH)
2-4"-PVCC-SCH40-"ATS"-4"(EACH)
W/72 COND S.M. F.O. CABLE

SECTION A-A'

18" x 18" x 10"
ALUMINUM J-BOX

4" - ALUM - "ATS"

4" - ALUM - "ATS"

CHANNEL CLAMPS
2 REQUIRED PER J-BOX

4" LIQUID TIGHT
FLEXIBLE METAL
CONDUIT

TYPICAL CONDUIT EXPANSION JOINT

FILE NAME =	USER NAME = prestonme	DESIGNED - ---	REVISED - ---
ca:\projects\ed02608\electrical\stapin02608.dgn		DRAWN - ---	REVISED - ---
	PLOT SCALE = 50.0000' / IN.	CHECKED - ---	REVISED - ---
	PLOT DATE = 4/17/2008	DATE - ---	REVISED - ---

STATE OF ILLINOIS
DEPARTMENT OF TRANSPORTATION

TRUSS MOUNTED CONTROLLER CABINET DETAILS

SCALE: _____ SHEET NO. ___ OF ___ SHEETS STA. _____ TO STA. _____

F.A.I. RTE.	SECTION	COUNTY	TOTAL SHEETS	SHEET NO.
*	DIST 8 ITS 2009-1	MADISON	28	9
#255/270	CONTRACT NO. 76B53			
FED. ROAD DIST. NO. [ILLINOIS] FED. AID PROJECT				