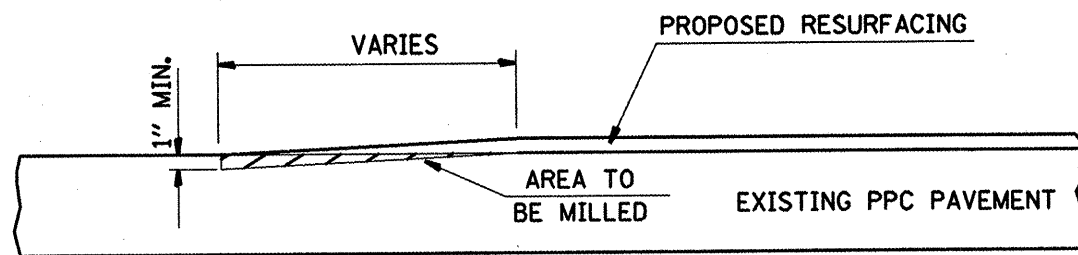
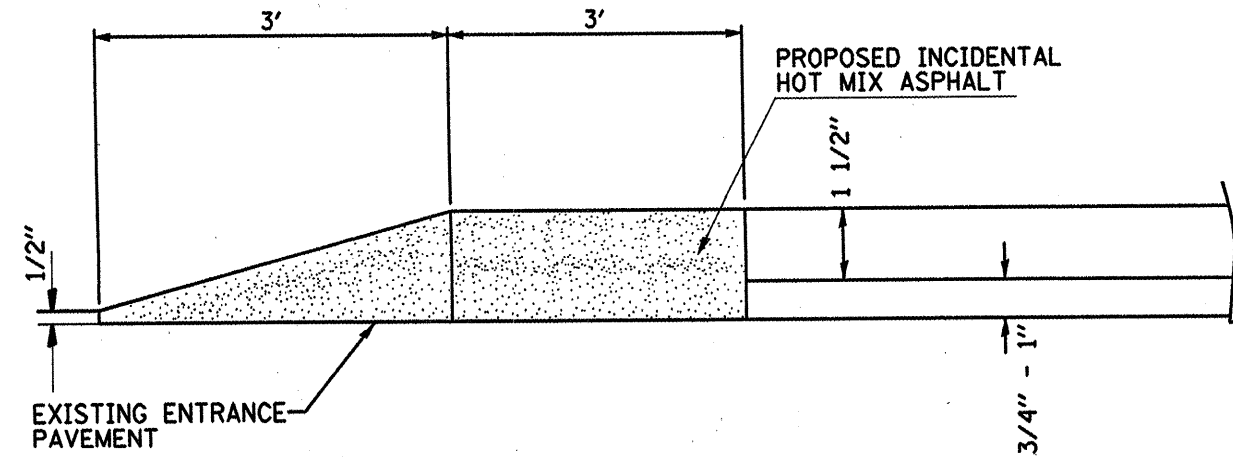


ALONG MAINLINE AND
AT STA. 35+90 LT (IL143)

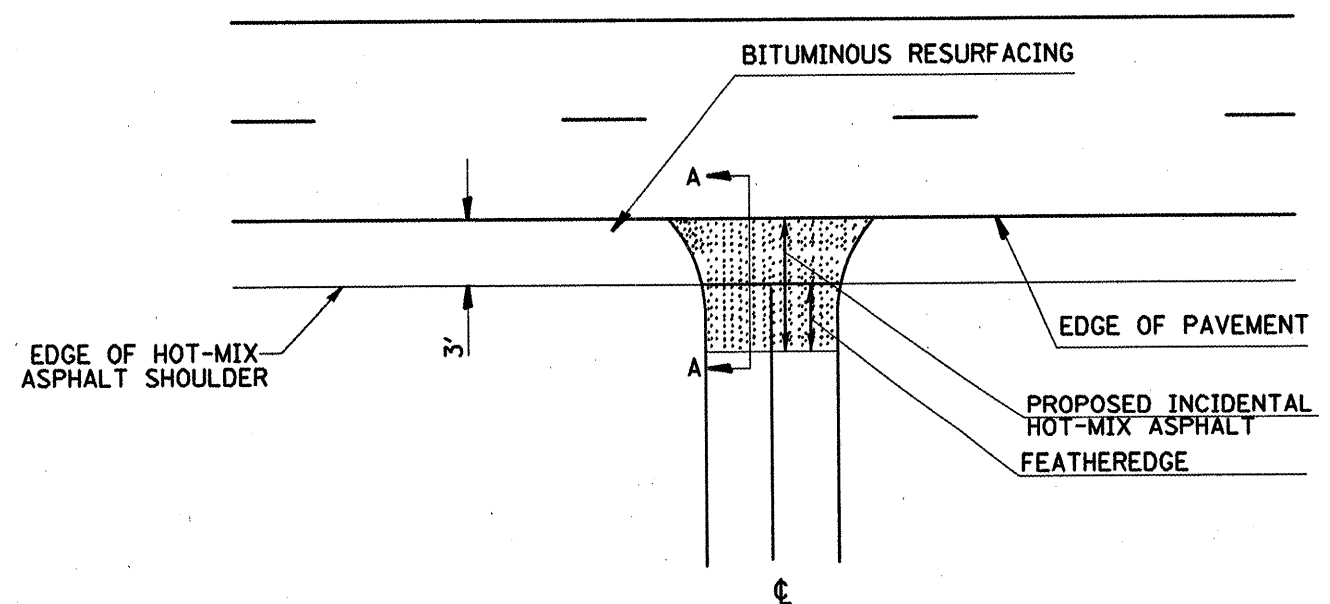


BRIDGE APPROACHES,
STA. 35+98 RT (RICHARDS ROAD)
AND INTERSTATE RAMP

ENTRANCE DETAIL



FEATHEREDGE DETAIL
SECTION A-A



HOT-MIX ASPHALT
ENTRANCE DETAIL

FILE NAME =	USER NAME = alfordb	DESIGNED -	REVISED -
ci\projects\ed04188\plan\pin04188a.dgn		DRAWN -	REVISED -
		CHECKED -	REVISED -
		DATE -	REVISED -

STATE OF ILLINOIS
DEPARTMENT OF TRANSPORTATION

DETAILS			
SCALE:	SHEET NO.	OF SHEETS	STA. TO STA.

F.A.P. RTE.	SECTION	COUNTY	TOTAL SHEETS	SHEET NO.
793	33-IRS-2	MADISON	26	26
CONTRACT NO. 76B68				
FED. ROAD DIST. NO. ILLINOIS FED. AID PROJECT				