

STATE OF ILLINOIS
DEPARTMENT OF TRANSPORTATION

ROUTE NO. F.A.S. 2826	SECTION (110B-1)	COUNTY JEFFERSON	TOTAL SHEETS 44	SHEET NO. 22	SHEET NO. 11 16 SHEETS
FED. ROAD DIST. NO. 7		ILLINOIS	FED. AID PROJECT		

Contract 78013

NOTES

Prestressing steel shall be uncoated high strength, low relaxation 7-wire strand, Grade 270.

The nominal diameter shall be 1/2" and the nominal cross-sectional area shall be 0.153 sq. in.

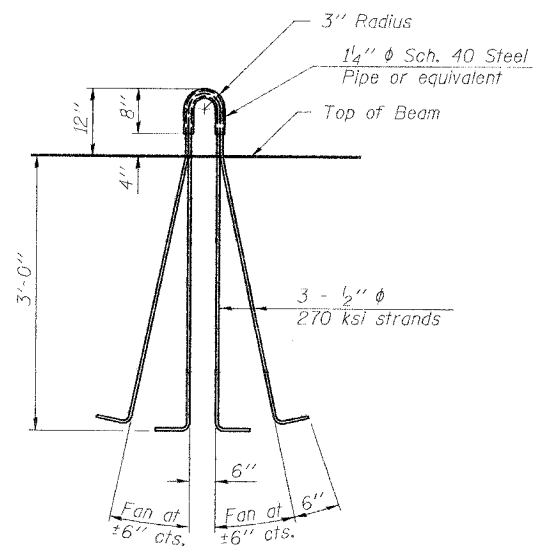
Non-prestressing steel shall conform to ASTM A 706 (IL MOD), Grade 60.

A minimum 2 1/2" diameter lifting pin shall be used to engage the lifting loops during handling.

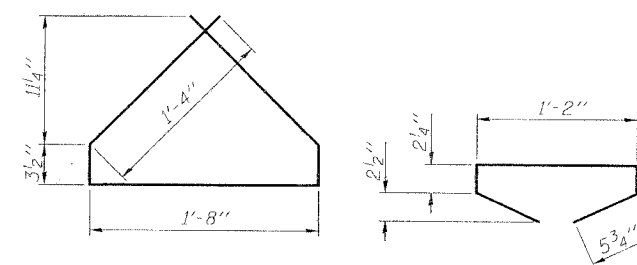
The bottom plates and studs shall be galvanized according to AASHTO M111.

Threaded rods shall be ASTM F 1554 Grade 55.

All embedded and separate bearing plates, side retainers, anchor bolts, nuts, washers and pintles shall be galvanized according to AASHTO M111 or M232 (as applicable).



LIFTING LOOP DETAIL

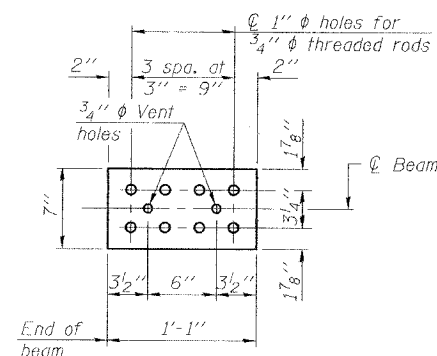


BAR G4

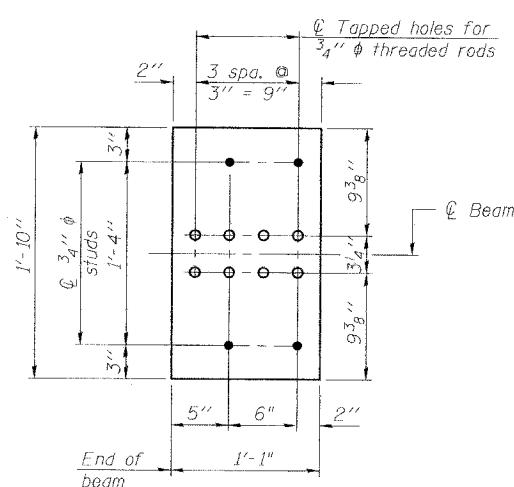
BAR G5

BILL OF MATERIAL

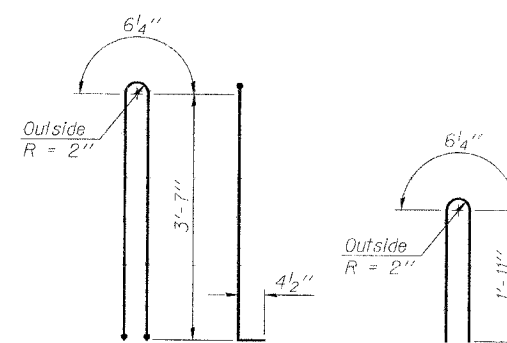
Item	Unit	Total
Furnishing and Erecting Precast Prestressed Concrete I-Beams, 42"	ft.	418



TOP PLATE



BOTTOM PLATE



BAR G1

BAR G2

DESIGNED	CMF
CHECKED	KCM
DRAWN	JLM
CHECKED	TMM

42" PPC I-BEAM DETAILS
IL ROUTE 37 OVER LIMESTONE CREEK
F.A.S. ROUTE 2826 SECTION 110B-1
JEFFERSON COUNTY
STA. 836+80
S.N. 041-0107

McDonough-Whitlow, P.C.
Consulting Engineers & Land Surveyors
138 East Wood Street
Hillsboro, IL 62049
Phone: 217.532.9233
Fax: 217.532.6300
PROFESSIONAL DESIGN No. 184-002754