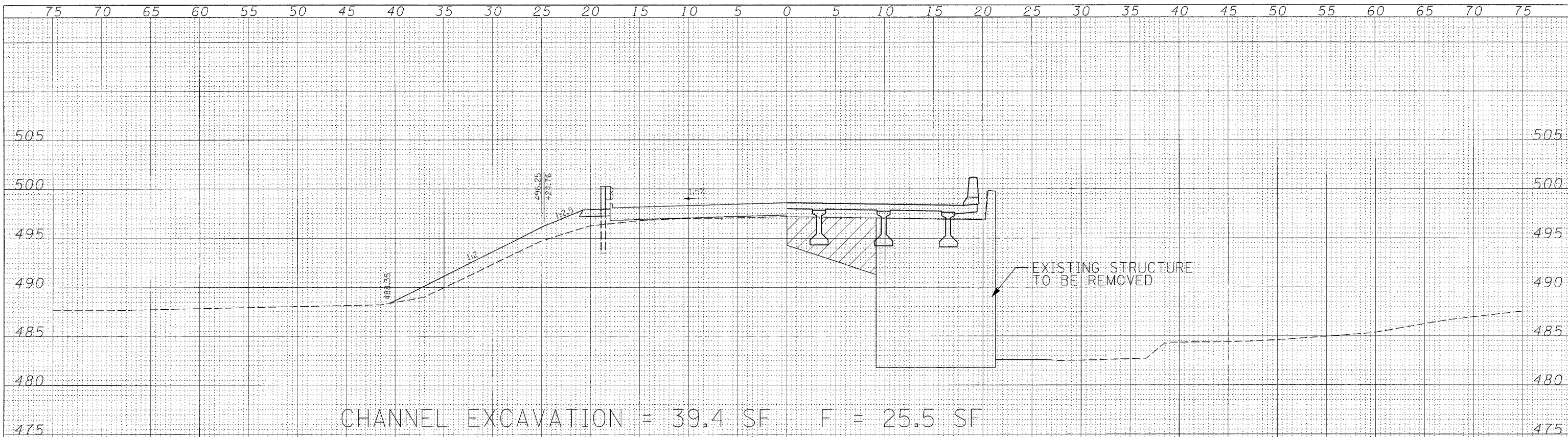
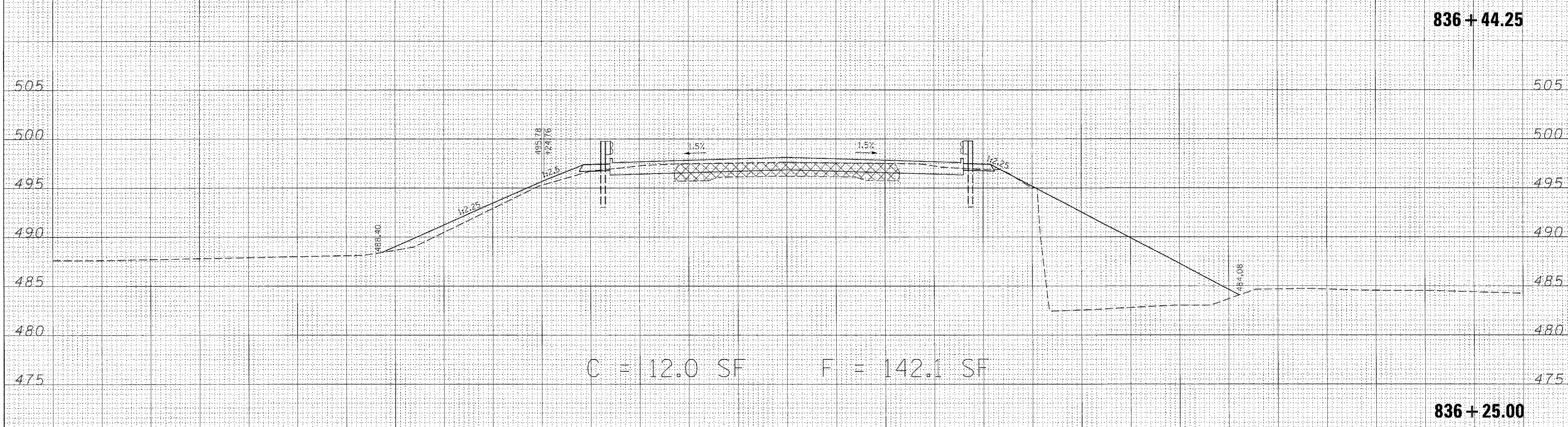


DATE	
BY	
FINAL SURVEY	
SURVEYED	
PLOTTED	
NOTE BOOK	
AREAS CHECKED	
NO.	



836 + 44.25

DATE	
BY	
ORIGINAL SURVEY	
SURVEYED	
PLOTTED	
NOTE BOOK	
AREAS CHECKED	
NO.	



836 + 25.00

FILE NAME =
 P:\06E1711-3\1007-Dist7-Var-Var\Design\Plans\28-44-limestone xsections.dgn

USER NAME = #USER#
 DESIGNED -
 DRAWN -
 CHECKED -
 DATE -

DESIGNED -
 DRAWN -
 CHECKED -
 DATE -

REVISED -
 REVISED -
 REVISED -
 REVISED -

**STATE OF ILLINOIS
 DEPARTMENT OF TRANSPORTATION**

CROSS SECTIONS

SCALE: SHEET NO. 35 OF 44 SHEETS STA. 836+25.00 TO STA. 836+44.25

F.A. RTE.	SECTION	COUNTY	TOTAL SHEETS	SHEET NO.
2826	(110)B-1	JEFFERSON	44	35
FED. ROAD DIST. NO. ILLINOIS FED. AID PROJECT			CONTRACT NO. 78013	