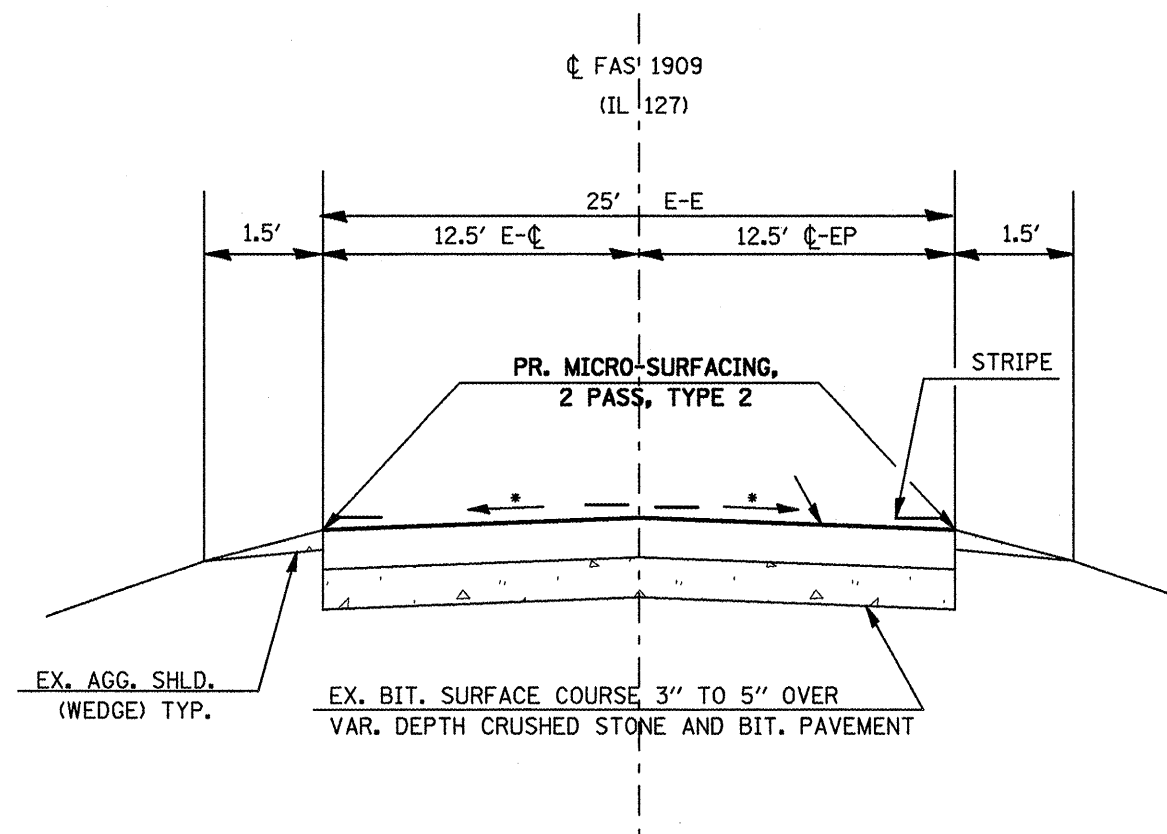


F.A.I. RTE.	SECTION	COUNTY	TOTAL SHEETS	SHEET NO.
*	**	***	22	9
STA. _____		TO STA. _____		
FED. ROAD DIST. NO. _____		ILLINOIS FED. AID PROJECT _____		

- * FAS 1909 & FAP 322
- ** D9 PAVEMENT PRESERVATION FY08
- *** JACKSON AND UNION COUNTIES

FAS 1909 (IL 127)
TYPICAL
LOCATION 3



*MATCH EXISTING SLOPE.

TO BE USED:

- STA. 335+53 TO STA. 344+07.40 (854.4')
- STA. 6+06.70 TO STA. 79+77.70 (7371.0')
- STA. 80+07.70 TO STA. 138+96.20 (5888.5')
- STA. 139+83.10 TO STA. 227+32 (8748.9')

EQUATION STATIONS:

- EQ. STA. 344+07.40 (BK.) = STA. 6+06.70 (AH.)
- EQ. STA. 79+77.70 (BK.) = STA. 80+07.70 (AH.)
- EQ. STA. 138+96.20 (BK.) = STA. 139+83.10 (AH.)

ILL. 127 TOTAL LENGTH = 22,862.8' = 4.33 MILES

DATE = 10/27/2007
FILE NAME = c:\pwworkspace\1004887\msc.dgn
PLOT SCALE = 1/8"=1'-0"
USER NAME = msc