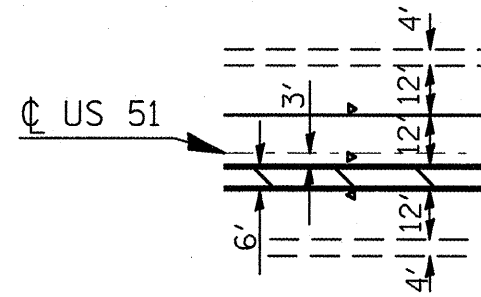


F.A.I. RTE.	SECTION	COUNTY	TOTAL SHEETS	SHEET NO.
2	22	JACKSON	22	17
STA. 1000+00 TO STA. 1010+44				
FED. ROAD DIST. NO. 1 ILLINOIS FED. AID PROJECT				

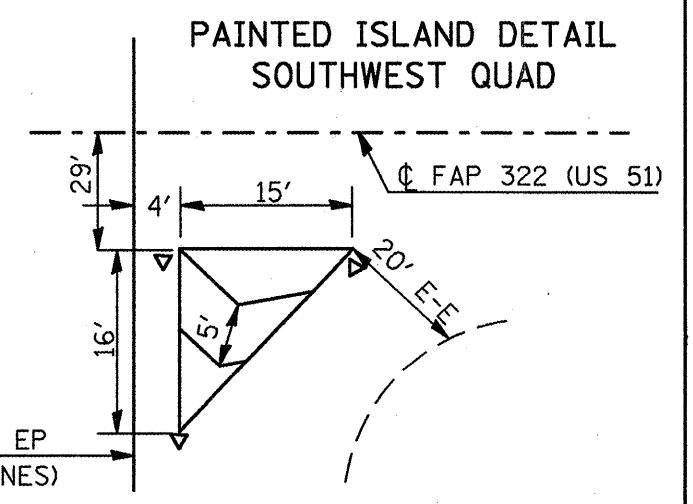
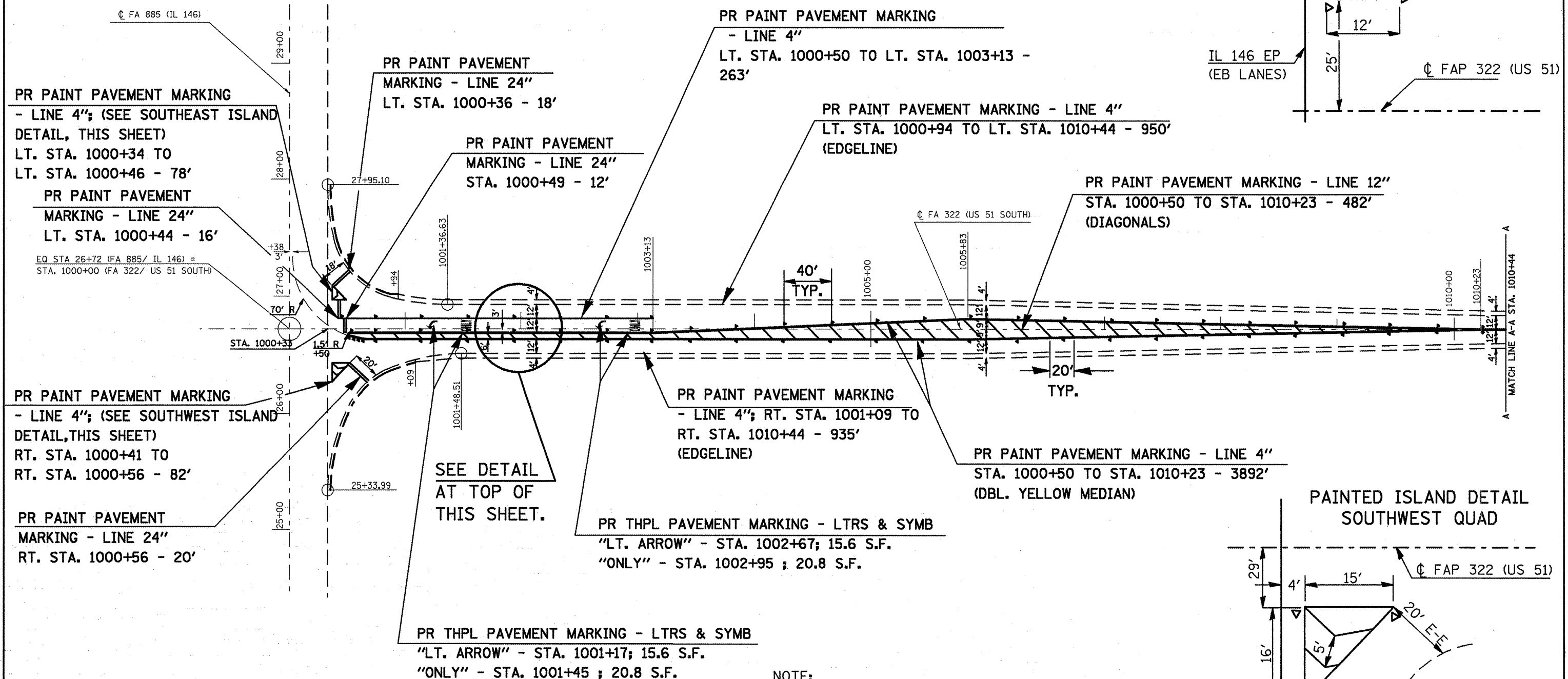
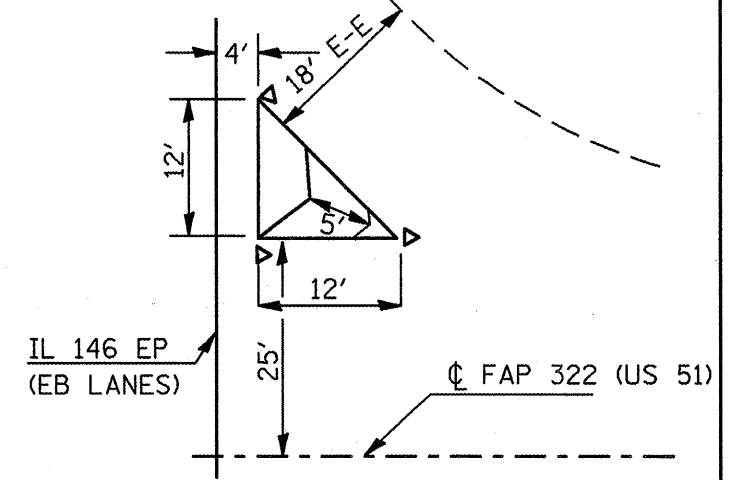
- FAS 1909 & FAP 322
- D9 PAVEMENT PRESERVATION FY08
- JACKSON AND UNION COUNTIES

DETAIL OF LANE WIDTHS



PAVEMENT MARKING DETAIL
FAP 322 (US 51) LOCATION 1
STA. 1000+33 TO STA. 1010+44

PAINTED ISLAND DETAIL
SOUTHEAST QUAD



PLOT DATE = 1/24/2008
 PLOT SCALE = 1" = 40'
 PLOT USER = mrc