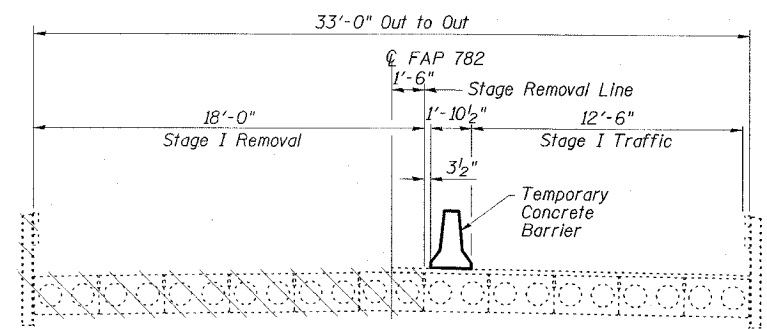
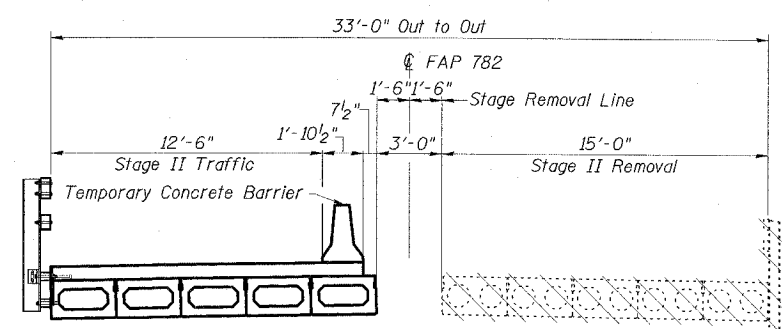


STATE OF ILLINOIS  
DEPARTMENT OF TRANSPORTATION

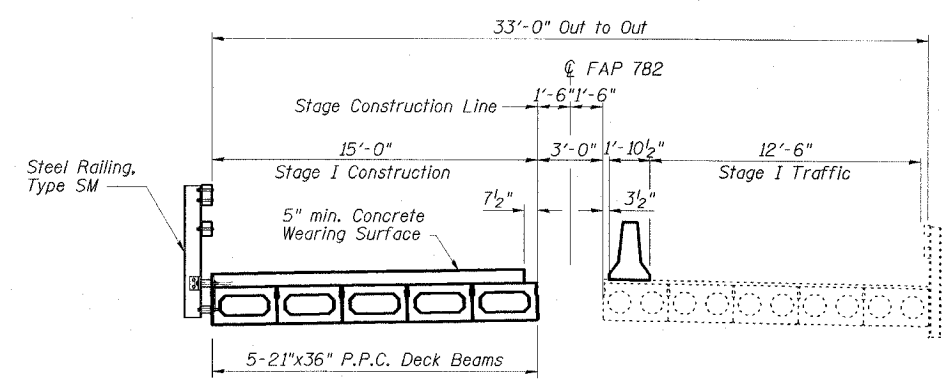
ROUTE NO.	SECTION	COUNTY	SHEET	SHEET NO.
FAP 782	110BR-1	WHITE	73	48
FED. ROAD DIST. NO. 4		ILLINOIS	FED. AID PROJECT	
78027				



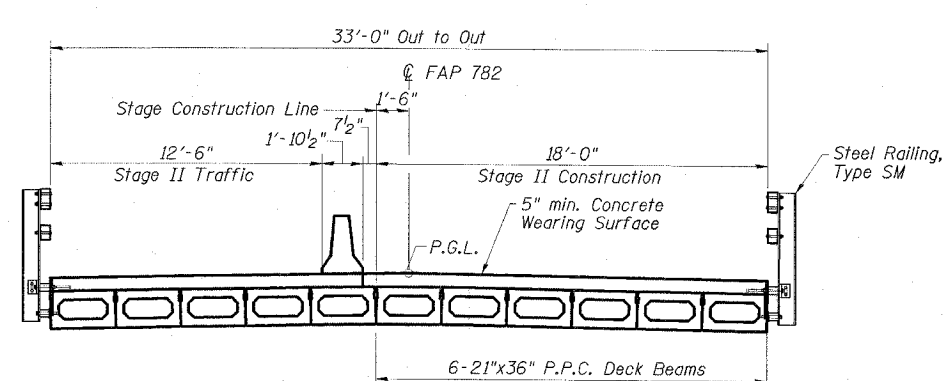
STAGE I REMOVAL



STAGE II REMOVAL



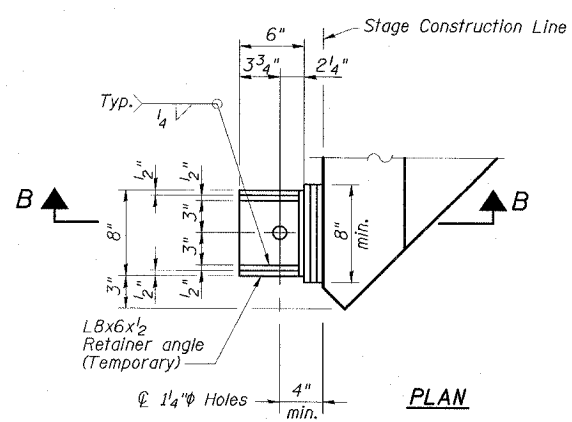
STAGE I CONSTRUCTION



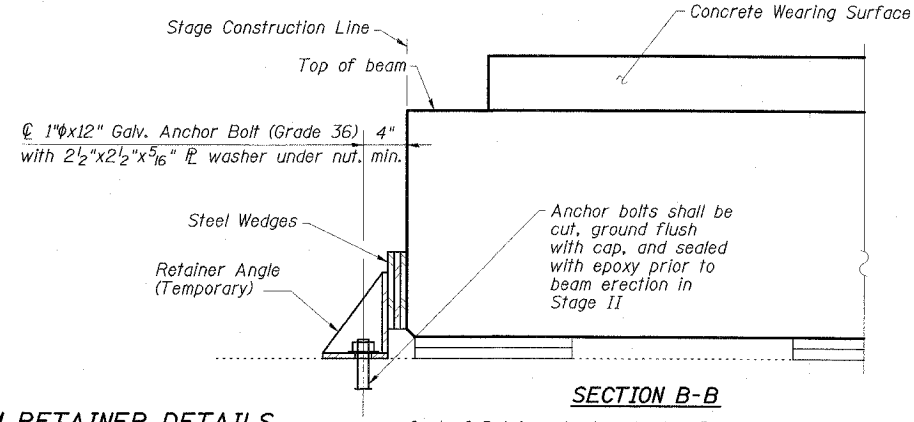
STAGE II CONSTRUCTION

STAGE CONSTRUCTION NOTES

1. All staging sections are looking South.
2. See Dwg. No. 5 of 17 for shear key clamping details.
3. For quantity of Temporary Concrete Barrier, see Roadway Plans.



PLAN



SECTION B-B

BEAM RETAINER DETAILS  
AT STAGE CONSTRUCTION LINE  
(1 Required at South Abutment)

Cost of Retainer Angles, Anchor Bolts & accessories is included with Precast Prestressed Concrete Deck Beams.

STAGE CONSTRUCTION DETAILS  
IL 1 OVER INDIAN CREEK  
FAP ROUTE 782 - SECTION 110BR-1  
WHITE COUNTY  
STATION 85+28.00  
STRUCTURE NO. 097-0026

**ESCA**  
CONSULTANTS, INC.

DESIGNED BY:	DAJ	09/07
DRAWN BY:	HAS	09/07
CHECKED BY:	JMS/ELH	02/08
APPROVED BY:	RDP	02/08