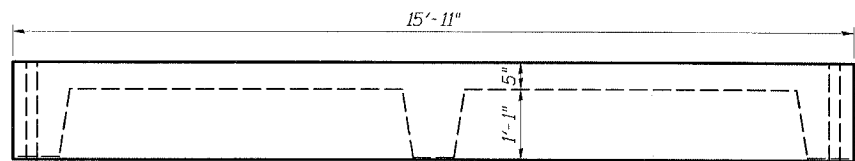
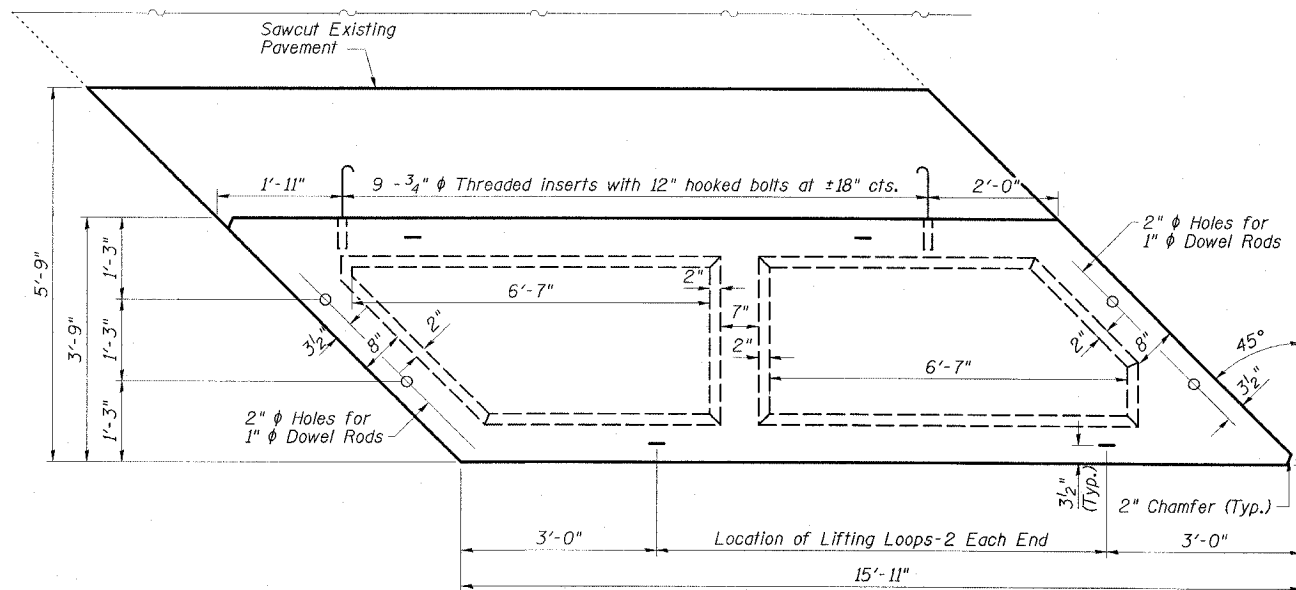


STATE OF ILLINOIS
DEPARTMENT OF TRANSPORTATION

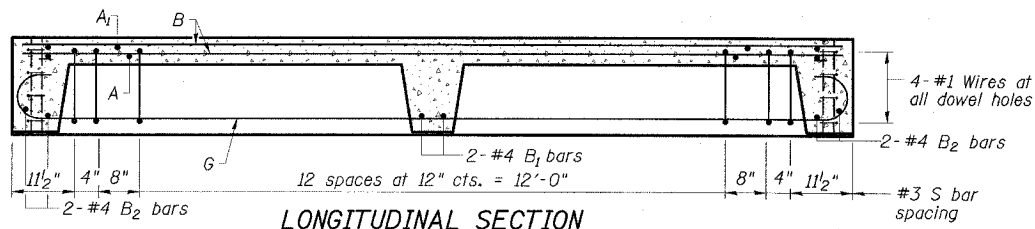
ROUTE NO.	SECTION	COUNTY	SHEETS	SHEET	SHEET NO. 8 17 SHEETS
FAP 782	110BR-1	WHITE	73	53	
FIG. ROAD SHEET NO. 4		ILLINOIS	FED. AID PROJECT		



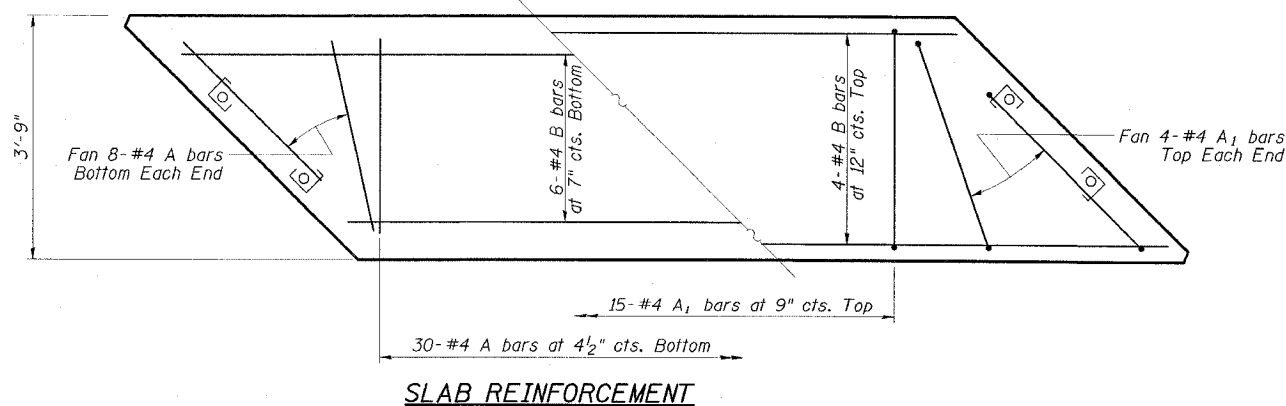
ELEVATION



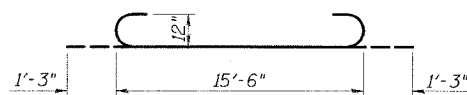
PARTIAL PLAN OF APPROACH
(CWS not shown)



LONGITUDINAL SECTION



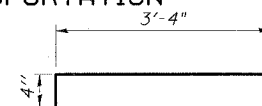
SLAB REINFORCEMENT



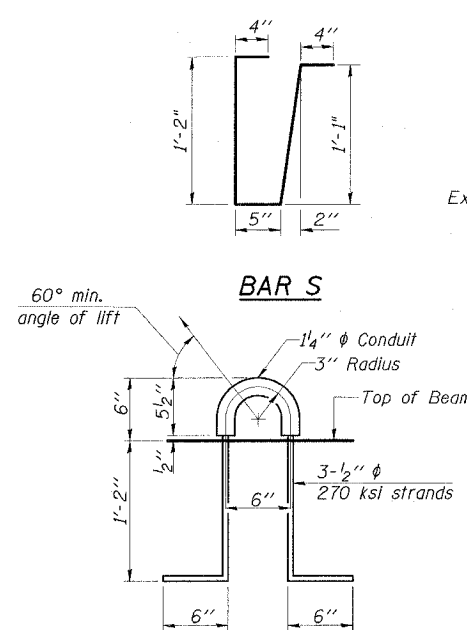
BAR G



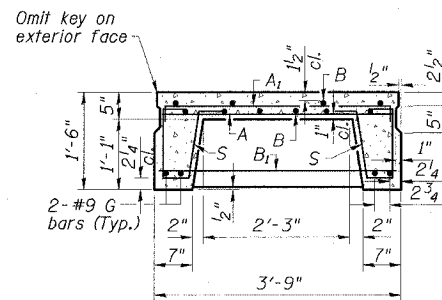
FABRIC BEARING PAD



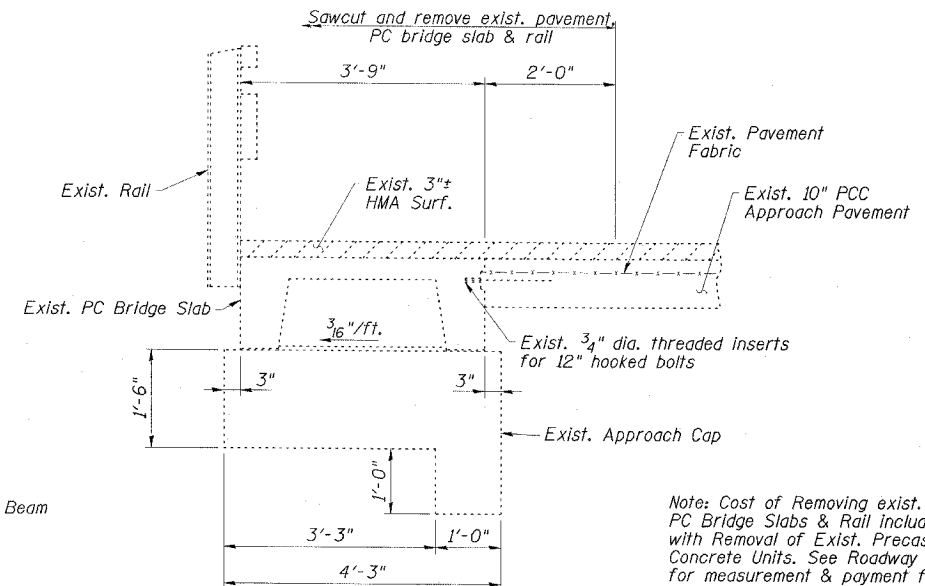
BAR A1



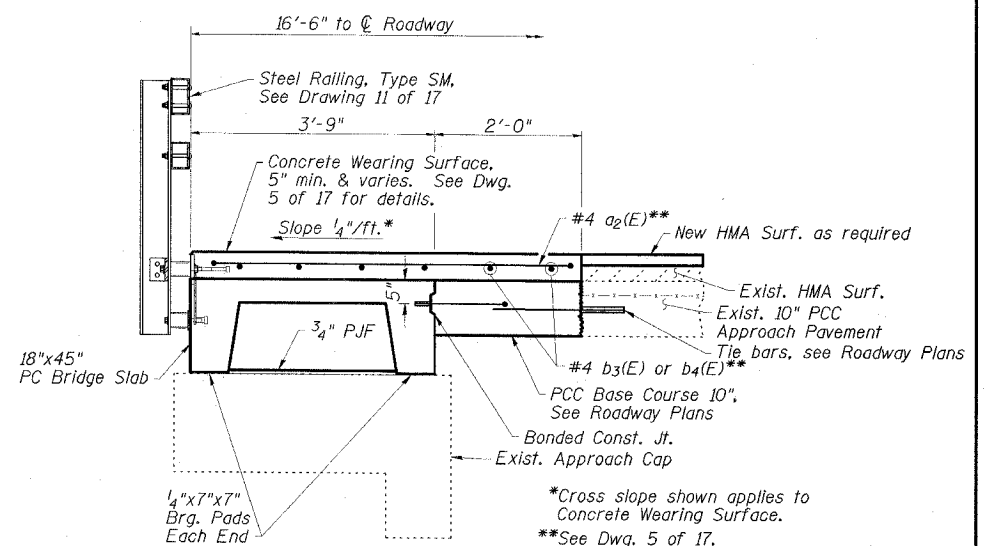
LIFTING LOOP DETAIL



SECTION THRU PRECAST UNIT



EXISTING CROSS SECTION



PROPOSED CROSS SECTION

NOTES

Reinforcing steel shall conform to ASTM A 706 (IL MOD), Grade 60.
The bearing seat surfaces shall be adjusted by shimming to assure firm and even bearing. Two 1/8" fabric adjusting shims of the dimensions of the Bearing Pad shall be provided for each bearing pad location.
Keyway surfaces shall be cleaned to remove form oil or other bond breaking material prior to shipment of the slabs. Cleaning shall be done by sandblasting the keyway areas between top of the slab and the bottom edge of the key.
Corrosion Inhibitor, per Article 1020.05(b)(12) of the Standard Specifications, shall be used in the concrete for precast concrete bridge slabs.
Required Strength, f'c, shall be 4500 p.s.i.
See Dwg. No. 2 of 17 for location of rail anchors and additional notes.
Cost of reinforcement and accessories cast into the slab unit, bearing pads, furnishing, drilling for, placing and grouting anchor rods and 3/4" hooked bolts is included in contract Unit Price for "Precast Concrete Bridge Slab."
The Precast Concrete Bridge Slab shall be erected and aligned with the exterior face of the exterior Deck Beam after Deck Beams are in final position.
A minimum 2 1/2" lifting pin shall be used to engage the lifting loops during handling.

BILL OF MATERIAL

Item	Unit	Quantity
Precast Concrete Bridge Slab	Sq. Ft.	120

APPROACH DETAILS
IL 1 OVER INDIAN CREEK
FAP ROUTE 782 - SECTION 110BR-1
WHITE COUNTY
STATION 85+28.00
STRUCTURE NO. 097-0026

ESCA
CONSULTANTS, INC.
DESIGNED BY: DAJ 09/07
DRAWN BY: HAS 09/07
CHECKED BY: JMS/ELH 02/08
APPROVED BY: RDP 02/08