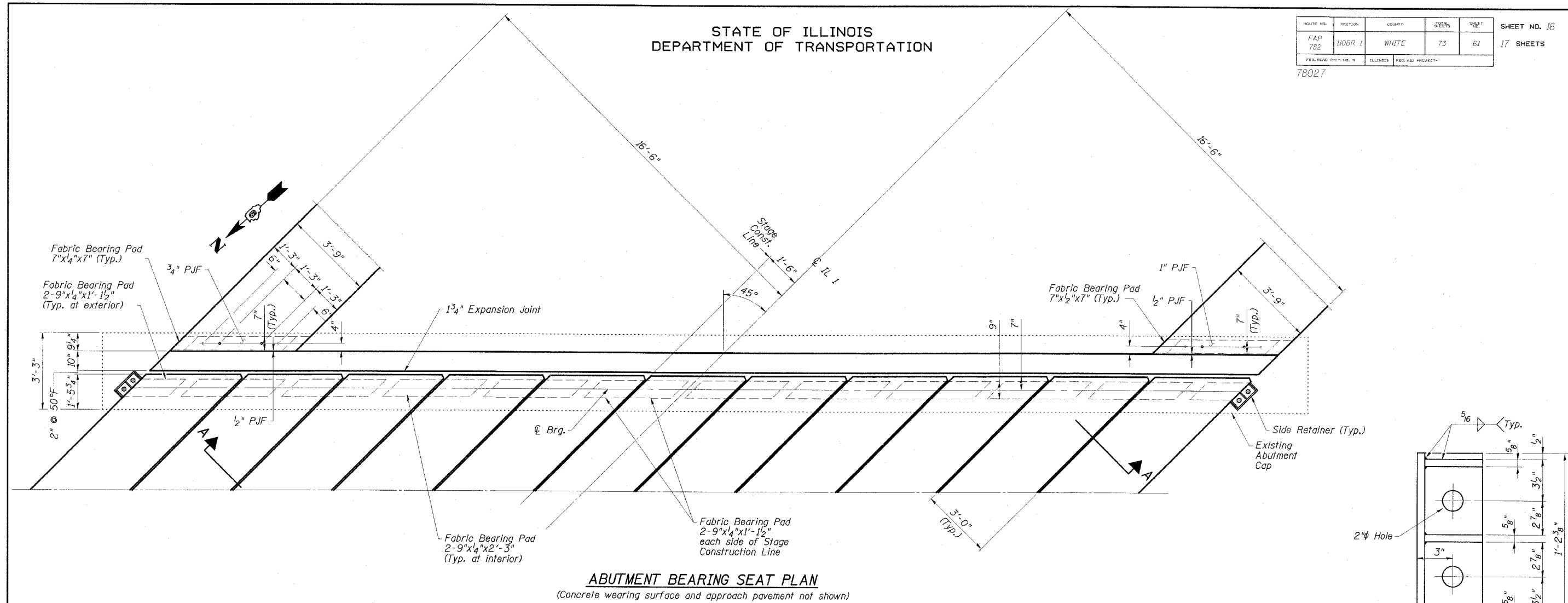


STATE OF ILLINOIS
DEPARTMENT OF TRANSPORTATION

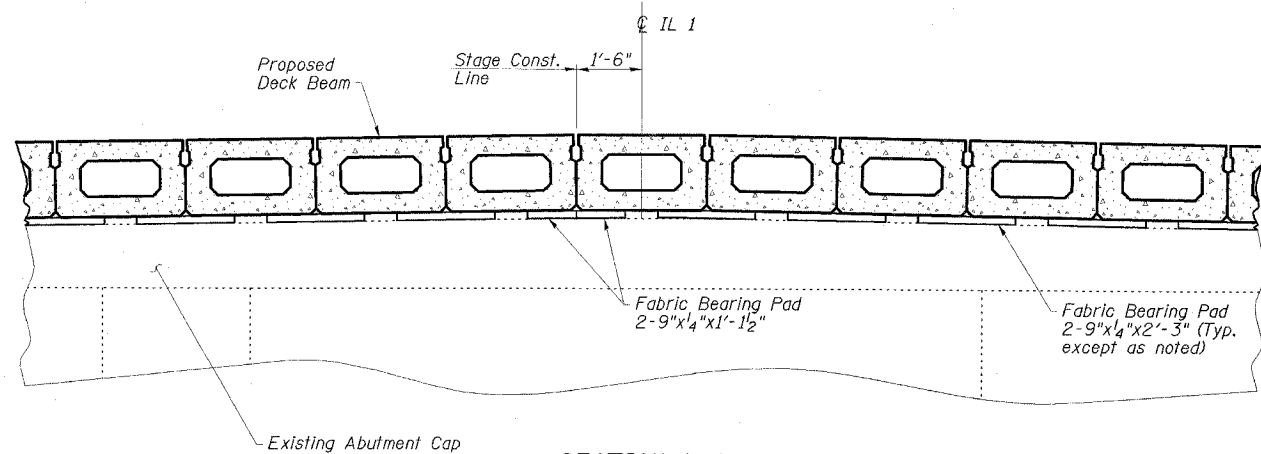
ROUTE NO.	SECTION	COUNTY	SHEETS	SHEET	SHEET NO. 16 17 SHEETS
FAP 782	110BR-1	WHITE	73	61	
FED. ROAD DIST. NO. 1		ILLINOIS	FED. AID PROJECT		

78027



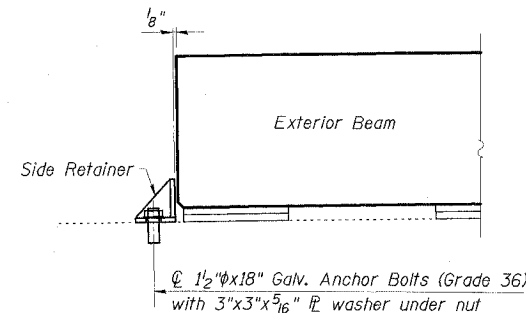
ABUTMENT BEARING SEAT PLAN

(Concrete wearing surface and approach pavement not shown)



SECTION A-A

(Concrete wearing surface and approach pavement not shown)



EXTERIOR BEAM RETAINER DETAILS

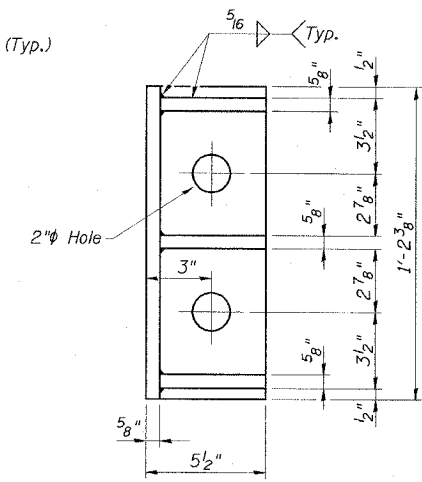
(2 Required)

Cost of Retainer Angles, Anchor Bolts & accessories are included with Precast Prestressed Concrete Deck Beams.

Fill 1/8" gap with shim \bar{E} to provide temporary lateral support until shear keys have been grouted and concrete wearing surface has been placed.

Anchor bolts shall be ASTM F1554 all-thread (or an Engineer-approved alternate material) of the grade(s) and diameter(s) specified. ASTM A307 Grade C anchor bolts may be used in lieu of ASTM F1554 Grade 36 (Fy=36ksi). The corresponding specified grade of AASHTO M314 anchor bolts may be used in lieu of ASTM F1554.

Drilled and set anchor bolts shall be installed according to Article 521.06 of the Standard Specifications.



SIDE RETAINER

Equivalent rolled angle with stiffeners will be allowed in lieu of welded plates.

SOUTH ABUTMENT DETAILS
IL 1 OVER INDIAN CREEK
FAP ROUTE 782 - SECTION 110BR-1
WHITE COUNTY
STATION 85+28.00
STRUCTURE NO. 097-0026

ESCA
CONSULTANTS, INC.

DESIGNED BY:	DAJ	09/07
DRAWN BY:	HAS	09/07
CHECKED BY:	JMS/ELH	02/08
APPROVED BY:	RDP	02/08