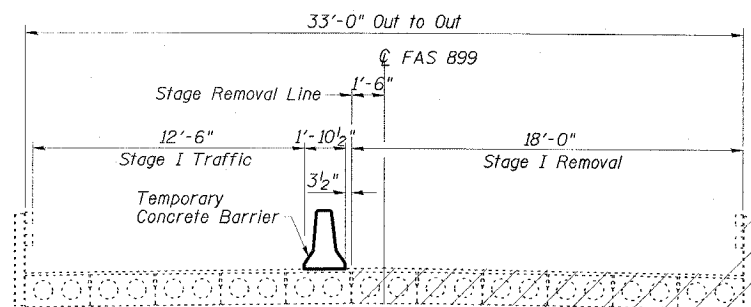


STATE OF ILLINOIS
DEPARTMENT OF TRANSPORTATION

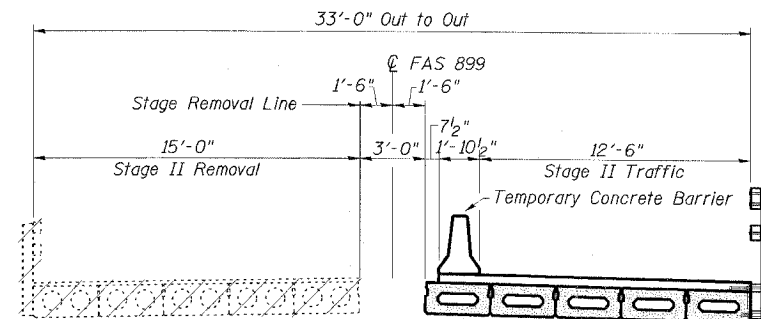
ROUTE NO.	SECTION	COUNTY	SHEET NO.	SHEET NO.
FAS 899	8BR-1	SALINE	75	18
FED. ROAD DIST. NO. 4		ILLINOIS FED. AID PROJECT		

78028

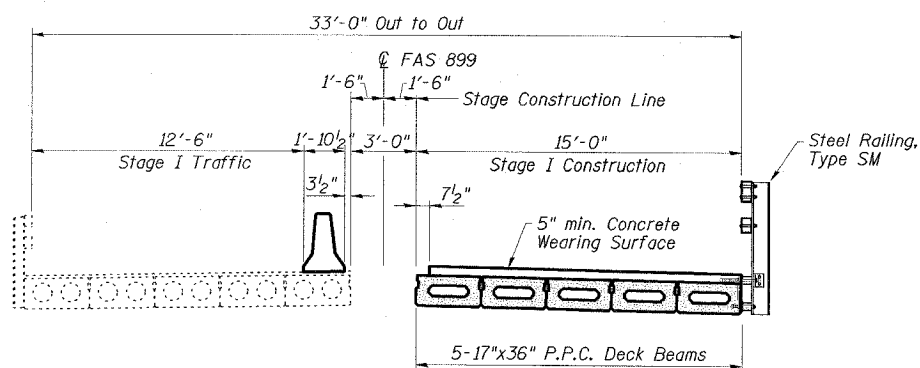
13 SHEETS



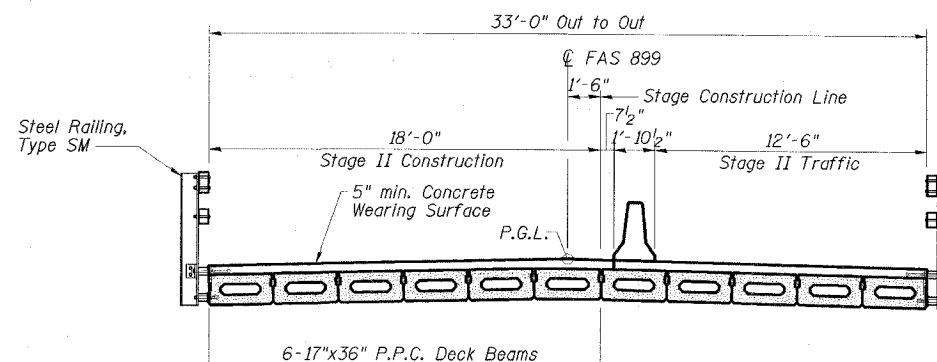
STAGE I REMOVAL



STAGE II REMOVAL



STAGE I CONSTRUCTION



STAGE II CONSTRUCTION

STAGE CONSTRUCTION NOTES

1. All staging sections are looking East.
2. See Dwg. No. 5 of 13 for shear key clamping details.
3. For quantity of Temporary Concrete Barrier, see Roadway Plans.

ESCA
CONSULTANTS, INC.

DESIGNED BY:	JMS	09/07
DRAWN BY:	CJ	09/07
CHECKED BY:	DAJ/ELH	01/08
APPROVED BY:	RDP	01/08

STAGE CONSTRUCTION DETAILS
OLD IL 13 OVER POSSUM TAIL BRANCH
FAS ROUTE 899 - SECTION 8BR-1
SALINE COUNTY
STATION 664+15.00
STRUCTURE NO. 083-0035