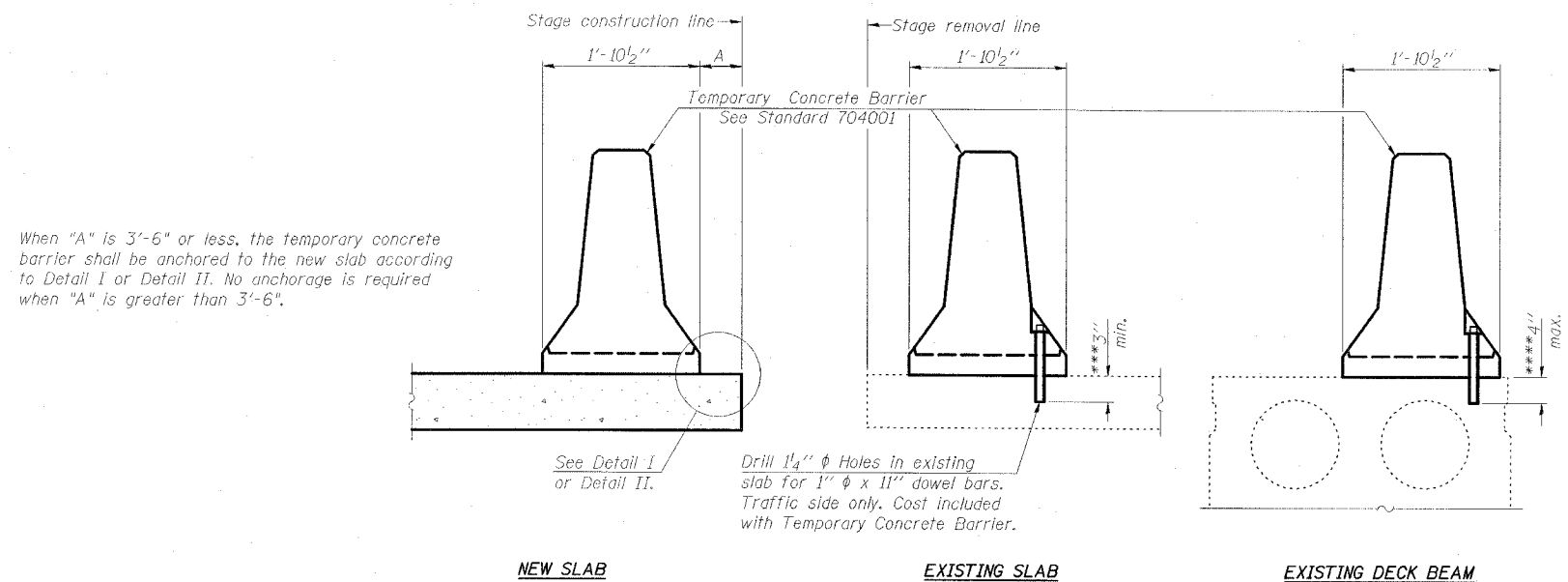


STATE OF ILLINOIS
DEPARTMENT OF TRANSPORTATION

ROUTE NO.	SECTION	COUNTY	SHEETS	SHEET
FAS 899	BBR-1	SALINE	75	19
FED. ROAD DIST. NO. 9		ILLINOIS	FED. AID PROJECT	

78028

SHEET NO. 4
13 SHEETS



NOTES

Detail I - With Bar Splicer or Couplers:
Connect one (1) 1"x7"x10" steel \bar{P} to the top layer of couplers with 2- $\frac{5}{8}$ " ϕ bolts screwed to coupler at approximate \bar{C} of each barrier panel.

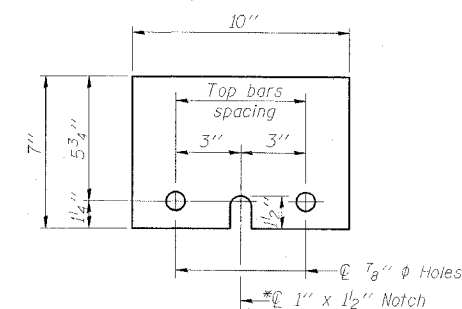
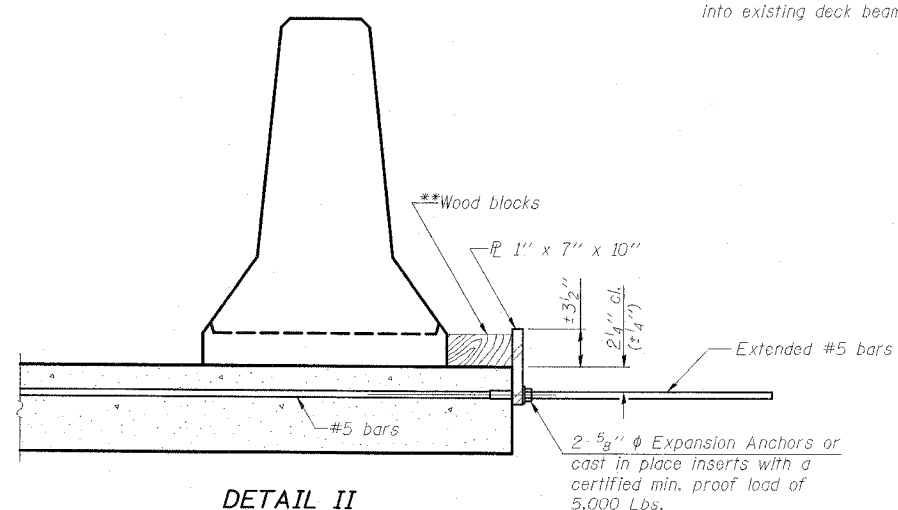
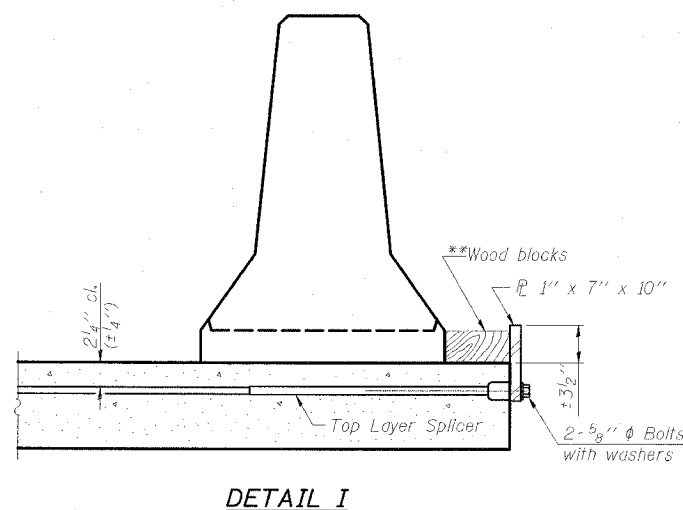
Detail II - With Extended Reinforcement Bars:
Connect one (1) 1"x7"x10" steel \bar{P} to the concrete slab or concrete wearing surface with 2- $\frac{5}{8}$ " ϕ Expansion Anchors or cast in place inserts spaced between the top layer of reinforcement at approximate \bar{C} of each barrier panel.

Cost of anchorage is included with Temporary Concrete Barrier. The 1" x 7" x 10" plate shall not be removed until stage II construction forms and all reinforcement bars are in place and the concrete is ready to be placed.

SECTIONS THRU SLAB OR DECK BEAM

***Dimension shown is minimum required embedment into concrete.
If hot-mix asphalt wearing surface is present, minimum embedment shall be in addition to wearing surface depth.

****If existing deck beam is to remain in place after stage construction, embedment shall only be into wearing surface and not into existing deck beam concrete.



STEEL RETAINER \bar{P} 1" x 7" x 10"
* Required only with Detail II

**Wood blocks may be omitted when required to provide minimum stage traffic lane width. When the wood blocks are omitted, the concrete barrier shall be in direct contact with the steel retainer plate.

ESCA
CONSULTANTS, INC.

DESIGNED BY:	JMS	09/07
DRAWN BY:	CJ/HAS	09/07
CHECKED BY:	DAJ/ELH	01/08
APPROVED BY:	RDP	01/08

R-27

9-3-07

**TEMPORARY CONCRETE BARRIER
FOR STAGE CONSTRUCTION
OLD IL 13 OVER POSSUM TAIL BRANCH
FAS ROUTE 899 - SECTION 8BR-1
SALINE COUNTY
STATION 664+15.00
STRUCTURE NO. 083-0035**