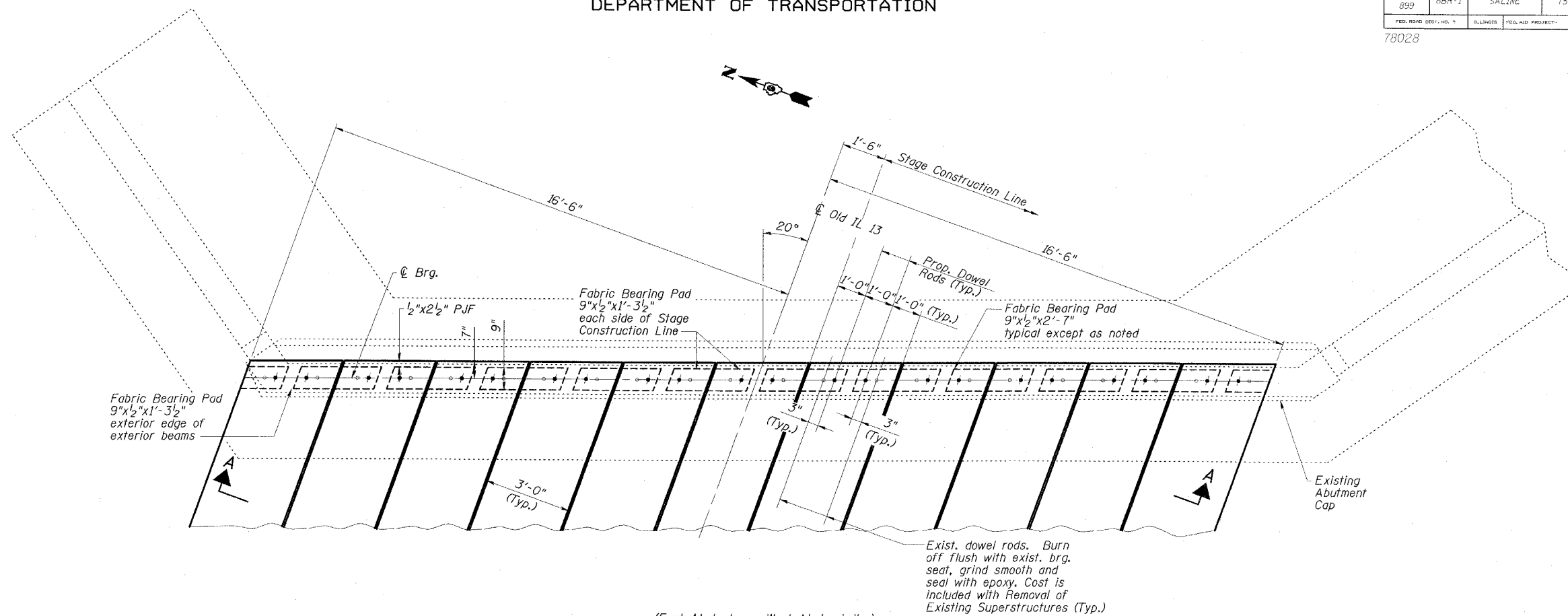


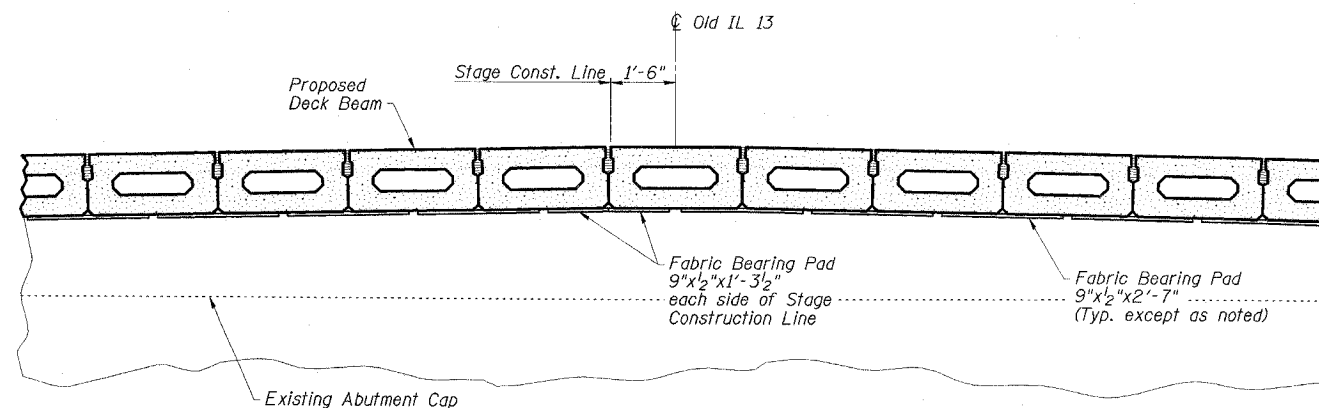
STATE OF ILLINOIS  
DEPARTMENT OF TRANSPORTATION

ROUTE NO.	SECTION	COUNTY	TOTAL SHEETS	SHEET	SHEET NO. 12 13 SHEETS
FAS 899	BBR-1	SALINE	75	27	
FED. ROAD DIST. NO. #		ILLINOIS	FED. AID PROJECT #		

78028



(East Abut shown; West Abut. similar)  
**ABUTMENT BEARING SEAT PLAN**  
(Concrete wearing surface and approach pavement not shown)



**SECTION A-A**  
(Concrete wearing surface not shown)

**ABUTMENT DETAILS**  
**OLD IL 13 OVER POSSUM TAIL BRANCH**  
**FAS ROUTE 899 - SECTION BBR-1**  
**SALINE COUNTY**  
**STATION 664+15.00**  
**STRUCTURE NO. 083-0035**

<b>ESCA</b> CONSULTANTS, INC.		
DESIGNED BY:	JMS	09/07
DRAWN BY:	CJ/HAS	09/07
CHECKED BY:	DAJ/ELH	01/08
APPROVED BY:	RDP	01/08