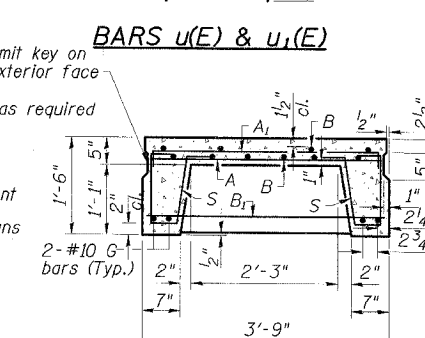
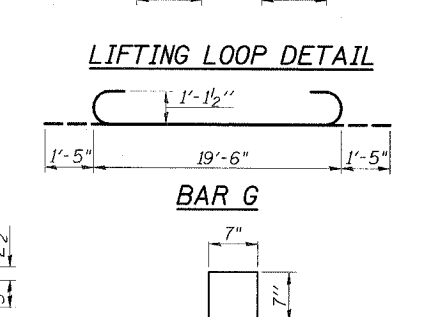
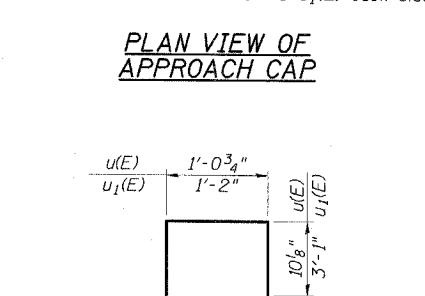
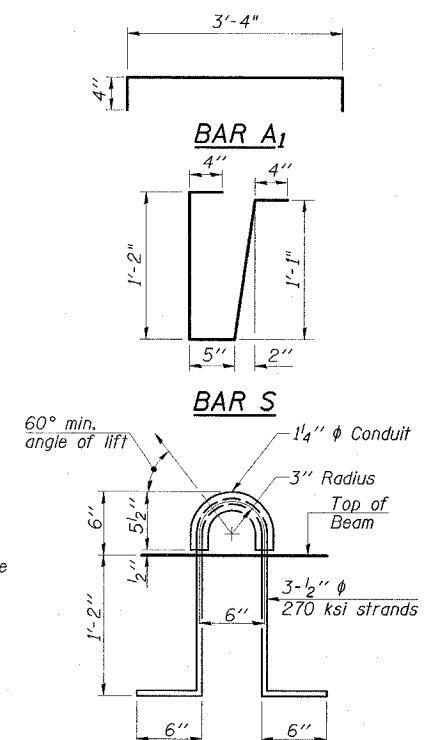
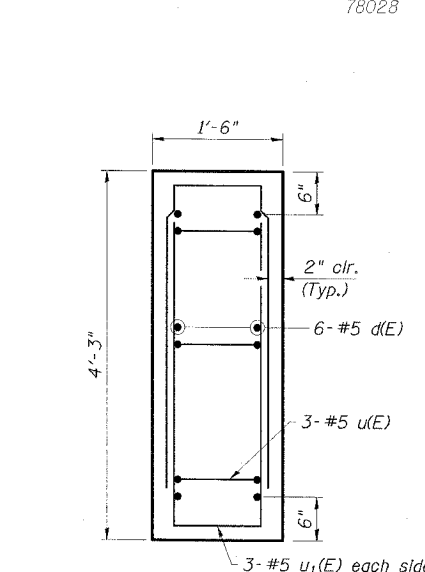
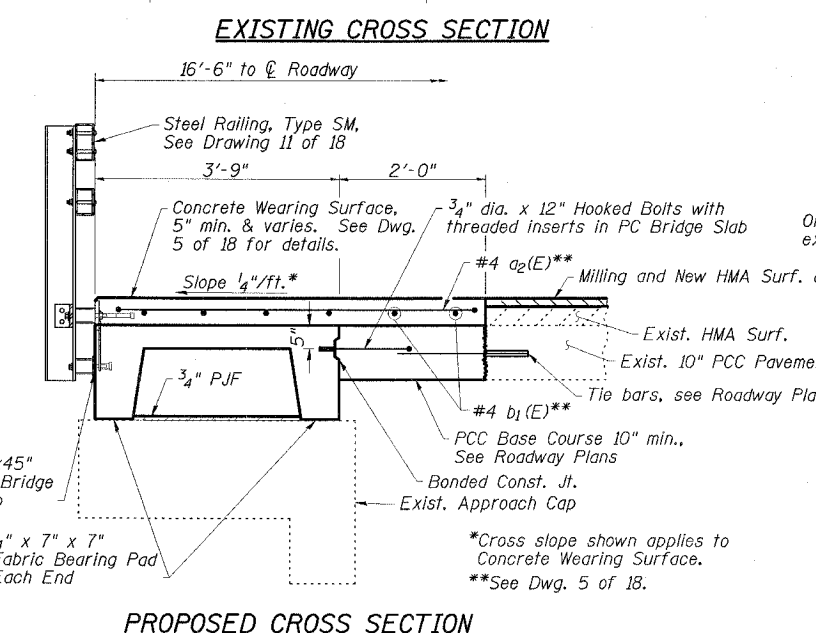
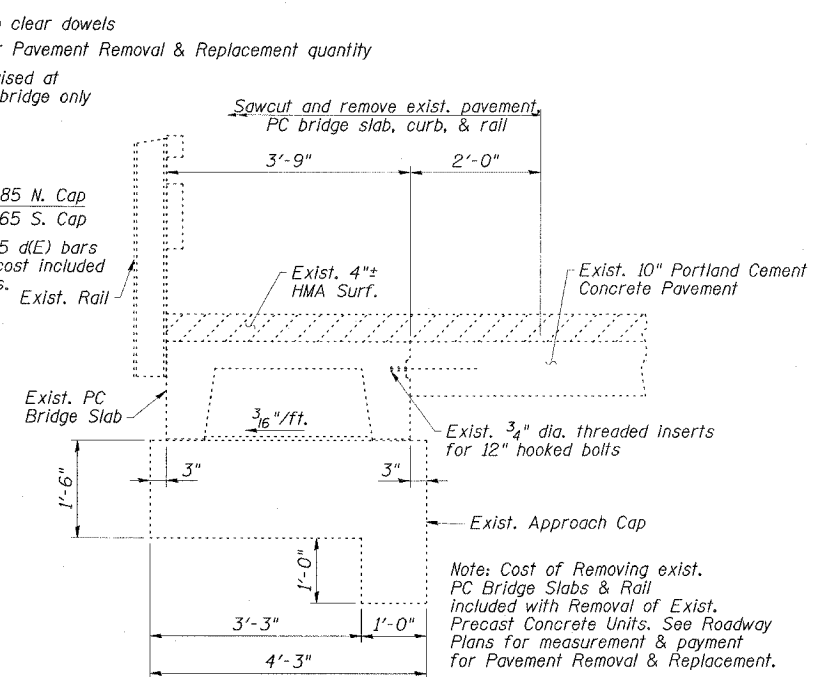
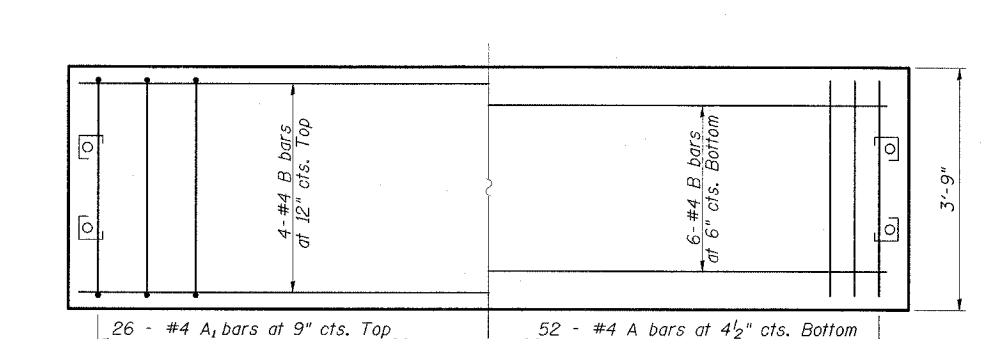
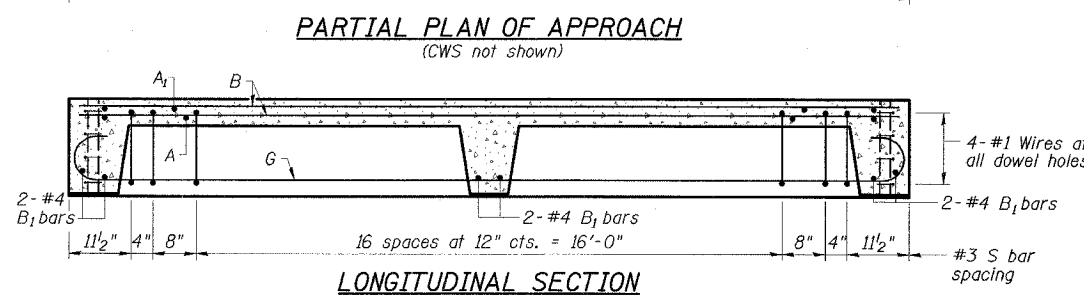
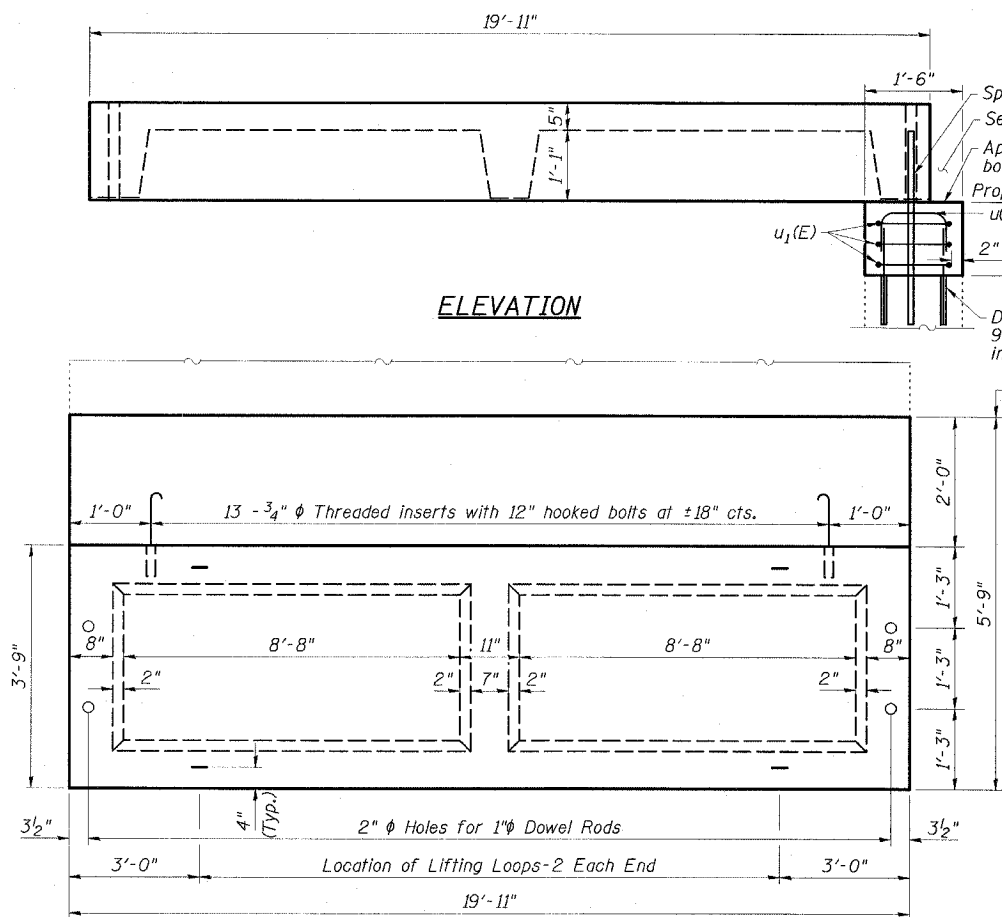


STATE OF ILLINOIS  
DEPARTMENT OF TRANSPORTATION

ROUTE NO.	SECTION	COUNTY	DATE	SHEET	SHEET NO. 8 18 SHEETS
FAS 899	8BR-2	SALINE	75	43	
FED. ROAD DIST. NO. 4	ILLINOIS	FED. AID PROJECT			

78028



**BILL OF MATERIAL**

Bar	No.	Size	Length	Shape
d(E)	12	#5	1'-7"	—
u(E)	6	#5	2'-9"	□
u <sub>1</sub> (E)	12	#5	7'-4"	□
Concrete Structures			Cu. Yd.	0.6
Precast Concrete Bridge Slab			Sq. Ft.	299
Reinforcement Bars Epoxy Coated			Pounds	130

**NOTES**

Reinforcing steel shall conform to ASTM A 706 (IL MOD), Grade 60.  
The bearing seat surfaces shall be adjusted by shimming to assure firm and even bearing. Two 1/8" fabric adjusting shims of the dimensions of the Bearing Pad shall be provided for each bearing pad location.  
Keyway surfaces shall be cleaned to remove form oil or other bond breaking material prior to shipment of the slabs. Cleaning shall be done by sandblasting the keyway areas between top of the slab and the bottom edge of the key.  
Corrosion Inhibitor, per Article 1020.05(b)(12) of the Standard Specifications, shall be used in the concrete for precast concrete bridge slabs.  
Required Strength, f'<sub>c</sub>, shall be 4500 p.s.i.  
See Dwg. No. 2 of 18 for location of rail anchors and additional notes.  
Cost of reinforcement and accessories cast into the slab unit, bearing pads, furnishing, drilling for, placing and grouting anchor rods and 3/4"  $\phi$  hooked bolts is included in contract Unit Price for "Precast Concrete Bridge Slab."  
The Precast Concrete Bridge Slab shall be erected and aligned with the exterior face of the exterior Deck Beam after Deck Beams are in final position.  
A minimum 2 1/2"  $\phi$  lifting pin shall be used to engage the lifting loops during handling.

**APPROACH DETAILS**  
OLD IL 13 OVER BANKSTON FORK  
FAS ROUTE 899 - SECTION 8BR-2  
SALINE COUNTY  
STATION 802+60.00  
STRUCTURE NO. 083-0036

**ESCA**  
CONSULTANTS, INC.

DESIGNED BY:	JMS	10/07
DRAWN BY:	CJ/HAS	10/07
CHECKED BY:	DAJ/ELH	02/08
APPROVED BY:	RDP	02/08