

STATE OF ILLINOIS
DEPARTMENT OF TRANSPORTATION

ROUTE NO.	SECTION	COUNTY	SHEETS	SHEET	SHEET NO. 12
FAS 899	8BR-2	SALINE	75	47	18 SHEETS
FED. ROAD DIST. NO. 5		ILLINOIS	FED. AID PROJECT		

78028

GENERAL NOTES

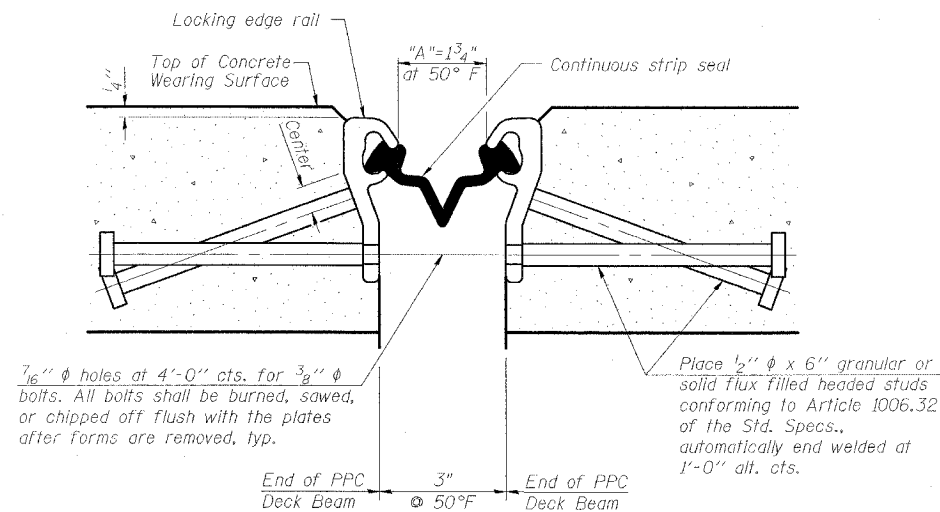
The strip seal shall be made continuous and shall have a minimum thickness of 1/4". The configuration of the strip seal shall match the configuration of the Locking Edge Rails.

The height and thickness of the Locking Edge Rails shown are minimum dimensions. The actual configuration of the Locking Edge Rails and matching strip seal may vary from manufacturer to manufacturer. Flanged edge rails will not be allowed.

Locking Edge Rails may be spliced at slope discontinuities and stage construction joints.

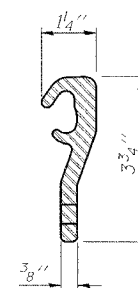
The manufacturer's recommended installation methods shall be followed.

All Steel components shall be galvanized after fabrication according to Article 520.03 of the Standard Specifications.

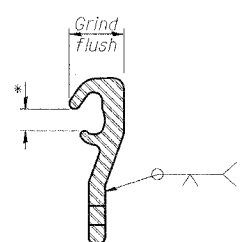


**SECTION THRU STRIP SEAL JOINT
FOR OVERLAY OVER DECK BEAMS**

* Omit weld at seal opening.



LOCKING EDGE RAIL



LOCKING EDGE RAIL SPLICE

BILL OF MATERIAL

Item	Unit	Quantity
Preformed Joint Strip Seal	Foot	33

ESCA
CONSULTANTS, INC.

DESIGNED BY:	JMS	10/07
DRAWN BY:	CJ/HAS	10/07
CHECKED BY:	DAJ/ELH	01/08
APPROVED BY:	RDP	01/08

**STRIP SEAL EXPANSION JOINT
OLD IL 13 OVER BANKSTON FORK
FAS ROUTE 899 - SECTION 8BR-2
SALINE COUNTY
STATION 802+60.00
STRUCTURE NO. 083-0036**