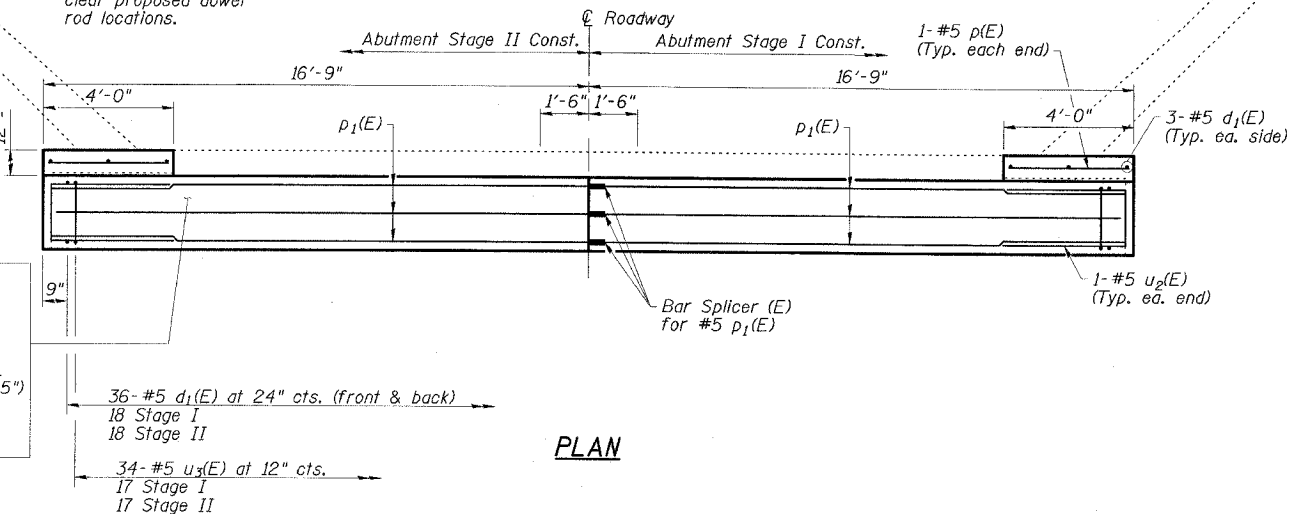


STATE OF ILLINOIS  
DEPARTMENT OF TRANSPORTATION

ROUTE NO.	SECTION	COUNTY	SHEET NO.	SHEET	SHEET NO. 13 18 SHEETS
FAS 899	8BR-2	SALINE	75	48	
FED. ROAD DIST. NO. 9	ILLINOIS	FED. AID PROJECT			

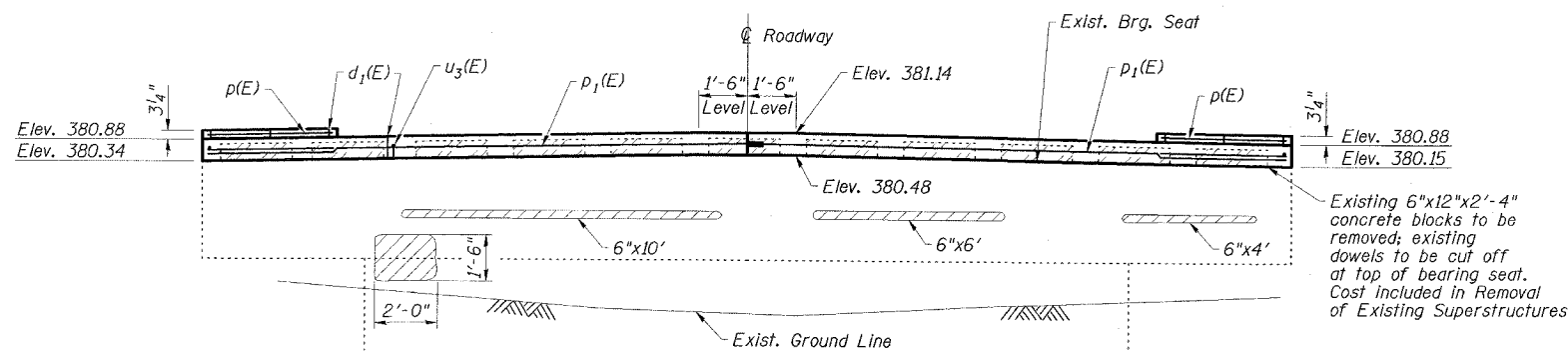
78028

Note: Locate reinforcement to clear proposed dowel rod locations.



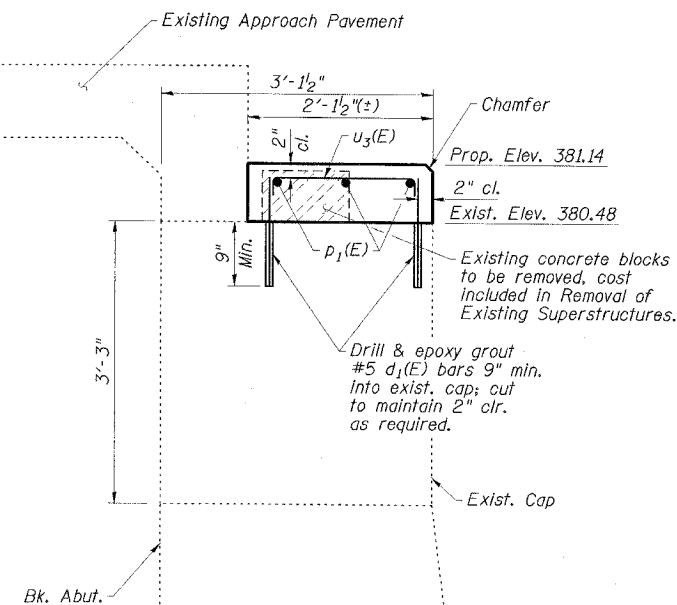
PLAN

EXISTING BEARING SEAT TO BE INSPECTED BY THE ENGINEER AFTER DECK BEAM REMOVAL. DETERIORATED CONCRETE AREAS SHALL BE REPAIRED (ESTIMATED 15 S.F. STRUCTURAL REPAIR OF CONCRETE DEPTH  $\leq$  5") AND CRACKS SHALL BE SEALED (ESTIMATED 20' EPOXY CRACK INJECTION) IF FOUND.

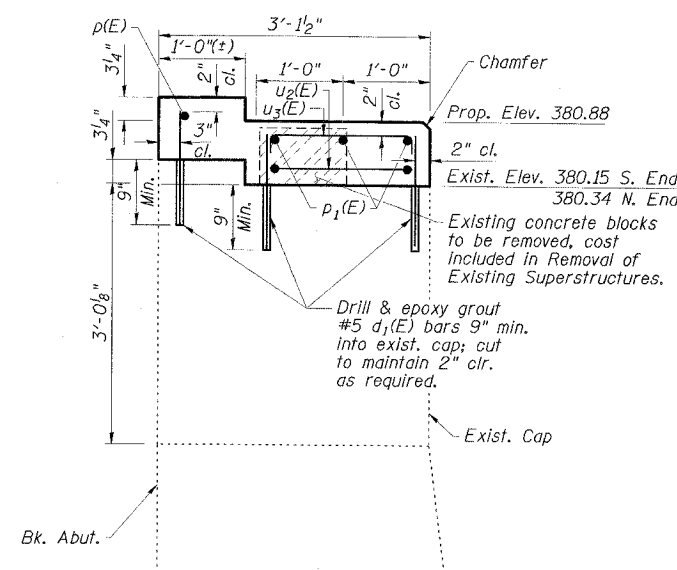


ELEVATION

ABUTMENT CRACK REPAIR LENGTHS AND STRUCTURAL REPAIR OF CONCRETE AREAS ARE ESTIMATED FROM 12-11-07 SURVEY WORK. ACTUAL LOCATIONS AND QUANTITIES OF REPAIRS SHALL BE SHOWN BY THE ENGINEER ON THE AS-BUILT PLANS FOR THIS SECTION.



SECTION THRU ABUTMENT  
@ ROADWAY



SECTION THRU ABUTMENT  
@ OUTSIDE BEAM

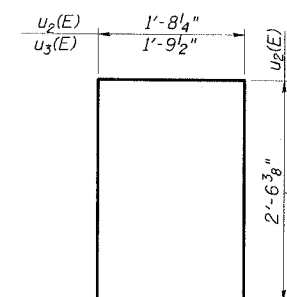
EAST ABUTMENT  
BILL OF MATERIAL

Bar	No.	Size	Length	Shape
d <sub>1</sub> (E)	42	#5	1'-3"	—
p(E)	2	#5	3'-8"	—
p <sub>1</sub> (E)	6	#5	16'-5"	—
u <sub>2</sub> (E)	2	#5	6'-9"	—
u <sub>3</sub> (E)	34	#5	2'-6"	—
Concrete Structures		Cu. Yd.	1.9	
Bar Splicers		Each	3	
Reinforcement Bars, Epoxy Coated		Pounds	270	
Concrete Sealer		Sq. Ft.	108	
Epoxy Crack Injection		Foot	20	
Structural Repair of Concrete (Depth Equal to or Less Than 5")		Sq. Ft.	28	

REPAIR LEGEND

Inspection Date: 12/11/07

- C-6' Crack to be epoxy injected
- Delaminated or Spalled Area - Use Structural Repair of Concrete
- Rust Spot



BARS u<sub>2</sub>(E) & u<sub>3</sub>(E)

**ESCA**  
CONSULTANTS, INC.

DESIGNED BY:	JMS	10/07
DRAWN BY:	CJ/HAS	10/07
CHECKED BY:	DA/VELH	01/08
APPROVED BY:	RDP	01/08

EAST ABUTMENT  
OLD IL 13 OVER BANKSTON FORK  
FAS ROUTE 899 - SECTION 8BR-2  
SALINE COUNTY  
STATION 802+60.00  
STRUCTURE NO. 083-0036