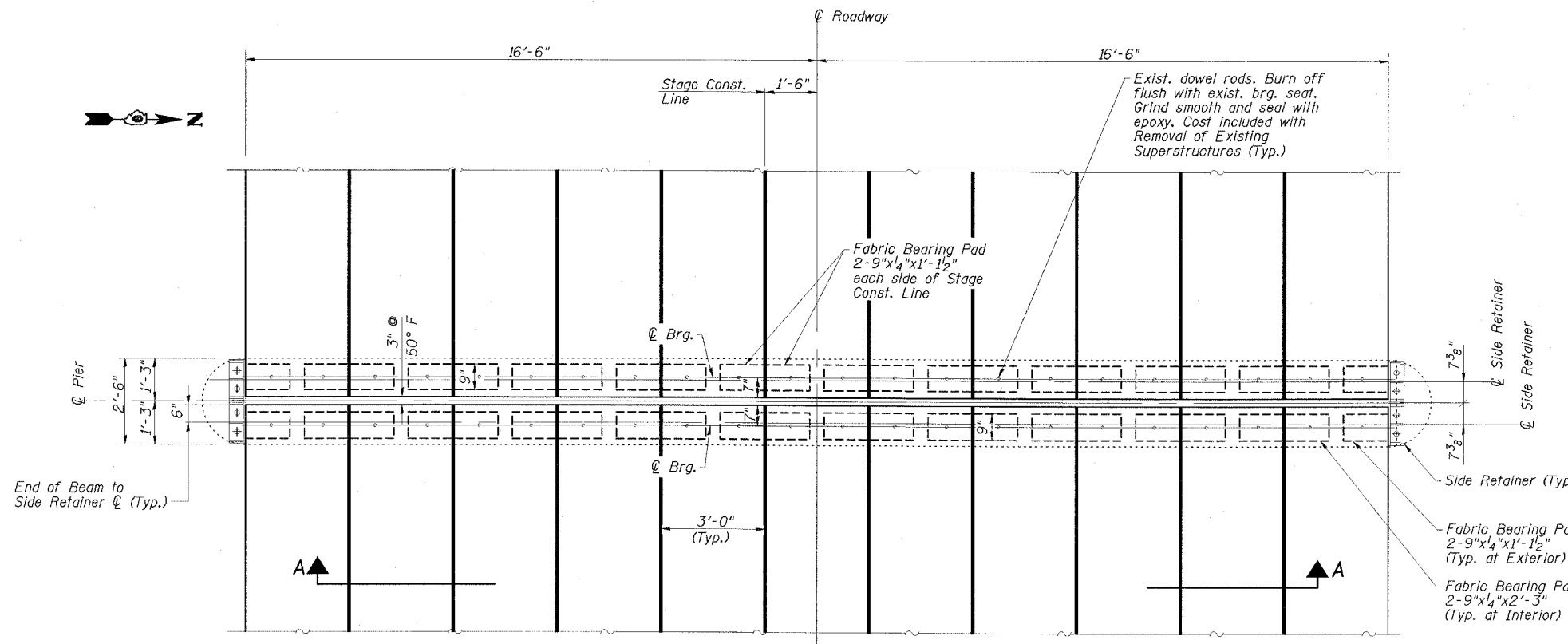
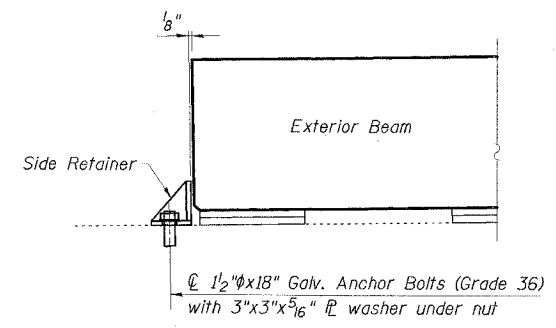


STATE OF ILLINOIS
DEPARTMENT OF TRANSPORTATION

ROUTE NO.	SECTION	COUNTY	SHEETS	SHEET	SHEET NO. 17 18 SHEETS
FAS 899	8BR-2	SALINE	75	52	
FED. ROAD DIST. NO. 1		ILLINOIS	FED. AID PROJECT:		78028



PIER BEARING SEAT PLAN
(Concrete Wearing Surface and expansion joint not shown)



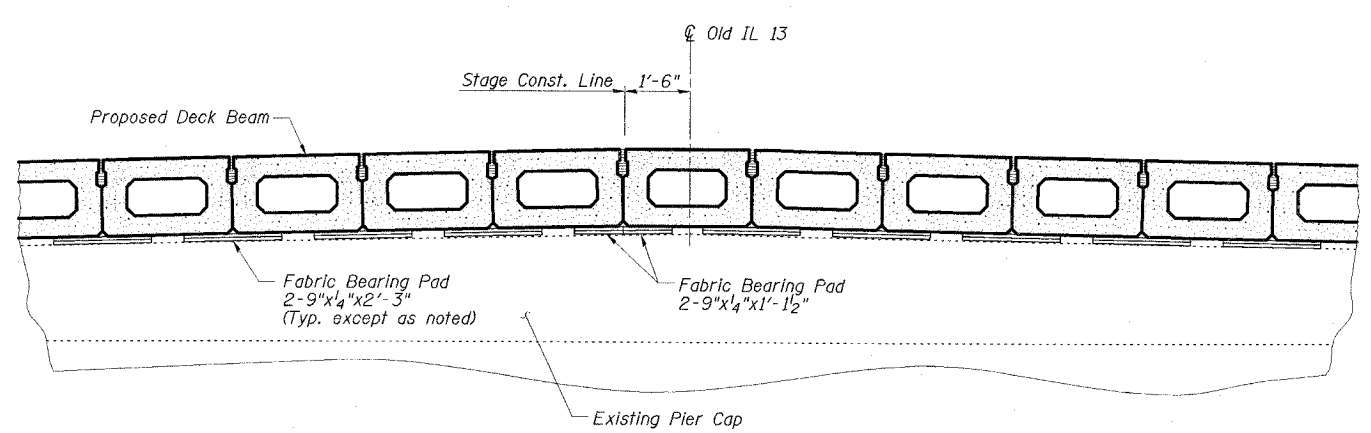
EXTERIOR BEAM RETAINER DETAILS
(4 Required)

Cost of Retainer Angles, Anchor Bolts & accessories are included with Precast Prestressed Concrete Deck Beams.

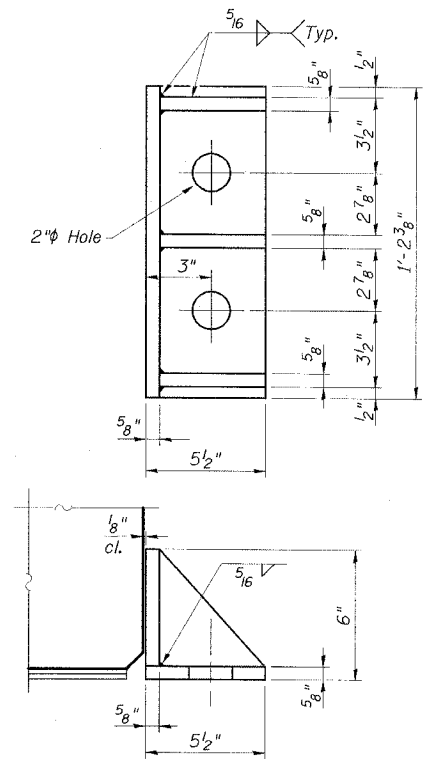
Fill 1/8" gap with shim to provide temporary lateral support until shear keys have been grouted and concrete wearing surface has been placed.

Anchor bolts shall be ASTM F1554 all-thread (or an Engineer-approved alternate material) of the grade(s) and diameter(s) specified. ASTM A307 Grade C anchor bolts may be used in lieu of ASTM F1554 Grade 36 (Fy=36ksi). The corresponding specified grade of AASHTO M314 anchor bolts may be used in lieu of ASTM F1554.

Drilled and set anchor bolts shall be installed according to Article 521.06 of the Standard Specifications.



SECTION A-A
(Concrete Wearing Surface not shown)



SIDE RETAINER
Equivalent rolled angle with stiffeners will be allowed in lieu of welded plates.

ESCA
CONSULTANTS, INC.

DESIGNED BY:	JMS	10/07
DRAWN BY:	CJ/HAS	10/07
CHECKED BY:	DAJ/ELH	01/08
APPROVED BY:	RDP	01/08

PIER DETAILS
OLD IL 13 OVER BANKSTON FORK
FAS ROUTE 899 - SECTION 8BR-2
SALINE COUNTY
STATION 802+60.00
STRUCTURE NO. 083-0036