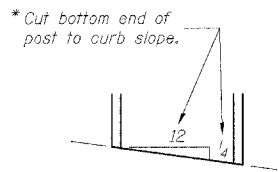
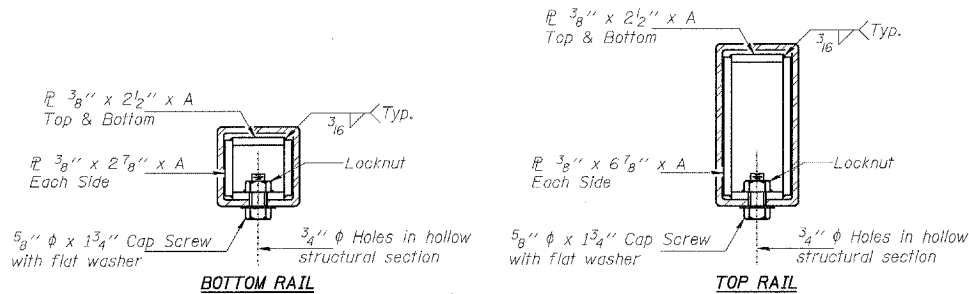


SECTION AT RAIL POST

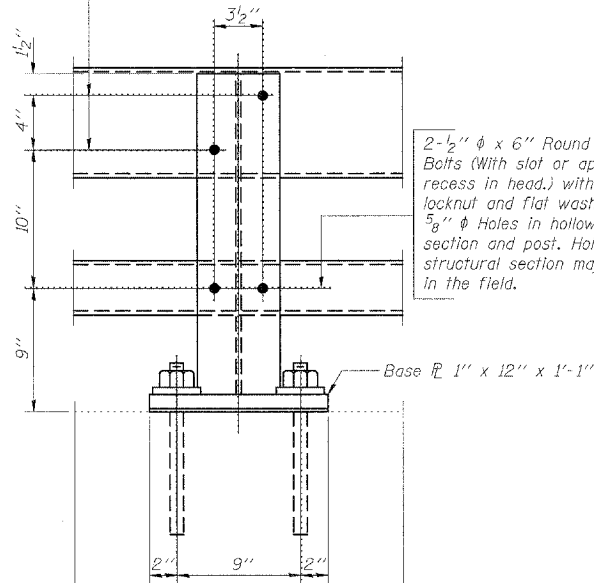


SECTIONS AT RAIL SPLICE

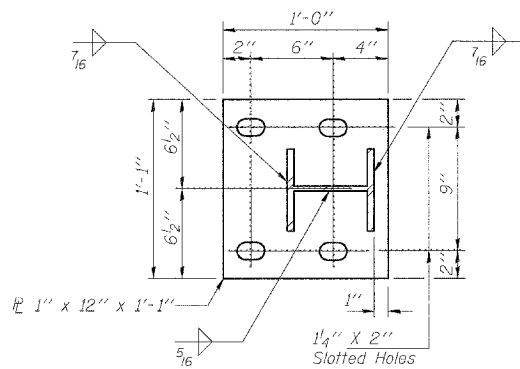
(6'-3" Maximum Post Spacing)



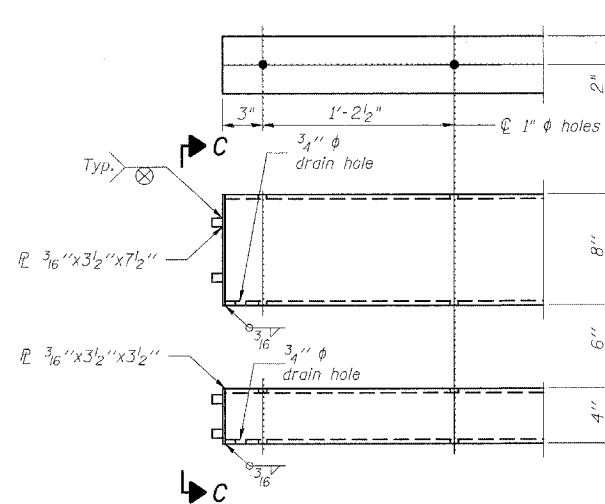
2-3/4" φ x 6" Round Head Bolts (With slot or approved recess in head.) with locknut and flat washer. 7/8" φ Holes in tubing and posts. Holes in hollow structural section may be drilled in the field.



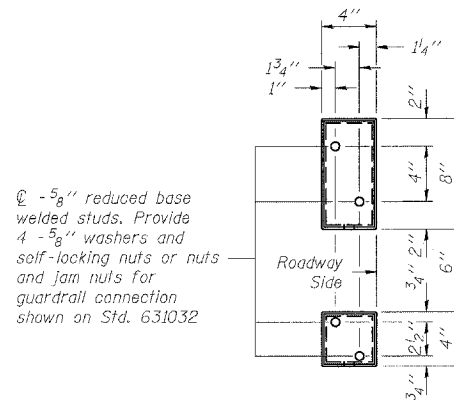
SECTION A-A



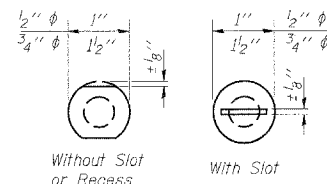
BASE PLATE DETAIL



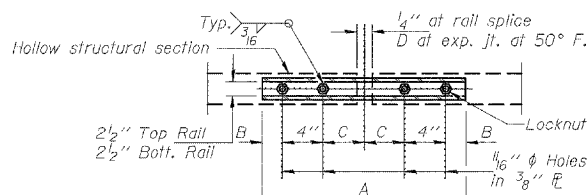
END OF RAIL DETAILS



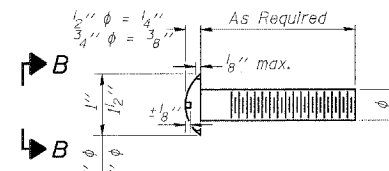
VIEW C-C



VIEW B-B



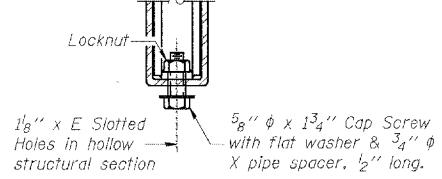
PLAN-BOTT. SPLICE TYPICAL



DETAIL OF 1/2" φ & 3/4" φ ROUND HEAD BOLTS

NOTES

Hollow structural sections shall conform to the requirements of ASTM designation A 500, Grade B, Structural Steel Tubing and shall meet the longitudinal CVN requirements of 15 ft-lbs at 0°F. All other steel shapes and plates shall conform to the requirements of AASHTO M 270 Grade 36 except posts shall conform to AASHTO M 270, Grade 50. Bolts, cap screws and nuts shall conform to the requirements of ASTM designation A 307 except that threaded rods, nuts and washers shall conform to AASHTO M 164. All bolts, nuts, cap screws, washers and lock washers shall be galvanized according to AASHTO M 232. All posts, railing, rail splices and anchor rods shall be galvanized after shop fabrication according to AASHTO M 111 and ASTM A 385. Galvanized rail shall not be painted. Railing shall be according to Section 509 of the Standard Specifications, except as noted, and will be paid for at the contract unit price per foot for Steel Bridge Rail. All field drilled holes shall be coated with an approved zinc rich paint before erection. Posts shall not be located closer than 1'-3" to an existing bridge expansion joint or end of bridge. Steel Bridge Rail expansion joint shall be provided between any two (2) posts which span a bridge expansion joint. Bolts located at expansion joint shall be provided with locknuts and shall be tightened only to a point that will allow ralling movement. Provide one 1/8" and two 1/16" steel shims for 25% of the posts. Shims shall be similar to base plates in size and holes. Expansion joint width shall be "D" at 50° F and shall be adjusted for other temperatures according to Article 503.10(c) of the Standard Specifications. The Contractor shall use the capsule or the adhesive cartridge type anchor rods that have been previously tested and given a prior approval by the Department. The Contractor shall install these anchor rods in pre-drilled holes according to the manufacturer's recommendations and procedures. The capsule or the adhesive cartridge shall be sealed with pre-measured amounts of the adhesive chemical. Nuts for 1" φ threaded anchor rods connecting the base plate to the concrete shall be tightened to a snug fit and given an additional 1/8 turn.



RAIL SPLICE CONNECTION AT EXPANSION JT.

BILL OF MATERIAL

Item	Unit	Quantity
Steel Bridge Rail	Foot	
S.N. 083-0009		88.0
S.N. 083-0010		120.0

SPLICE DIMENSIONS

T	D	A	B	C	E
≤4"	2 1/2"	1'-8"	2"	4"	2 1/2"
>4" ≤6 1/2"	3 3/4"	2'-0"	2 1/2"	5 1/2"	3 1/2"
>6 1/2" ≤9"	5"	2'-4"	3 1/2"	6 1/2"	9"
>9" ≤13"	7"	2'-10"	4 1/2"	8 1/2"	11"
Rail Splice	1/4"	1'-8"	2"	4"	---

T = Total movement of expansion joint as shown on the design plans.

STEEL BRIDGE RAIL CURB MOUNTED (2399)

FILE NAME = c:\projects\1907\1907\1907det.m32

USER NAME = thomashf  
 PLDT SCALE = 50.00000' / IN.  
 PLOT DATE = 3/18/2008

DESIGNED -  
 DRAWN -  
 CHECKED -  
 DATE -

REVISED -  
 REVISED -  
 REVISED -  
 REVISED -

STATE OF ILLINOIS DEPARTMENT OF TRANSPORTATION

DETAIL: STEEL BRIDGE RAIL

SCALE: NONE SHEET NO. 1 OF 1 SHEETS STA. \_\_\_\_\_ TO STA. \_\_\_\_\_

F.A.P. RTE. 881 SECTION D9 SAFETY FY08-1 COUNTY VARIOUS TOTAL SHEETS 64 SHEET NO. 25 CONTRACT NO. 78038 FED. ROAD DIST. NO. \_\_\_\_\_ ILLINOIS FED. AID PROJECT