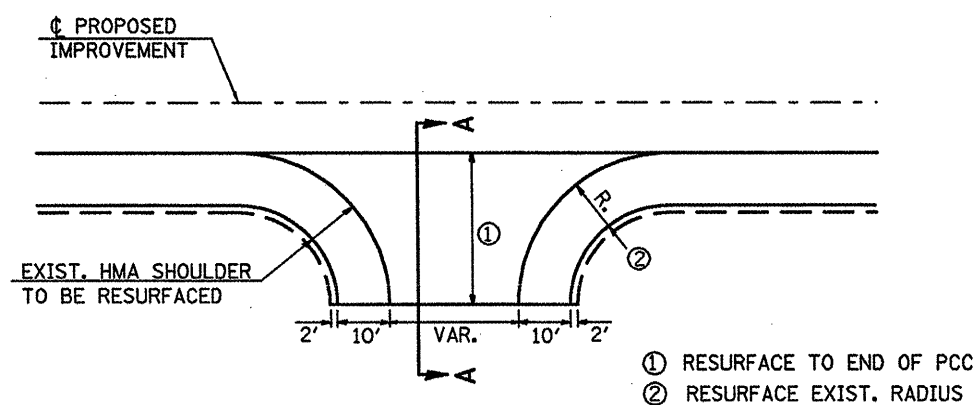


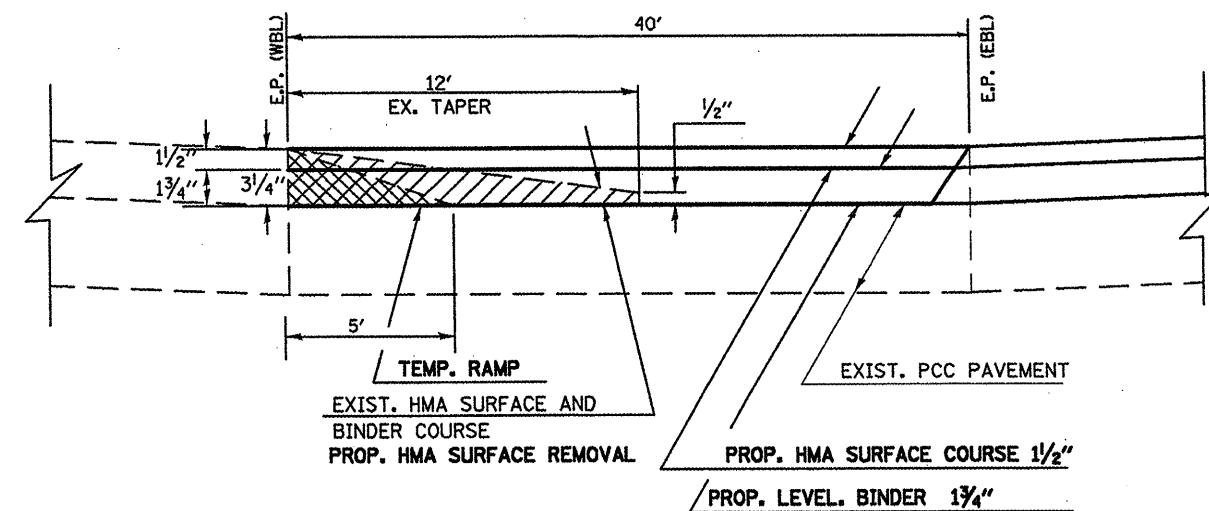
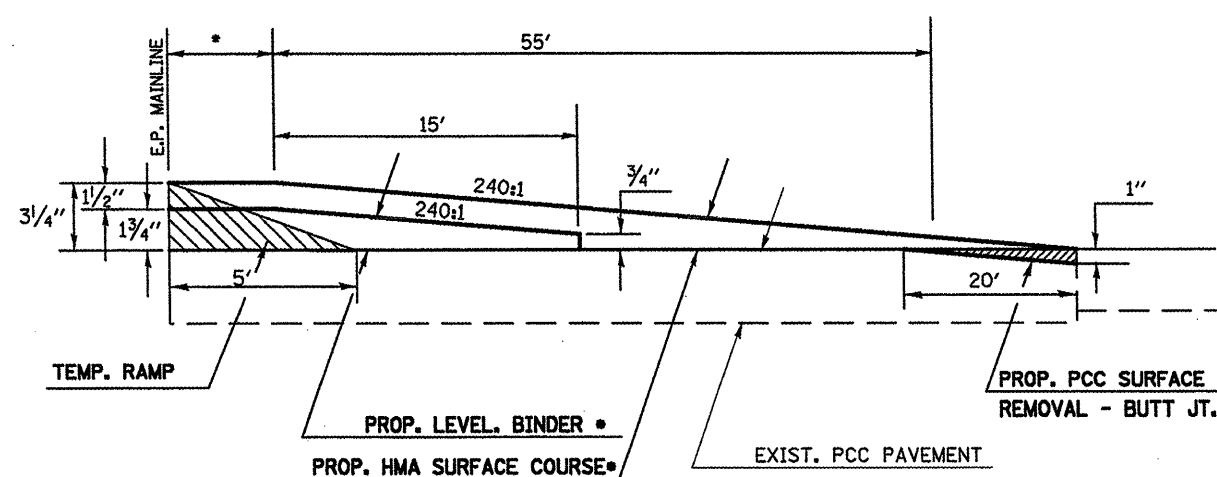
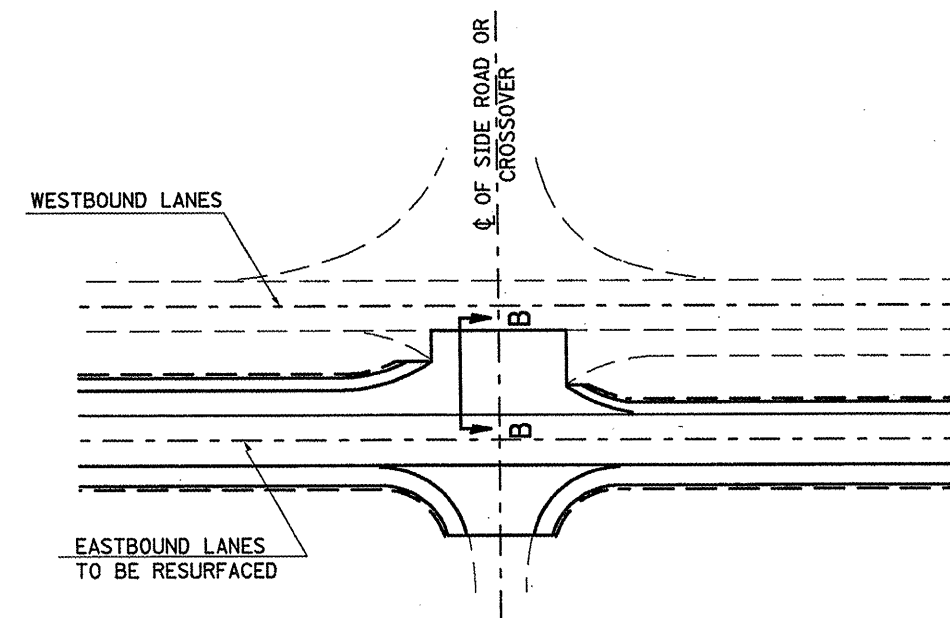
F.A.P. RTE.	SECTION	COUNTY	TOTAL SHEETS	SHEET NO.
331	*	WILLIAMSON	29	23
STA.		TO STA.		
FED. ROAD DIST. NO.		ILLINOIS	FED. AID PROJECT	

* (1-2)RS-3, (1-3)RS-2

SIDE ROAD DETAIL



MEDIAN CROSS-OVER DETAIL



*PAY ITEM IS INCIDENTAL
HOT-MIX ASPHALT SURFACE.

SECTION A-A

TO BE USED:

- RT STA 493+29 (AT MAIN ST) *5'
- RT STA 520+59 (AT WOLF CREEK RD) *77'
- RT STA 560+35 (AT SAMUEL RD) *6'
- RT STA 586+47 (AT BRIGGS RD) *5'

SECTION B-B

TO BE USED:

- LT STA 493+29 (AT MAIN ST)
- LT STA 520+59 (AT WOLF CREEK RD)
- LT STA 560+35 (AT SAMUEL RD)
- LT STA 586+47 (AT BRIGGS RD)

DATE-TIME
DESIGNER
CHECKER
APP. REF.
APP. REF.