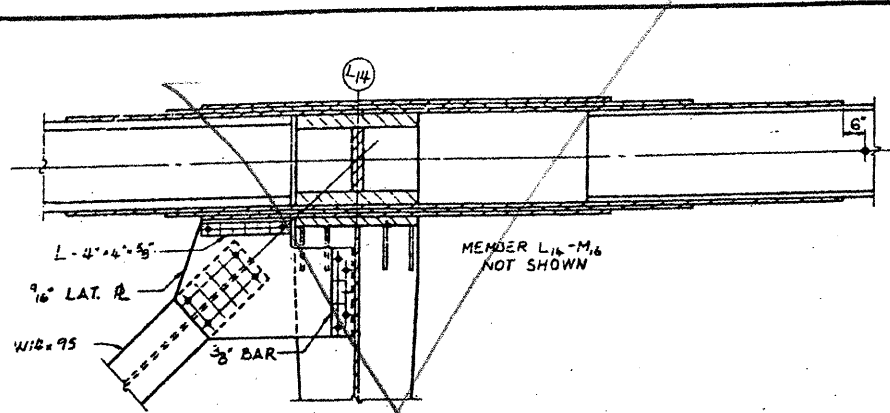
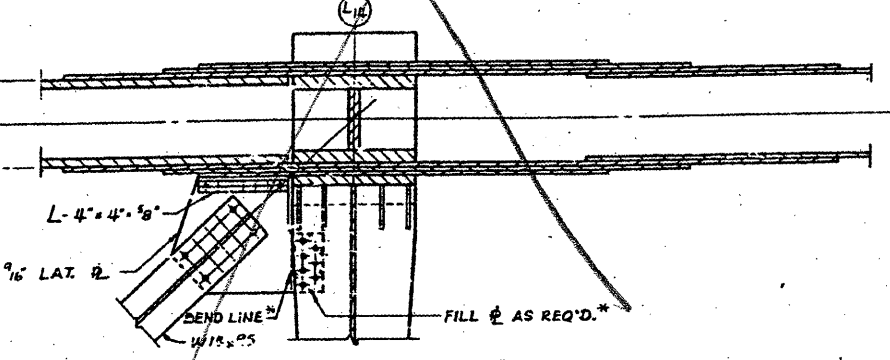


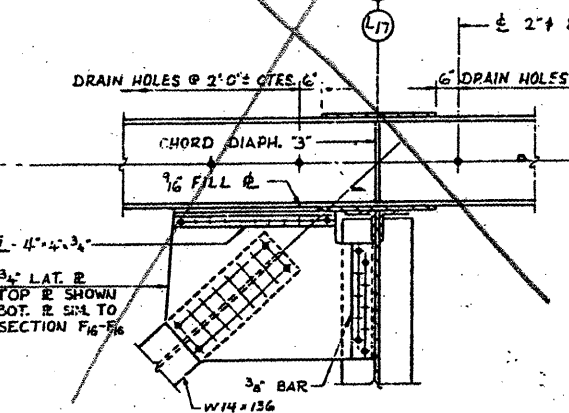
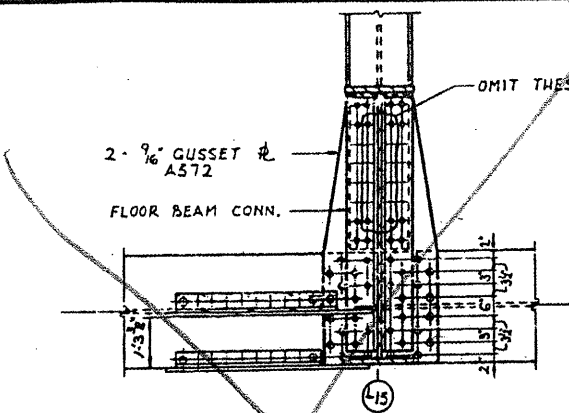
OMIT THESE BOLTS AT F.S. GUSSET
 CONTRACT: 78040
 ROUTE: F.A.I. 57
 SECTION: (02-1B-1)P-1
 COUNTY: ALEXANDER, IL; MISSISSIPPI, MO
 SHEET 14 OF 67
 FOR INFORMATION ONLY



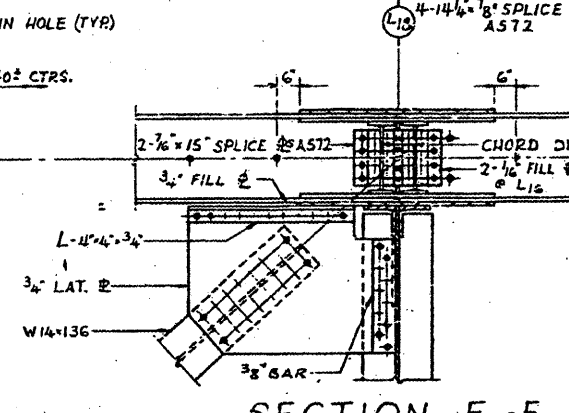
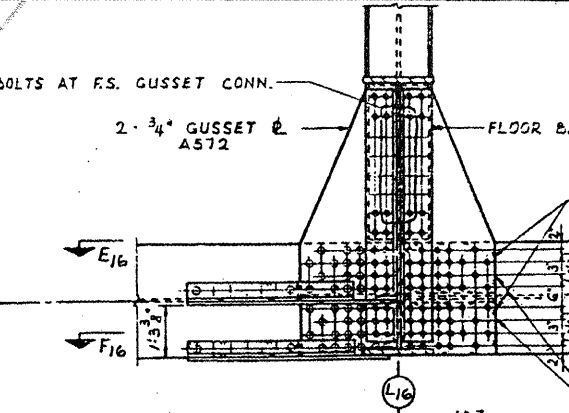
SECTION E14-E14



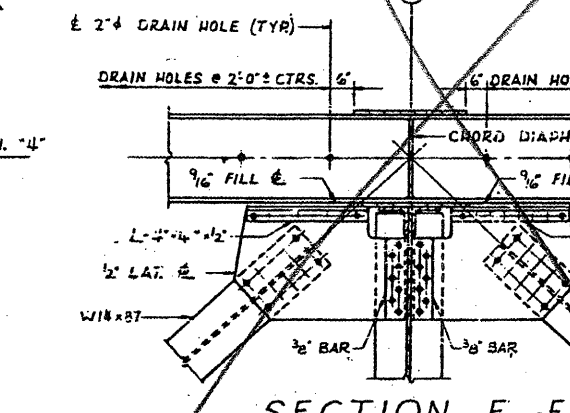
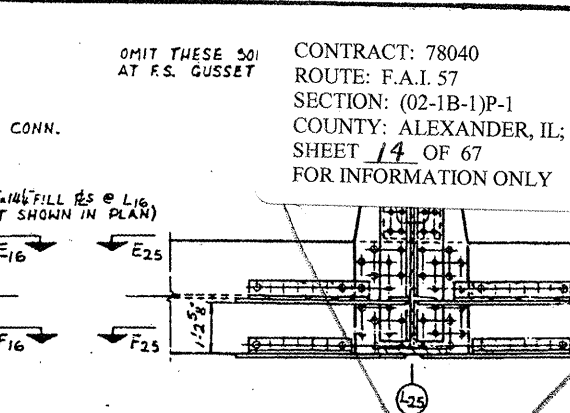
SECTION F14-F14



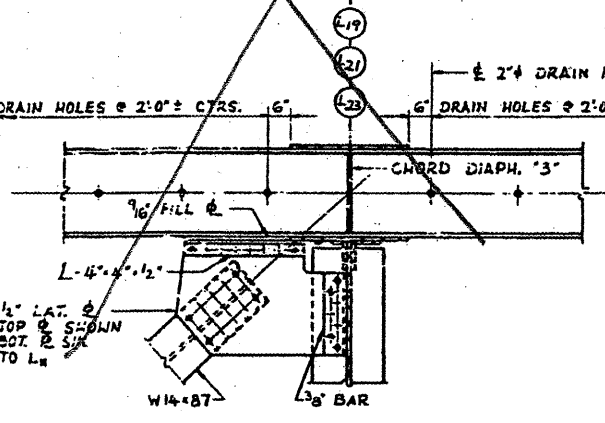
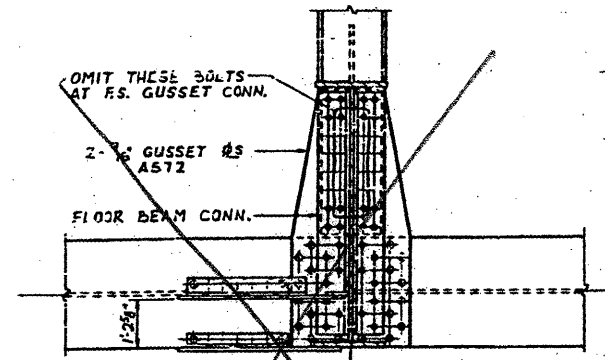
SECTION E15-E15



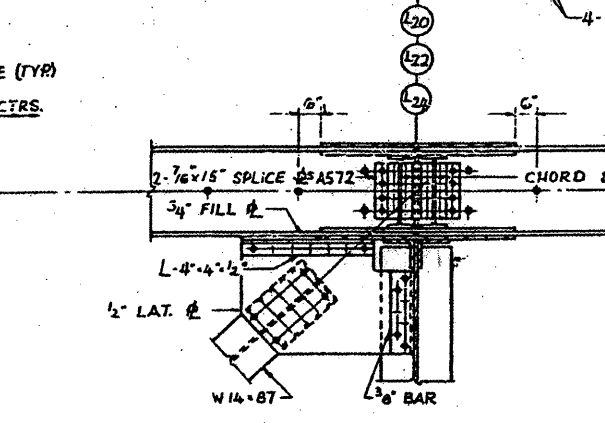
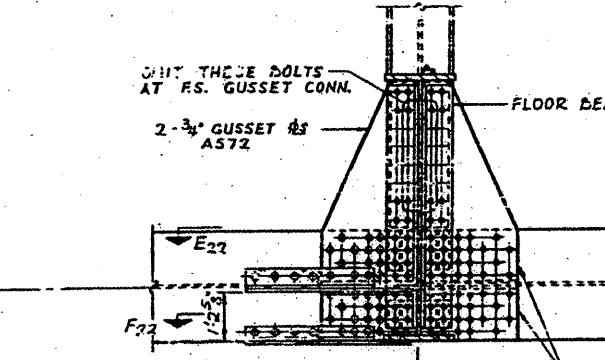
SECTION E16-E16



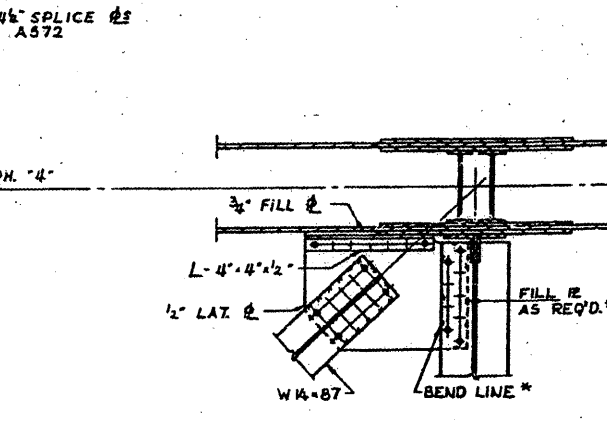
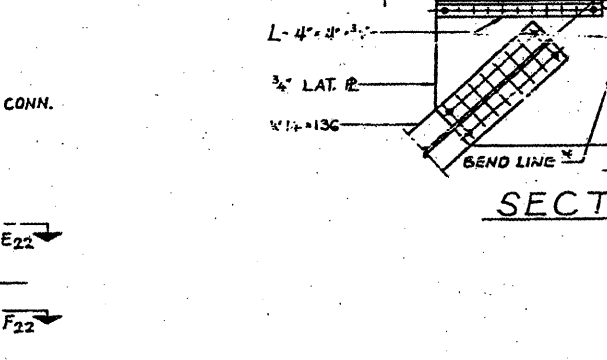
SECTION E25-E25



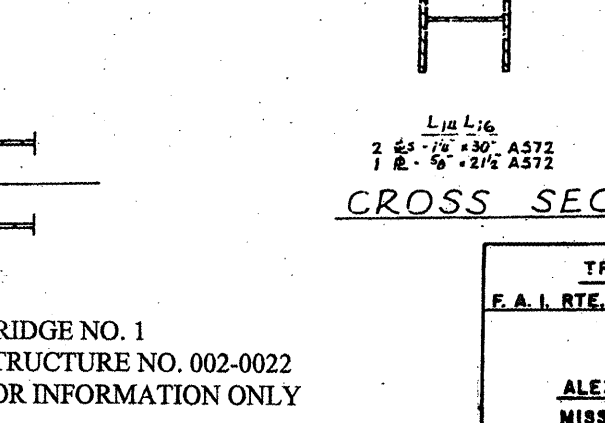
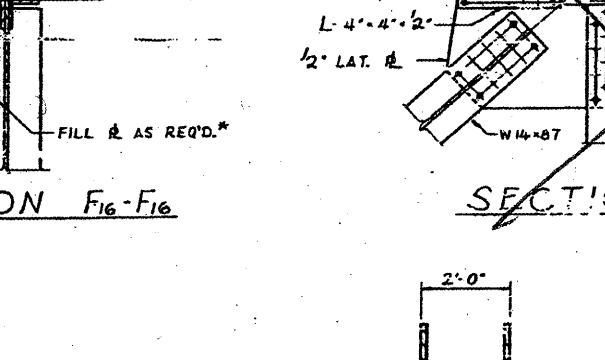
SECTION E22-E22



SECTION E20-E20



SECTION E18-E18



SECTION E18-E18



L16 L18, L18 L20, L20 L22.
 L22 L24, L24 L24
 2 #5-1/2 x 30\"/>

BRIDGE NO. 1
 STRUCTURE NO. 002-0022
 FOR INFORMATION ONLY

TRUSS DETAILS - L1, L25
 F.A.I. RTE. 57 OVER THE MISSISSIPPI RIVER
 PROJECT 1-57-9(1)0
 SECTION (02-1B-1)FBE
 ALEXANDER COUNTY, ILLINOIS
 MISSISSIPPI COUNTY, MISSOURI
 STA. 1141 + 64.75 TO STA. 1182 + 75.25