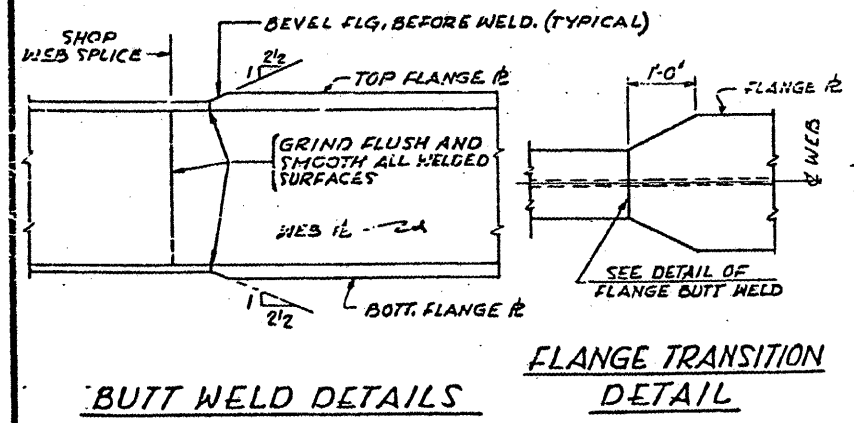
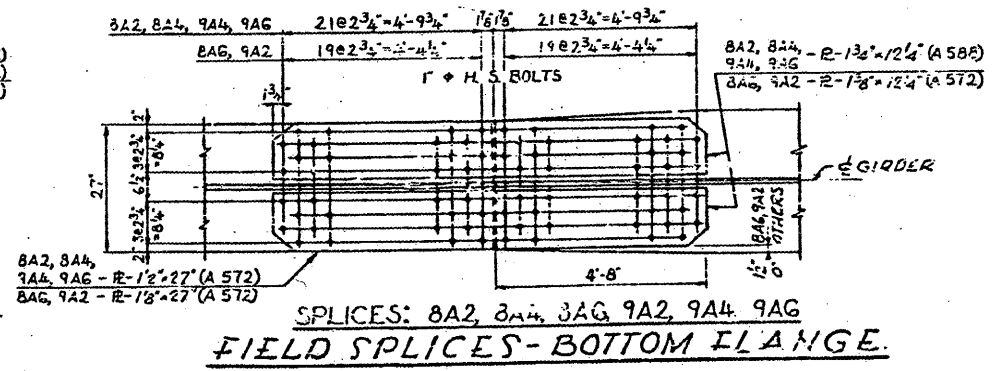
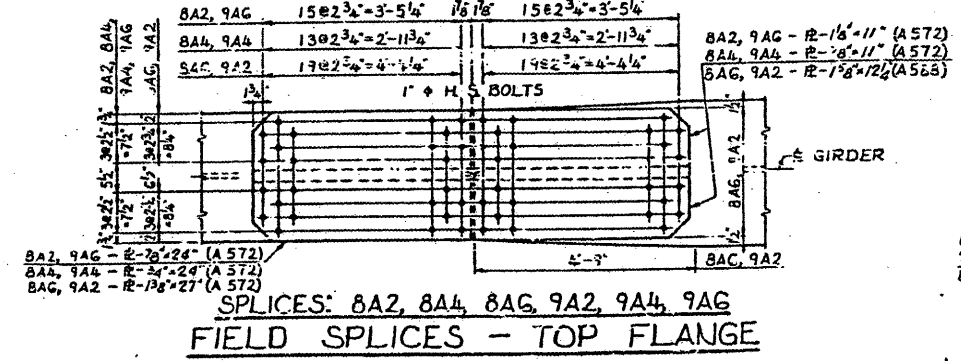
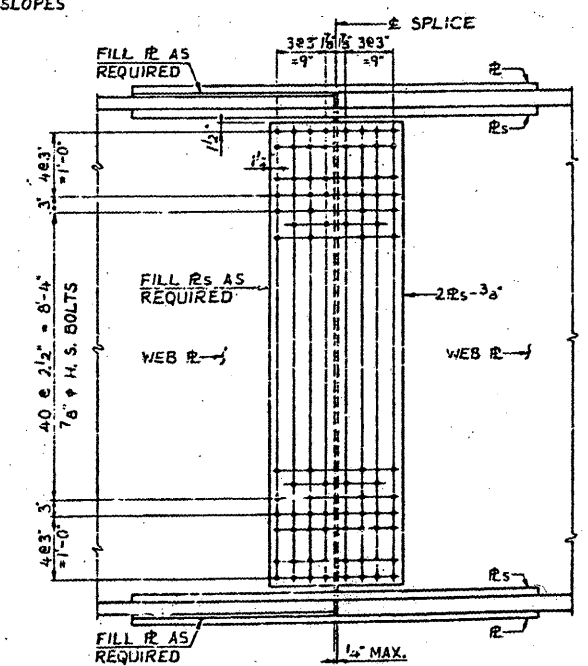
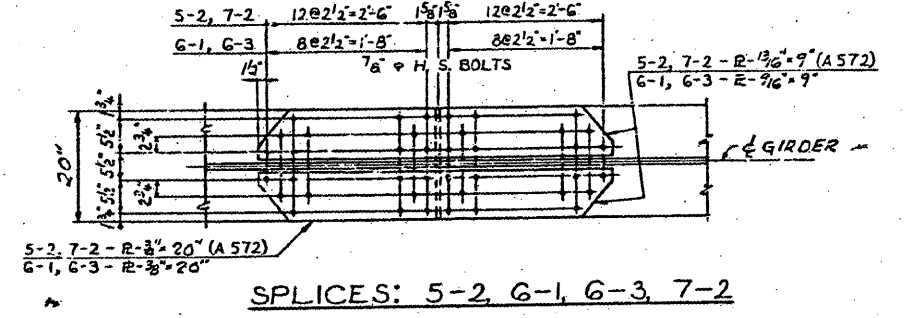
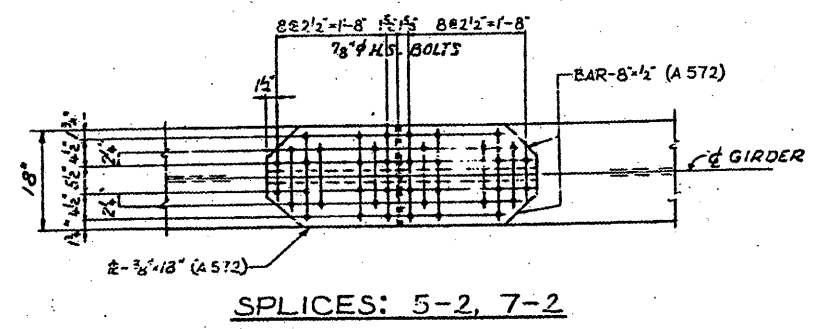
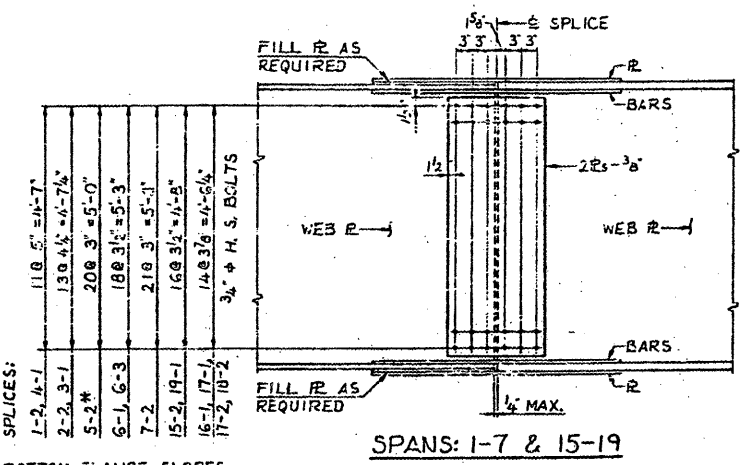
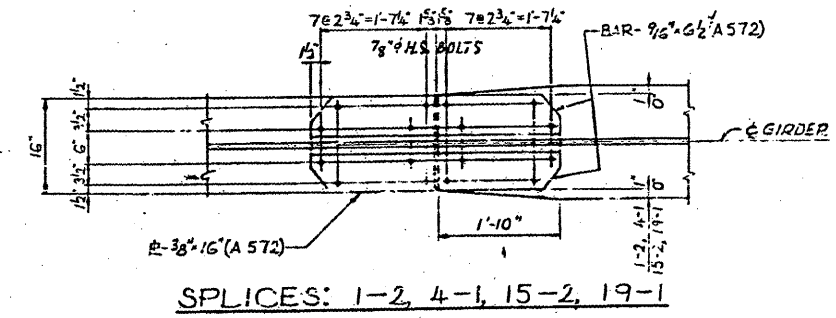
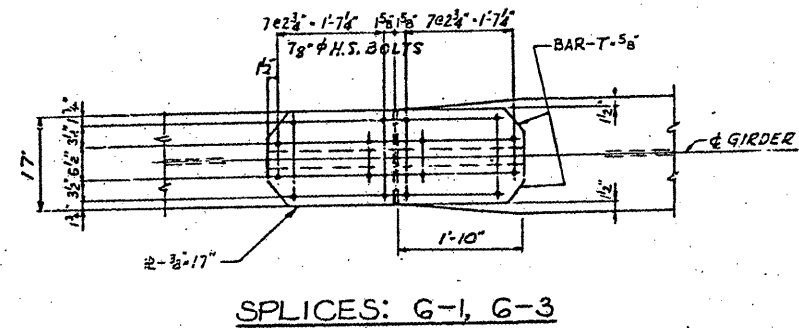
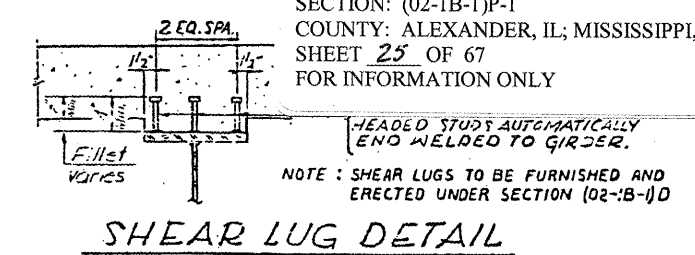
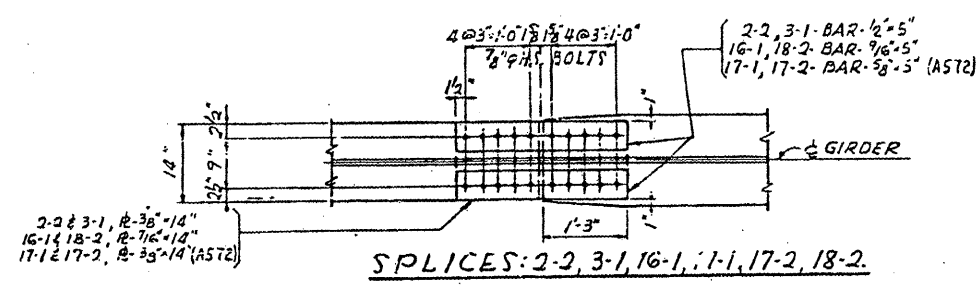
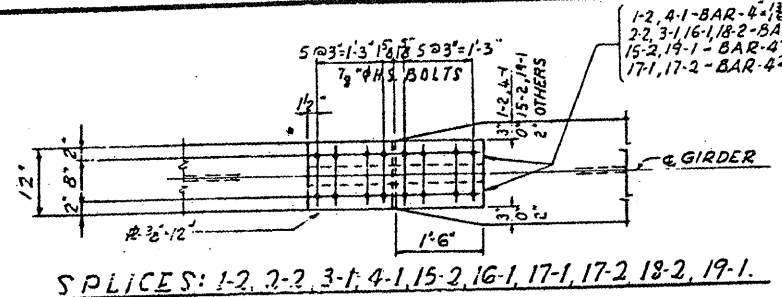
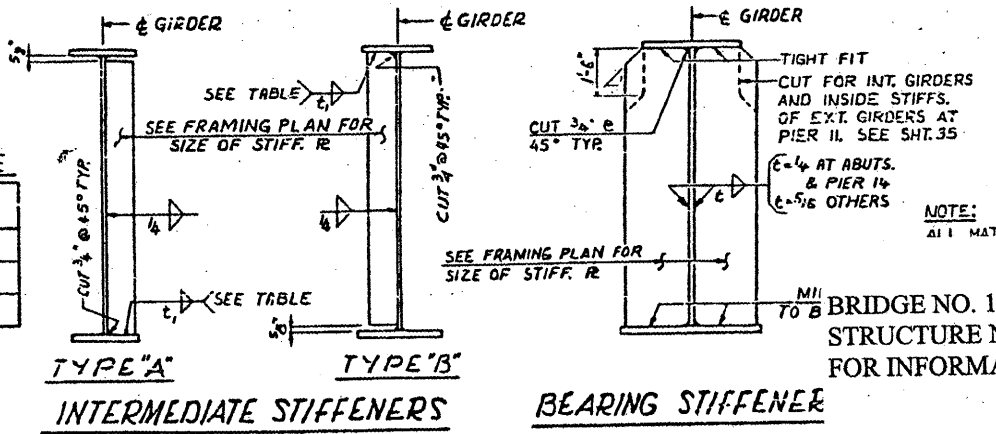


CONTRACT: 78040
 ROUTE: F.A.I. 57
 SECTION: (02-1B-1)P-1
 COUNTY: ALEXANDER, IL; MISSISSIPPI, MO
 SHEET 25 OF 67
 FOR INFORMATION ONLY



FILLET WELD (L) TABLE

FLANGE R THICKNESS	WELD SIZE
OVER 1/2" TO 3/4"	1/4"
OVER 3/4" TO 1 1/2"	5/16"
OVER 1 1/2" TO 2 1/4"	3/8"



NOTE: ALL MATERIAL ASTM A 36 UNLESS NOTED

BRIDGE NO. 1
 STRUCTURE NO. 002-0022
 FOR INFORMATION ONLY

FIELD SPLICES & DETAILS-SPANS 1 TO 15 TO 19
 F.A.I. RTE. 57 OVER THE MISSISSIPPI RIVER
 PROJECT 1-57-9(5)0
 SECTION (02-1B-1)D
 ALEXANDER COUNTY, ILLINOIS
 MISSISSIPPI COUNTY, MISSOURI
 STA. 1141 + 84.75 TO STA. 1162 + 75.25