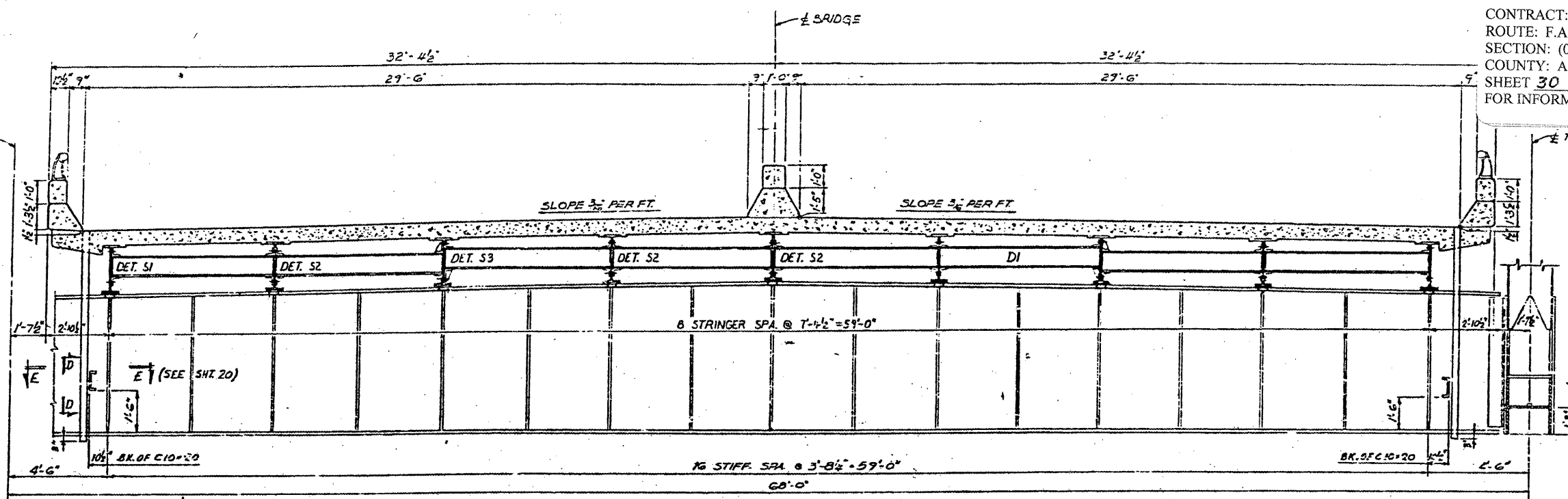
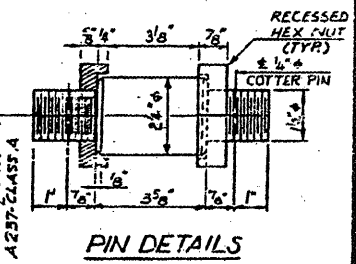


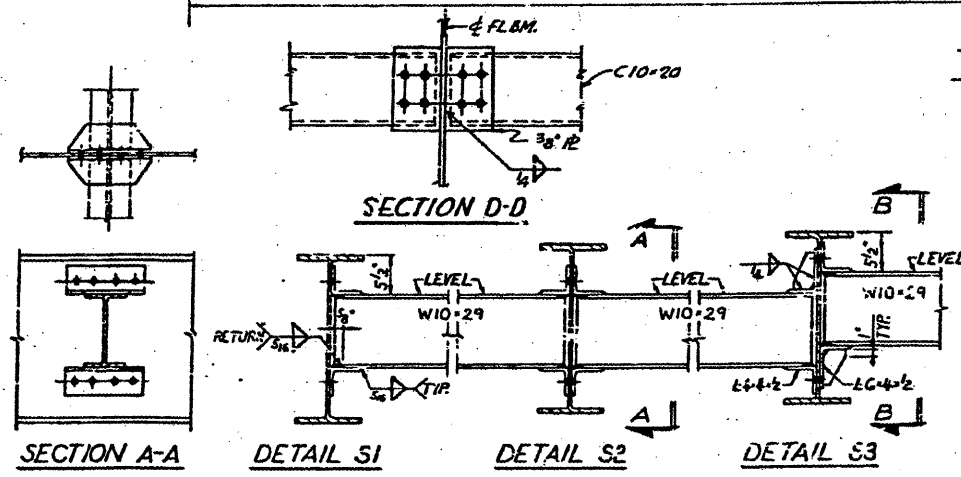
CONTRACT: 78040  
 ROUTE: F.A.I. 57  
 SECTION: (02-1B-1)P-1  
 COUNTY: ALEXANDER, IL; MISSISSIPPI, MO  
 SHEET 30 OF 67  
 FOR INFORMATION ONLY



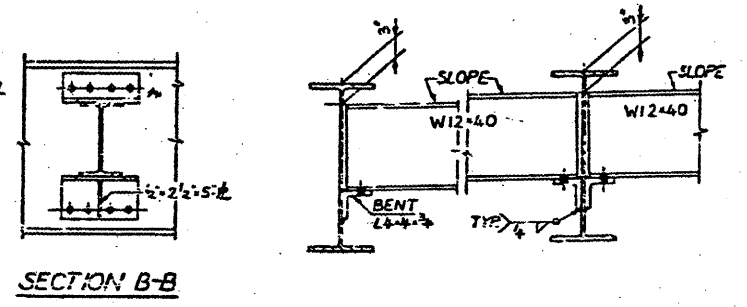
**TYPICAL CROSS - SECTION**  
 SCALE: 3/8"=1'-0"



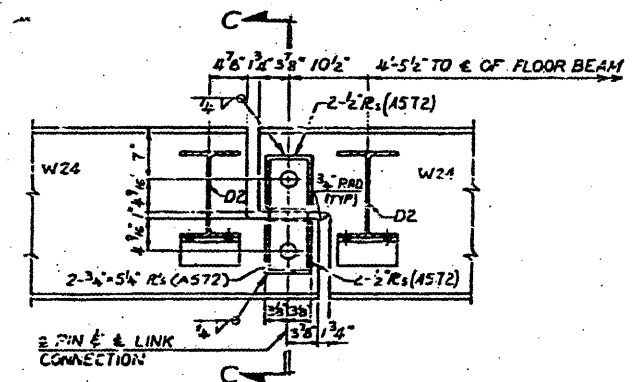
**PIN DETAILS**



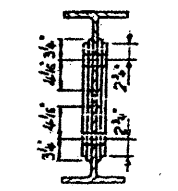
**DIAPHRAGM D1 DETAILS**  
 SCALE: 1"=1'-0"



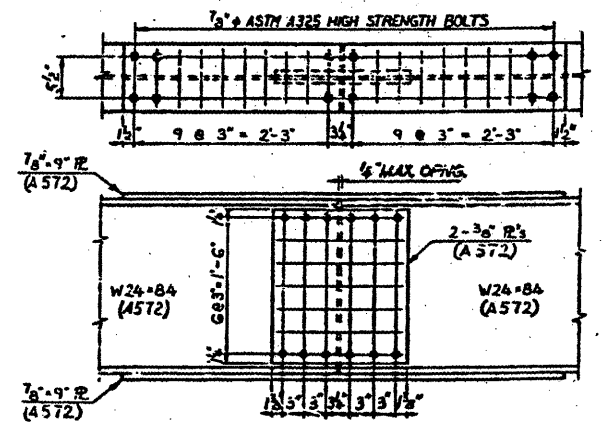
**DIAPHRAGM D2 DETAILS**  
 SCALE: 1"=1'-0"



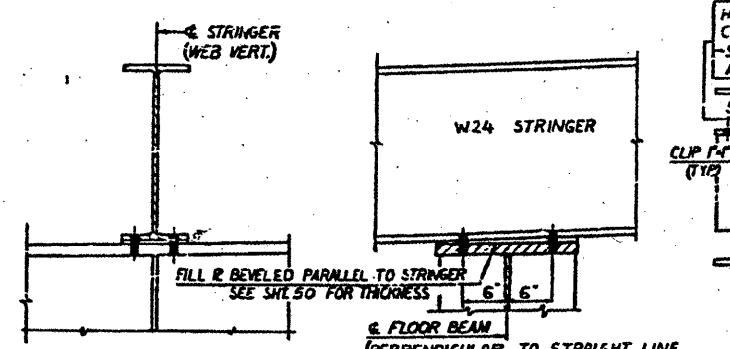
**LINK CONNECTION**  
 SCALE: 1"=1'-0"



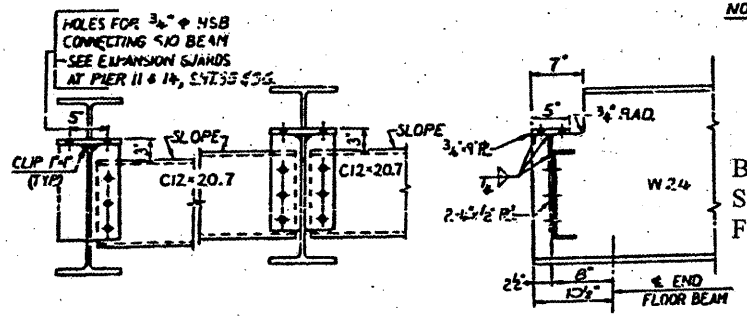
**SECTION C-C**



**TYPICAL STRINGER SPLICE**  
 SCALE: 1"=1'-0"



**CONNECTION OF STRINGER TO FLOOR BEAM**  
 SCALE: 1"=1'-0"



**DIAPHRAGM D3 DETAILS**  
 SCALE: 1"=1'-0"

**NOTES:**  
 ALL MATERIAL ASTM A36 UNLESS NOTED  
 ALL FASTENERS SHALL BE 3/4" ASTM A325  
 HIGH STRENGTH BOLTS UNLESS NOTED.  
 FOR FLOOR BEAMS, SEE SHT. 52.

BRIDGE NO. 1  
 STRUCTURE NO. 002-0022  
 FOR INFORMATION ONLY

**FLOOR STEEL DETAILS - SPANS 12, 13 & 14**  
**F. A. I. RTE. 57 OVER THE MISSISSIPPI RIVER**  
**PROJECT 1-57-9(5)D**  
**SECTION (02-1B-1)D**  
**ALEXANDER COUNTY, ILLINOIS**  
**MISSISSIPPI COUNTY, MISSOURI**  
**STA. 1141 + 84.75 TO STA. 1182 + 75.25**

ALFRED BENESCH & COMPANY  
 CONSULTING ENGINEERS  
 105 WABASH AVE. CHICAGO, ILLINOIS