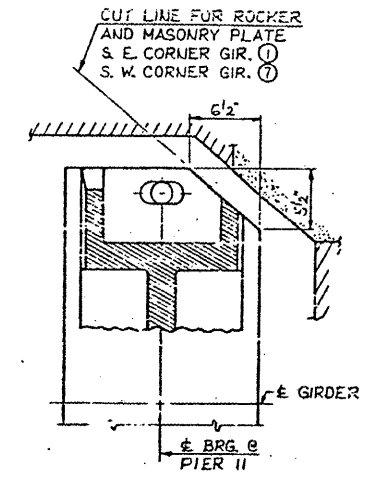
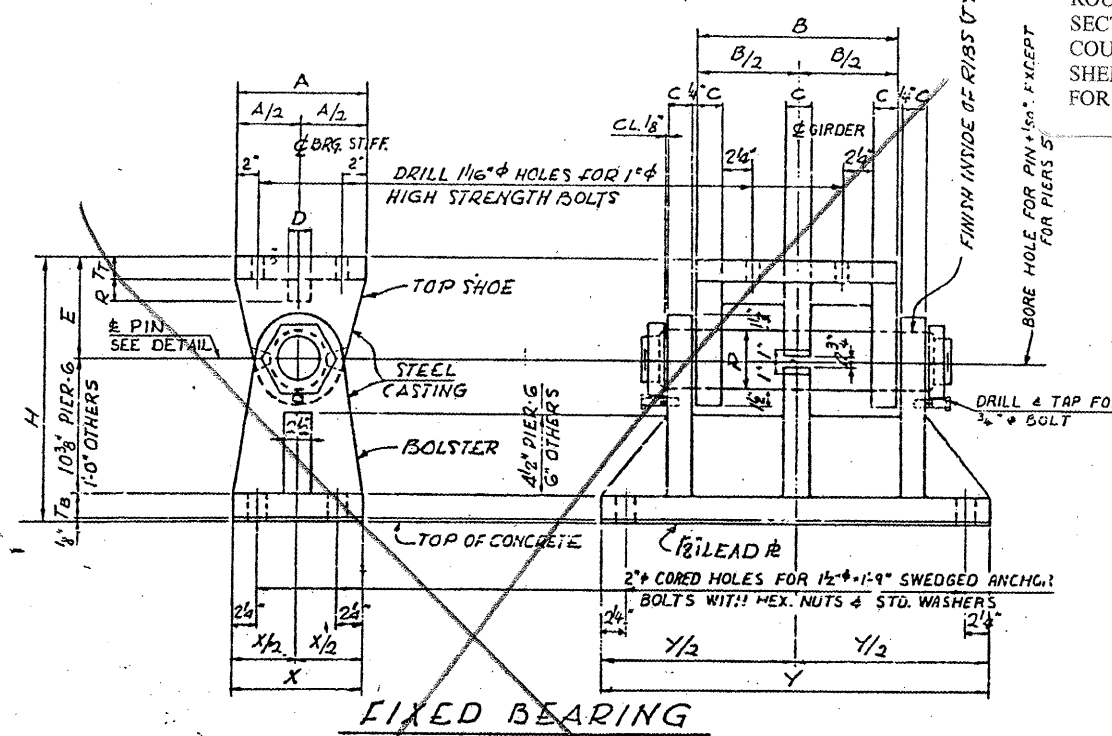
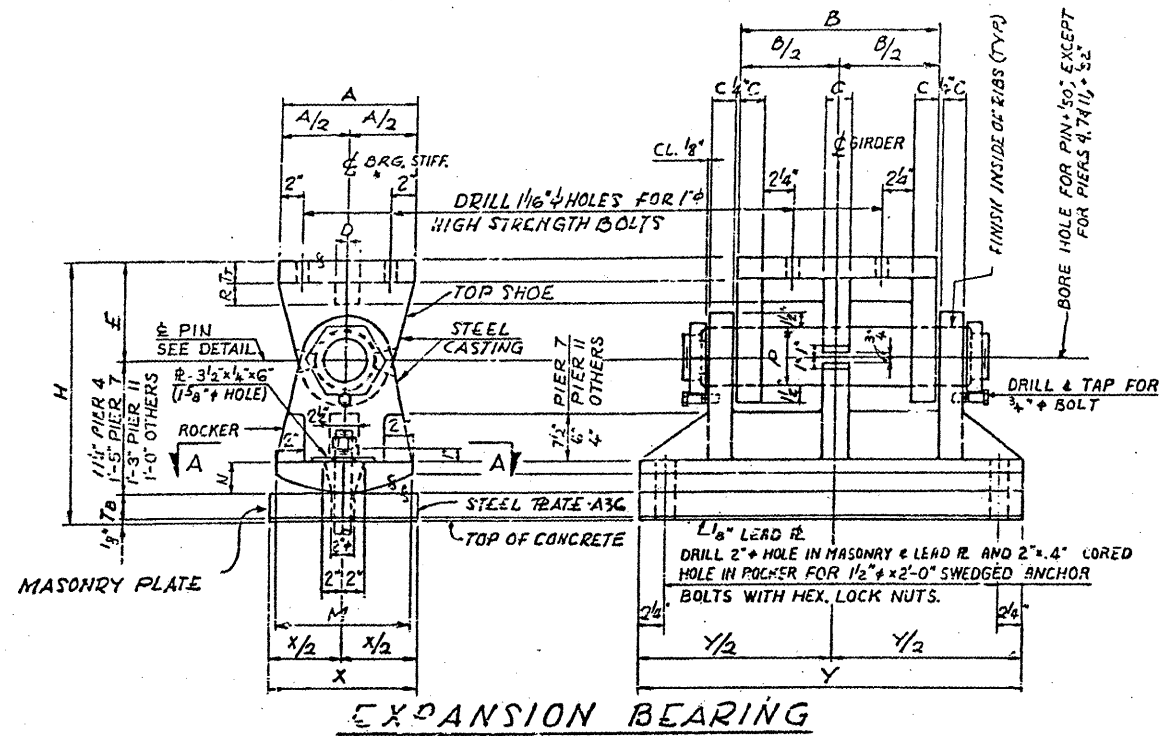


CONTRACT: 78040
 ROUTE: F.A.I. 57
 SECTION: (02-1B-1)P-1
 COUNTY: ALEXANDER, IL; MISSISSIPPI, MO
 SHEET 39 OF 67
 FOR INFORMATION ONLY

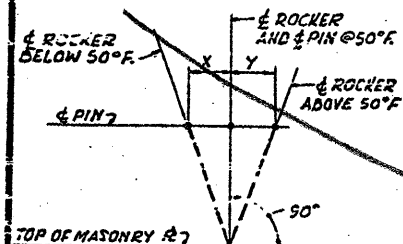


LOCATION	TOP SHOE								PIN Ø	ROCKER		MASONRY PLATE			
	A	B	Tt	C	D	E	R	P		M	N	X	Y	TB	H
NORTH ABUTMENT	1'-0"	1'-4"	1'-2"	1'-2"	1'-2"	9"	2"	3 1/2"	1'-0"	2'-2"	1'-0"	2'-7"	1'-2"	1'-10 5/8"	
PIER 2	1'-0"	1'-4"	2"	2'-4"	2"	9"	2"	5"	1'-0"	2'-2"	1'-0"	2'-9"	2"	1'-11 5/8"	
PIER 3	1'-0"	1'-6"	2"	2'-4"	2"	9"	2"	5"	1'-0"	2'-3 1/2"	1'-1"	2'-11"	2'-4"	1'-11 3/8"	
PIER 4	1'-3"	1'-8"	2"	2'-2"	2"	9"	2'-2"	5 3/4"	1'-0"	2'-3 1/2"	1'-3"	3'-2"	2'-1"	1'-10 5/8"	
PIER 7	1'-3"	2'-3"	2'-2"	3'-4"	3'-4"	10'-2"	4'-4"	6'-4"	1'-3"	2'-2"	1'-10"	4'-0"	3'-2"	2'-7 1/8"	
PIER 11-SPAN 9A	1'-3"	2'-0"	2"	2'-2"	2'-2"	9"	3'-2"	5'-3 1/2"	1'-3"	3'-2"	1'-6"	3'-7"	2'-3 1/2"	2'-2 1/8"	
PIER 14-SPAN 15	1'-0"	1'-4"	1'-2"	1'-2"	1'-2"	9"	2"	3 1/2"	1'-0"	2'-2"	1'-0"	2'-7"	1'-2"	1'-10 5/8"	
PIER 15	1'-0"	1'-4"	2"	2'-4"	2"	9"	2"	5"	1'-0"	2'-2"	1'-1"	2'-9"	2'-6"	1'-11 3/8"	
PIER 18	1'-0"	1'-4"	2"	2'-4"	2"	9"	2"	5"	1'-0"	2'-2"	1'-1"	2'-9"	2'-6"	1'-11 3/8"	
SOUTH ABUTMENT	1'-0"	1'-4"	1'-2"	1'-2"	1'-2"	9"	2"	3 1/2"	1'-0"	2'-2"	1'-0"	2'-7"	1'-2"	1'-10 5/8"	

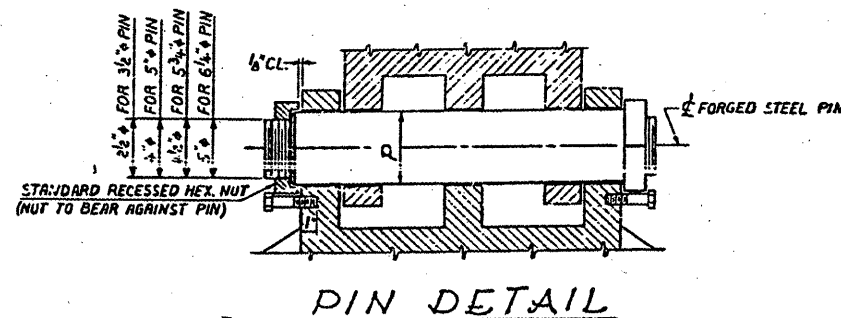
LOCATION	TOP SHOE								PIN Ø	BOLSTER			
	A	B	Tt	C	D	E	R	P		X	Y	TB	H
PIER 1	1'-0"	1'-6"	2"	2'-4"	2"	9"	2"	5"	1'-2"	2'-11"	2'-2"	1'-11 5/8"	
PIER 5	1'-3"	1'-8"	2"	2'-4"	2"	9"	2'-2"	5 3/4"	1'-3"	3'-2"	2'-3 1/2"	1'-11 3/8"	
PIER 6	1'-3"	1'-8"	2"	2'-4"	2"	9"	2'-2"	5 3/4"	1'-3"	3'-2"	2'-3 1/2"	1'-10 1/2"	
PIER 16	1'-0"	1'-4"	2"	2'-4"	2"	9"	2"	5"	1'-2"	2'-9"	2'-2"	1'-11 5/8"	
PIER 17	1'-0"	1'-4"	2"	2'-4"	2"	9"	2"	5"	1'-2"	2'-9"	2'-2"	1'-11 5/8"	

NOTES:

- FOR DETAILS OF FIXED BEARING AT PIER 9 SEE SHT. 12
- CAST STEEL SHALL CONFORM TO A. S. T. M. A-486-65, CLASS 70, NORMALIZED.
- FORGED STEEL SHALL CONFORM TO A. S. T. M. A-235-65, CLASS F.
- ALL OTHER MATERIAL SHALL CONFORM TO A. S. T. M. A-36 EXCEPT AS OTHERWISE NOTED.
- STRUCTURAL STEEL WELDMENTS OF EQUAL SECTION AND STRENGTH MAY BE SUBSTITUTED FOR THE CASTINGS SUBJECT TO APPROVAL OF ENGINEER.
- CASTINGS, BEARING PLATES, LEAD PLATES, ANCHOR BOLTS AND MISCELLANEOUS ITEMS SHALL BE FABRICATED AND SET IN ACCORDANCE WITH SECTION 507 OF THE STANDARD SPECIFICATIONS AND ARE INCLUDED IN THE QUANTITY OF STRUCTURAL STEEL. PLAN WEIGHT OF BEARINGS IS 189,785 POUNDS WHICH INCLUDES 131,410 POUNDS OF CAST STEEL.



LOCATION	CORRECTION FOR TEMPERATURE-ROCKER SETTING							
	-10°F	10°F	30°F	50°F	70°F	90°F	110°F	
N. ABUT.	1/2"	3/8"	3/16"	0"	3/16"	3/8"	1/2"	
PIER 2	1/2"	3/8"	3/16"	0"	3/16"	3/8"	1/2"	
PIER 3	1"	3/4"	3/8"	0"	3/8"	3/4"	1"	
PIER 4	1 1/2"	3/4"	3/8"	0"	3/8"	3/4"	1 1/2"	
PIER 7	1 3/4"	1 1/2"	3/8"	0"	3/8"	1 1/2"	1 3/4"	
PIER 11-SPAN 9A	1 1/2"	1 1/2"	3/8"	0"	3/8"	1 1/2"	1 1/2"	
PIER 14-SPAN 15	1 1/2"	3/8"	3/8"	0"	3/8"	3/8"	1 1/2"	
PIER 15	1 1/2"	3/8"	3/8"	0"	3/8"	3/8"	1 1/2"	
PIER 18	1 1/2"	3/8"	3/8"	0"	3/8"	3/8"	1 1/2"	
S. ABUT.	1 1/2"	3/8"	3/8"	0"	3/8"	3/8"	1 1/2"	



BRIDGE NO. 1
 STRUCTURE NO. 002-0022
 FOR INFORMATION ONLY

ALFRED BENESCH & COMPANY
 CONSULTING ENGINEERS
 103 WABASH AVE. CHICAGO, ILLINOIS

BEARING DETAILS - SPANS 1 TO 9A & 19
 F.A.I. RTE. 57 OVER THE MISSISSIPPI RIVER
 PROJECT 1-57-9(6)0
 SECTION (02-1B-1)P
 ALEXANDER COUNTY, ILLINOIS
 MISSISSIPPI COUNTY, MISSOURI
 STA. 1141 + 84.75 TO STA. 1182 + 75.25