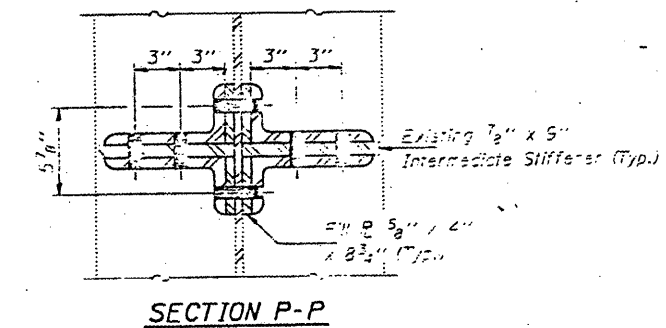
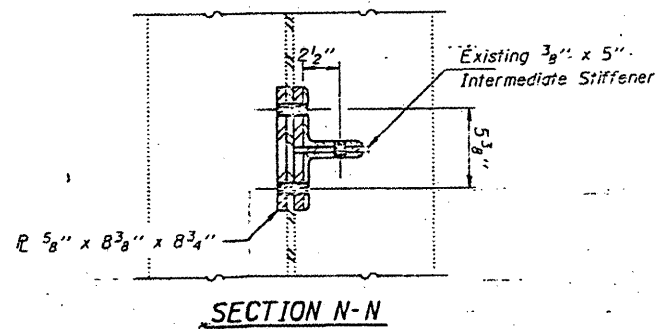
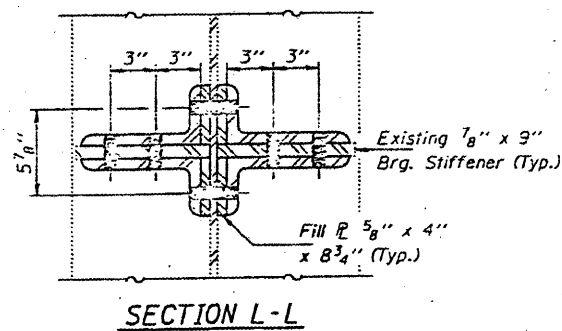
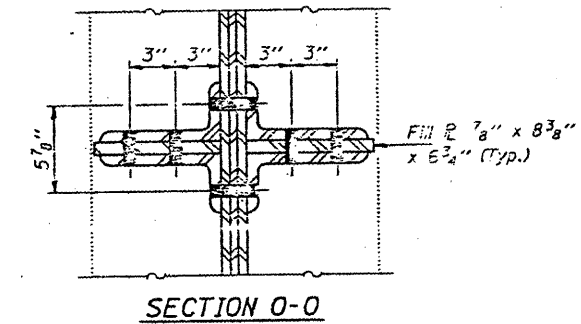
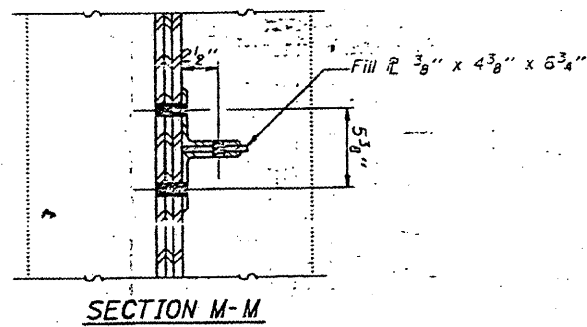
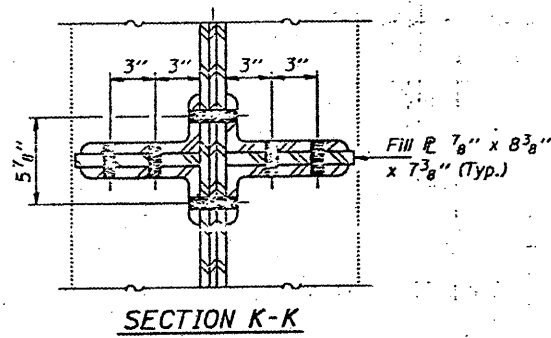
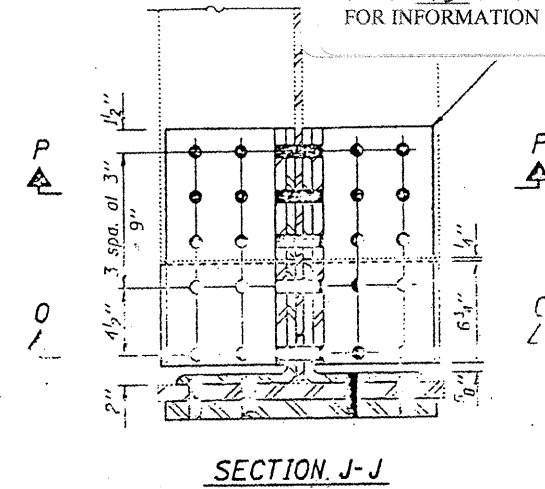
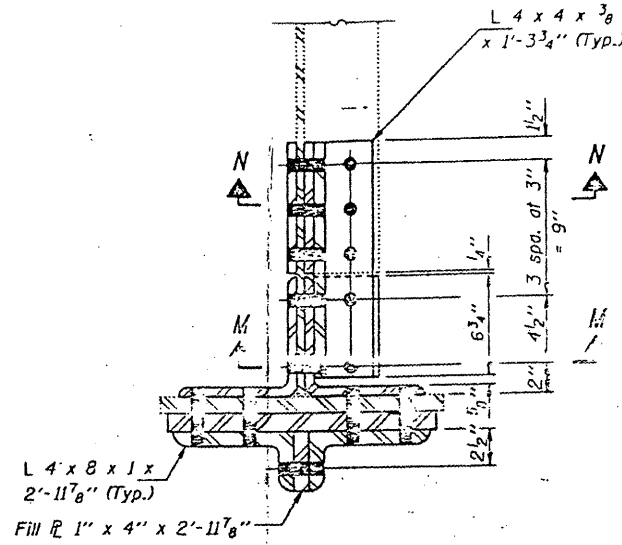
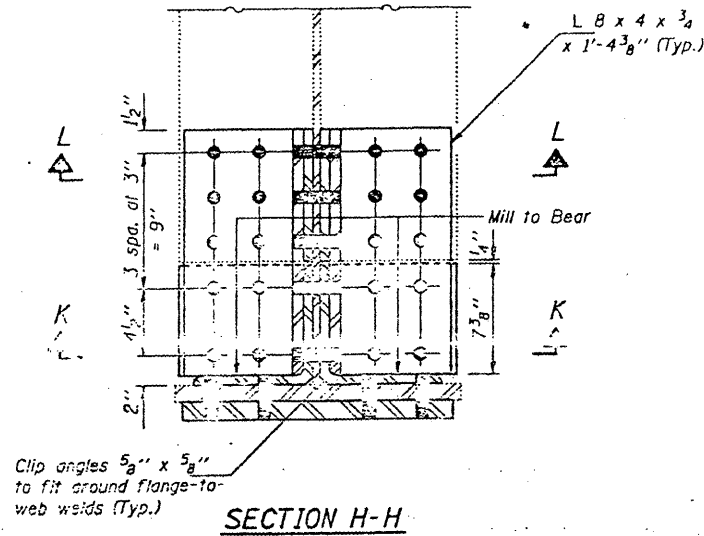


STATE OF ILLINOIS  
DEPARTMENT OF TRANSPORTATION

CONTRACT: 78040  
ROUTE: F.A.I. 57  
SECTION: (02-1B-1)P-1  
COUNTY: ALEXANDER, IL; MISSISSIPPI, MO  
SHEET 43 OF 67  
FOR INFORMATION ONLY



DESIGNED	Kenneth P. Suttis
CHECKED	CHM
DRAWN	Paul Summer
CHECKED	KPS CHM

March 8 1993

EXAMINED	Todd E. Adams
PASSED	
APPROVED	

ENGINEER OF STRUCTURAL SERVICES  
DESIGNER OF BRIDGES AND STRUCTURES  
DIRECTOR OF HIGHWAYS

BRIDGE NO. 1  
STRUCTURE NO. 002-0022  
FOR INFORMATION ONLY

FLOOR BEAM REPAIRS  
F.A.I. RT. 57 SEC. (02-1B-1) (DL-63)  
ALEXANDER COUNTY  
STA. 1168+50  
STR. No. 002-0022