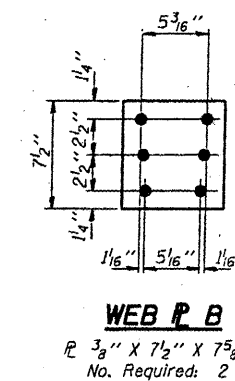
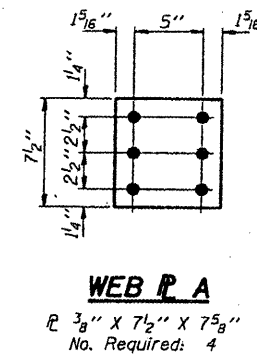
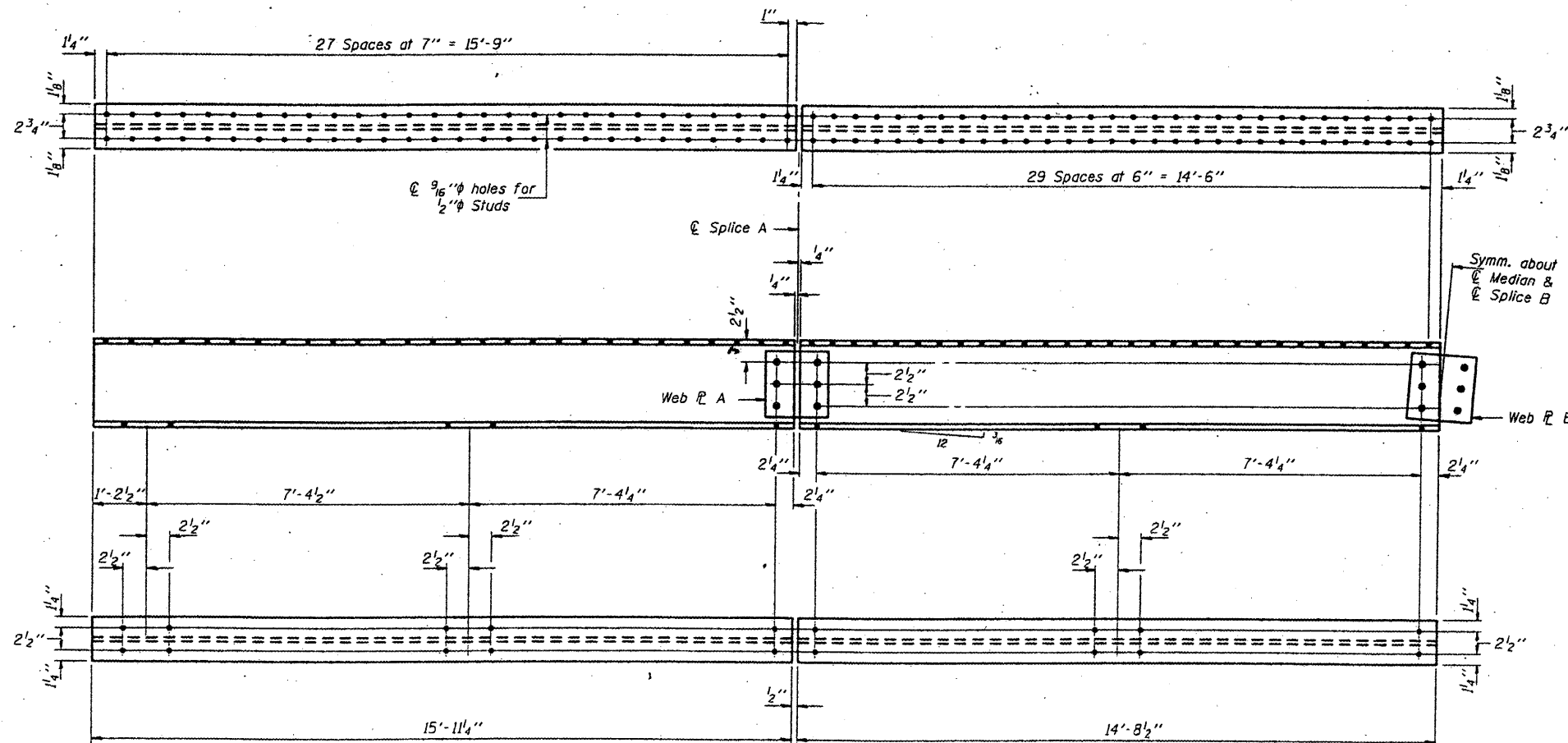
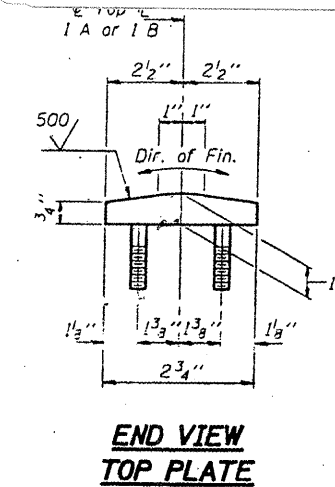
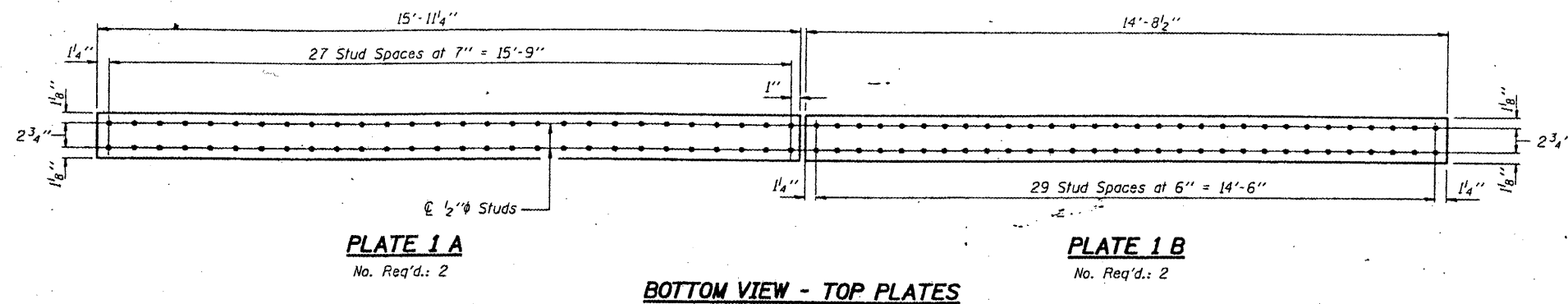


STATE OF ILLINOIS  
DEPARTMENT OF TRANSPORTATION

CONTRACT: 78040  
ROUTE: F.A.I. 57  
SECTION: (02-1B-1)P-1  
COUNTY: ALEXANDER, IL; MISSISSIPPI, MO  
SHEET 47 OF 67  
FOR INFORMATION ONLY



DESIGNED	C.M.E.	APRIL 22	1997
CHECKED	V.H.V.	EXAMINED	<i>John E. Adams</i> ENGINEER OF STRUCTURAL SERVICES
DRAWN	D-herbert	PASSED	ENGINEER OF BRIDGES AND STRUCTURES
CHECKED	R.P.S. C.M.E.		

BRIDGE NO. 1  
STRUCTURE NO. 002-0022  
FOR INFORMATION ONLY

**BRIDGE REPAIRS**  
**F.A.I. 57 OVER MISSISSIPPI RIVER**  
**SEC. 02-1B-1**  
**ALEXANDER COUNTY**  
**S.N. 002-0022**