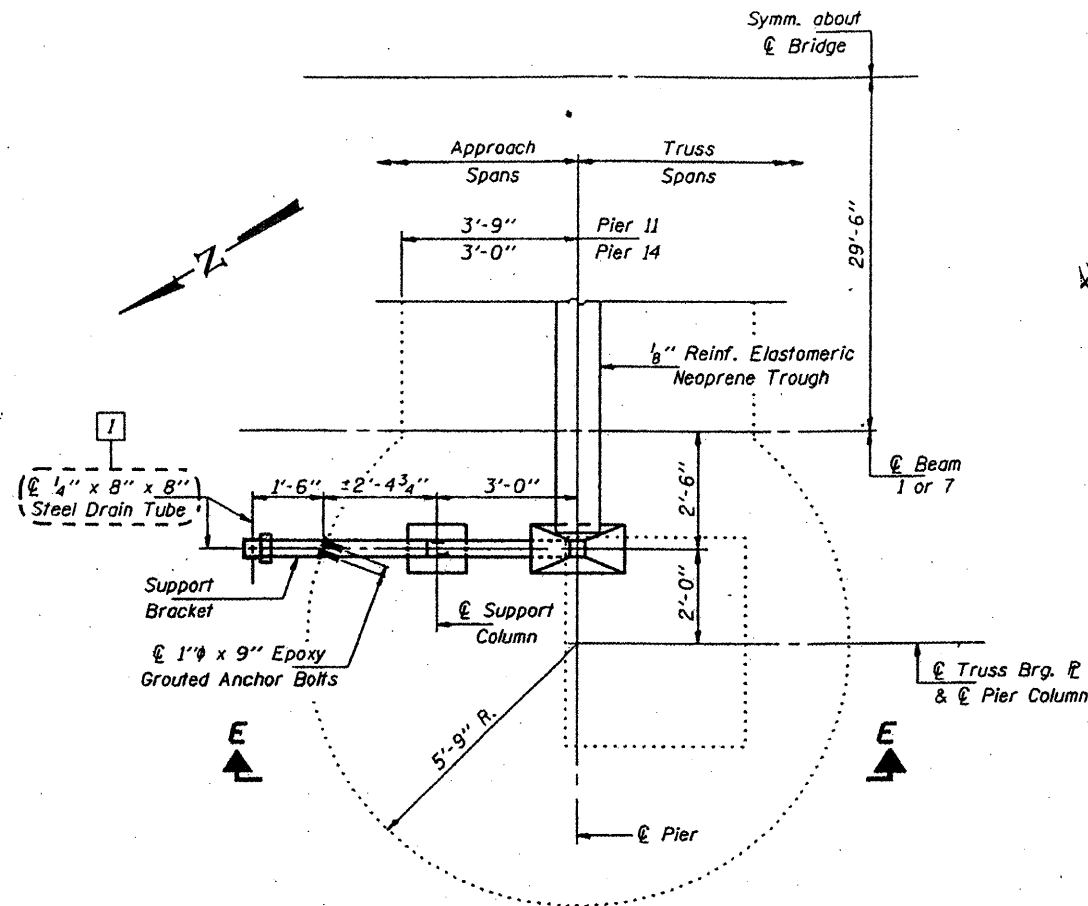
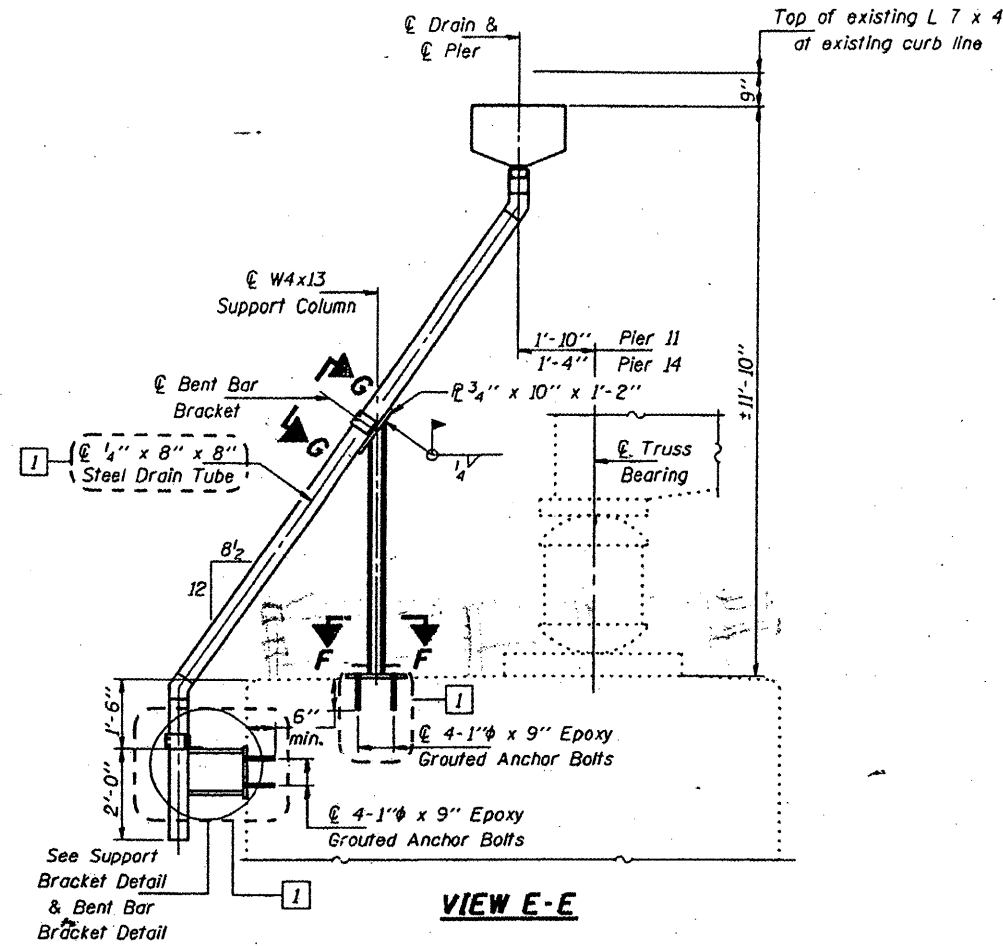


STATE OF ILLINOIS
DEPARTMENT OF TRANSPORTATION

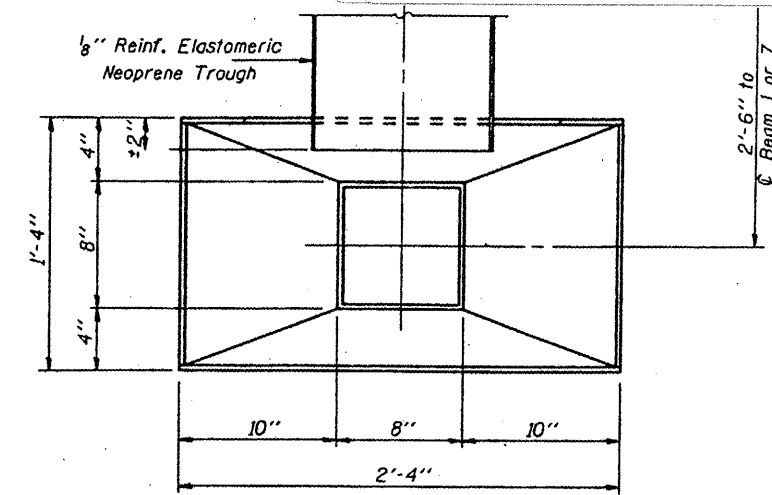
CONTRACT: 78040
ROUTE: F.A.I. 57
SECTION: (02-1B-1)P-1
COUNTY: ALEXANDER, IL, MISSISSIPPI, MO
SHEET 48 OF 67
FOR INFORMATION ONLY



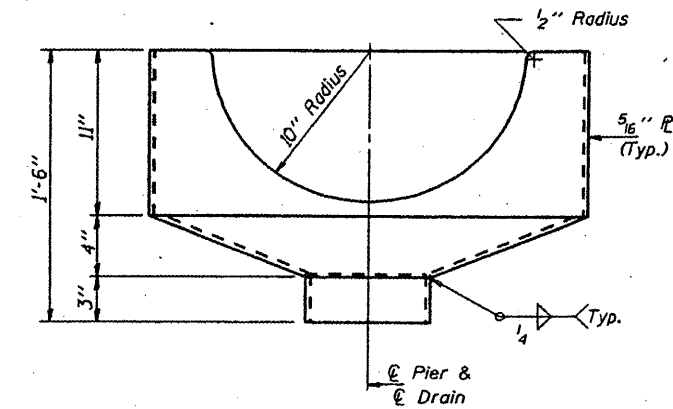
PARTIAL PLAN - PIER II
(Pier 14 similar by rotation of 180°)



VIEW E-E

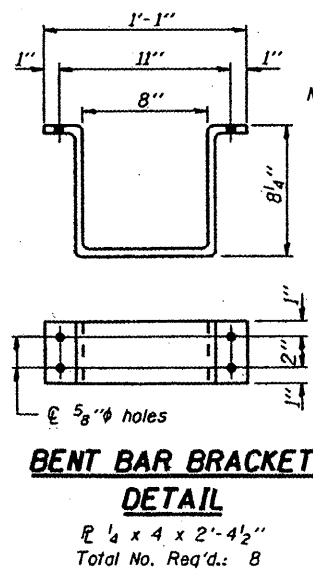


TOP VIEW

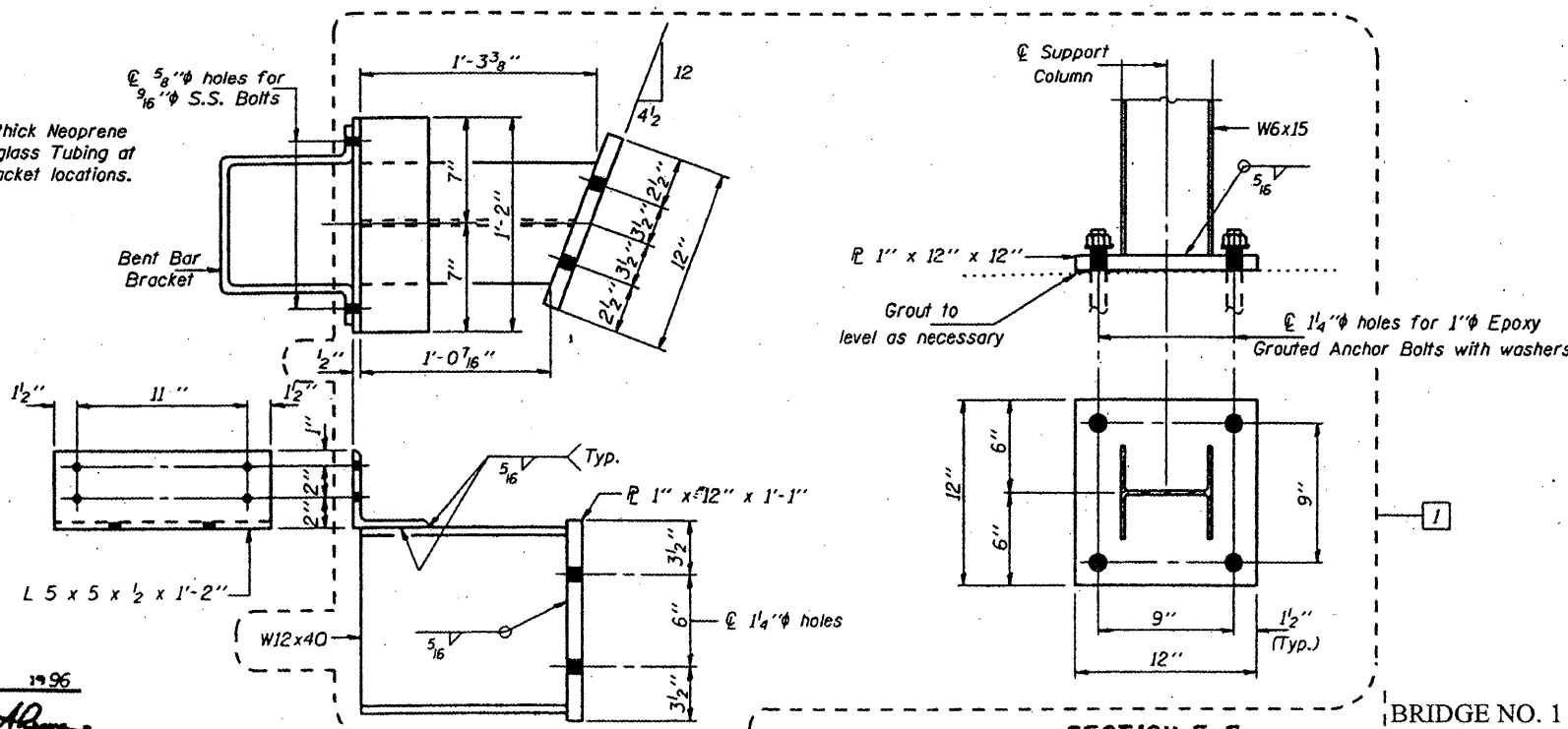


DRAIN ELEVATION
(Looking out from Bridge)

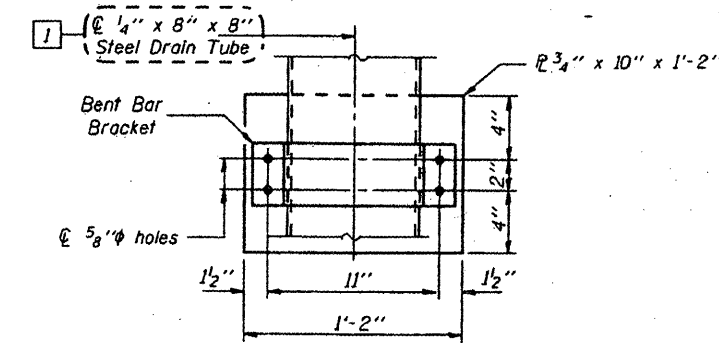
Total No. Req'd.: 4



BENT BAR BRACKET DETAIL
L 1/4 x 4 x 2'-4 1/2"
Total No. Req'd.: 8



SECTION F-F
Total No. Req'd.: 4



VIEW G-G

DRAIN DETAILS
F.A.I. 57 OVER MISSISSIPPI RIVER
SEC. 02-1B-1
ALEXANDER COUNTY
S.N. 002-0022

DESIGNED	DAH KPS
CHECKED	NJS
DRAWN	D-terbert
CHECKED	NJS KPS

AUGUST 21 1996
EXAMINED *Scott E. Adams*
ENGINEER OF STRUCTURAL SERVICES
PASSED
ENGINEER OF BRIDGES AND STRUCTURES

BRIDGE NO. 1
STRUCTURE NO. 002-0022
FOR INFORMATION ONLY

SUPPORT BRACKET
Total No. Req'd.: 4