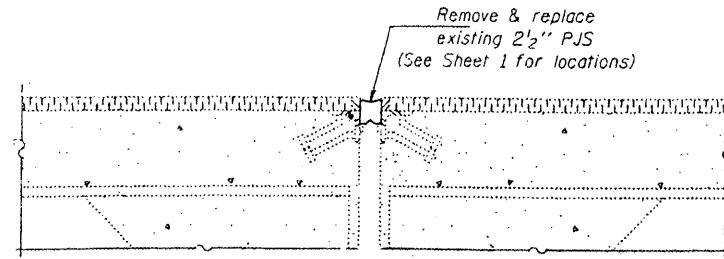
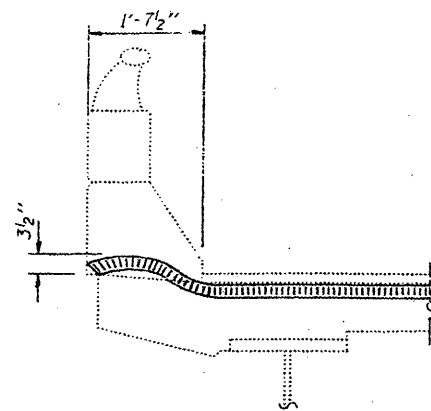


STATE OF ILLINOIS
DEPARTMENT OF TRANSPORTATION

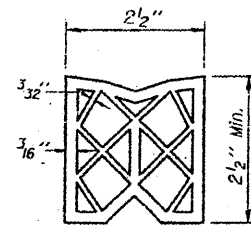
CONTRACT: 78040
ROUTE: F.A.I. 57
SECTION: (02-1B-1)P-1
COUNTY: ALEXANDER, IL; MISSISSIPPI, MO
SHEET 49 OF 67
FOR INFORMATION ONLY



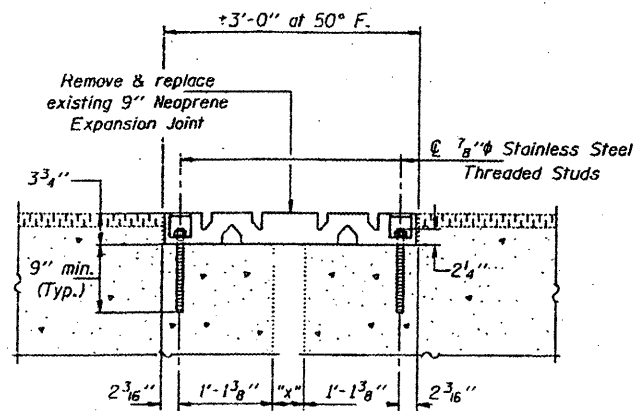
SECTION THRU PJS JOINTS



END OF SEAL TREATMENT

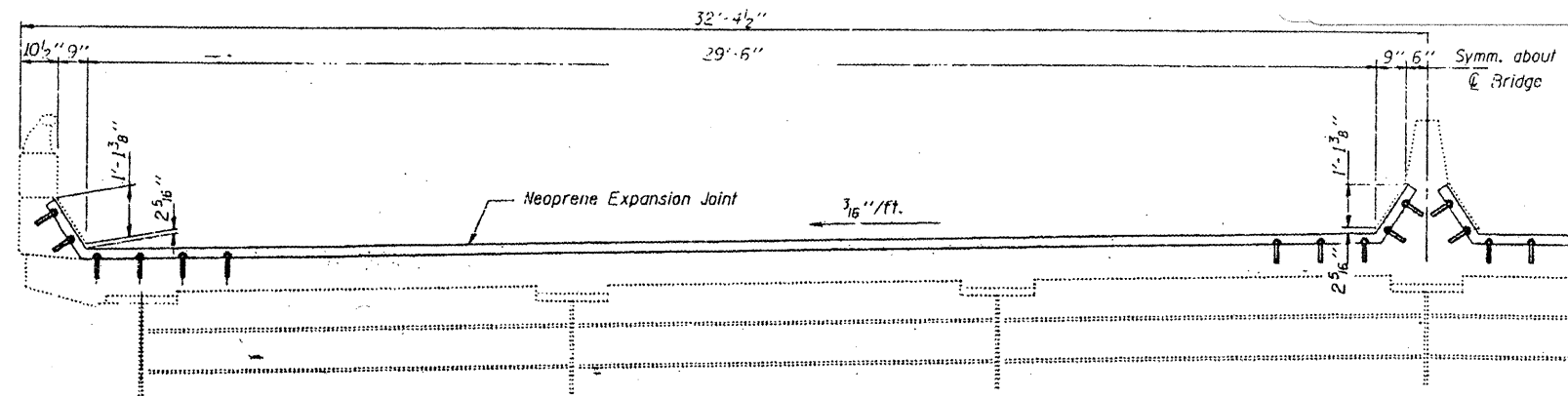


2 1/2" PREFORMED JOINT SEAL

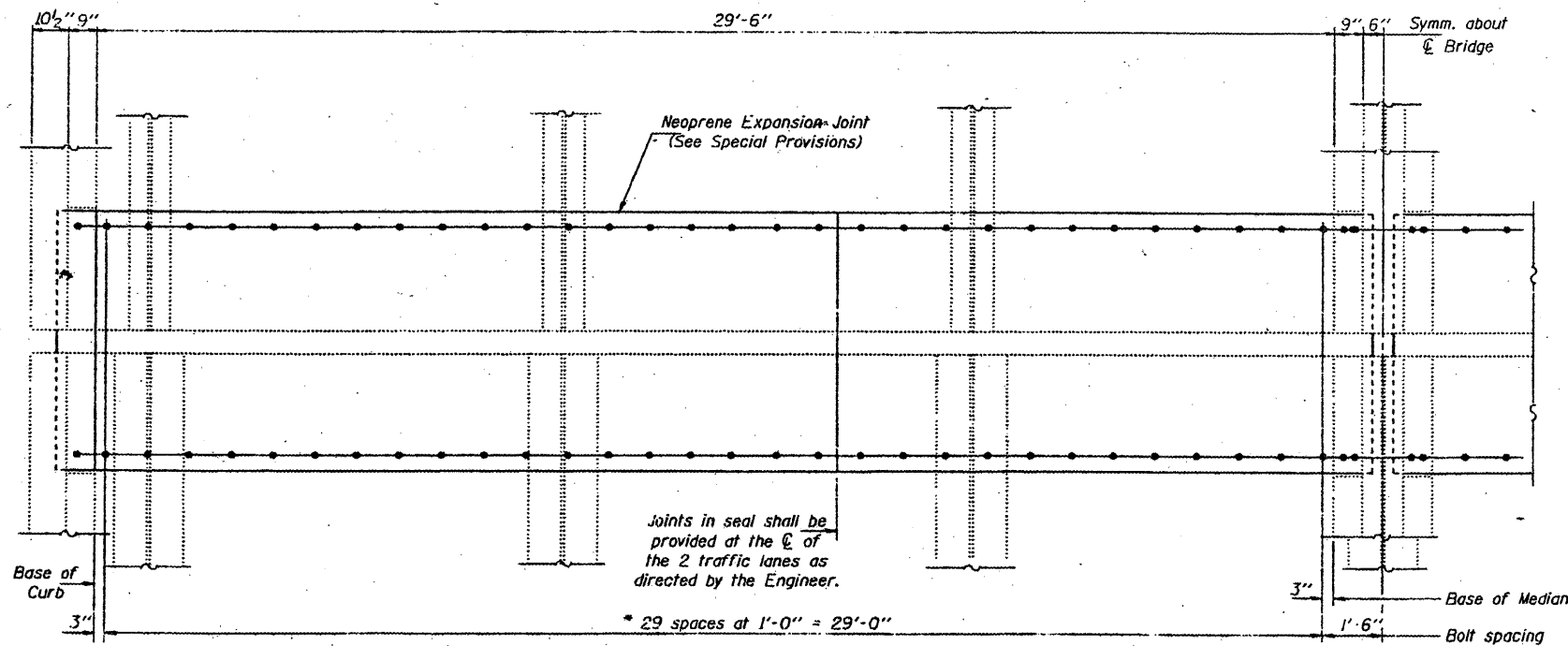


Temp. (°F.)	Dim. "x"
130	3 1/2"
110	4 1/8"
90	4 1/2"
70	5 1/8"
50	5 1/2"
30	6 1/8"
10	6 1/2"
-10	7 1/8"
-30	7 1/2"

SECTION THRU NEOPRENE EXP. JT. (9")



ELEVATION



PLAN
EXPANSION GUARD - SPANS 4 & 6
(Plans 4 & 7)

* Remove existing 7/8" ϕ studs by flame cutting and grind flush with top of concrete. Epoxy grout new 7/8" ϕ Stainless Steel threaded studs in 1/8" ϕ x 9" (min.) drilled holes.

DESIGNED	KPS	AUGUST 21	19 96
CHECKED	NJS	EXAMINED	<i>John E. Adams</i> ENGINEER OF STRUCTURAL SERVICES
DRAWN	DHerbert	PASSED	
CHECKED	NJS KPS		ENGINEER OF BRIDGES AND STRUCTURES

BRIDGE NO. 1
STRUCTURE NO. 002-0022
FOR INFORMATION ONLY

BRIDGE REPAIRS
F.A.I. 57 OVER MISSISSIPPI RIVER
SEC. 02-1B-1
ALEXANDER COUNTY
S.N. 002-0022