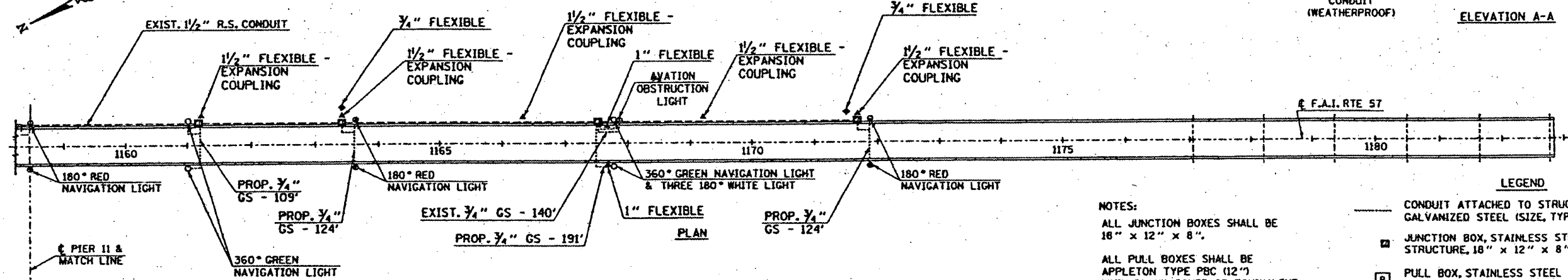
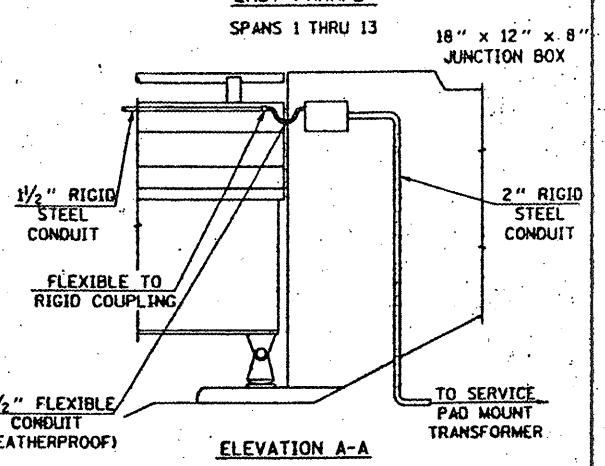
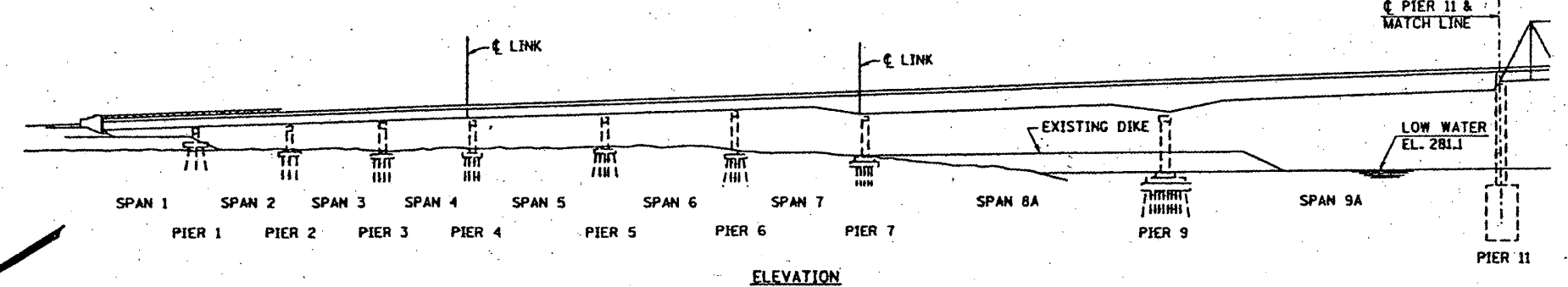
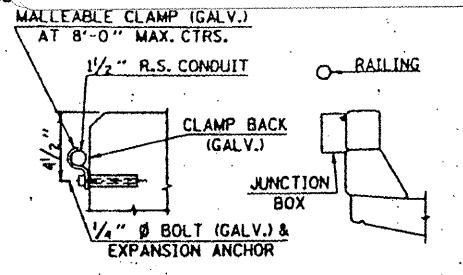
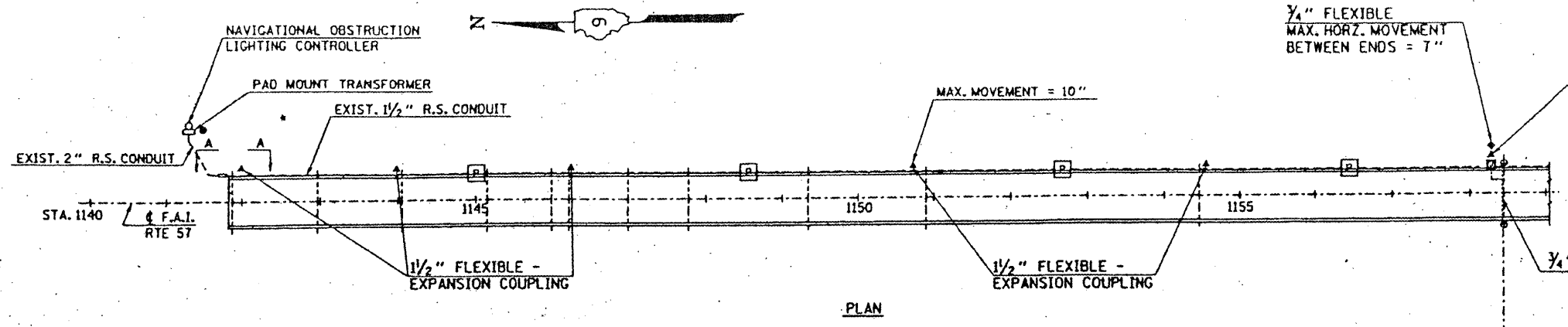
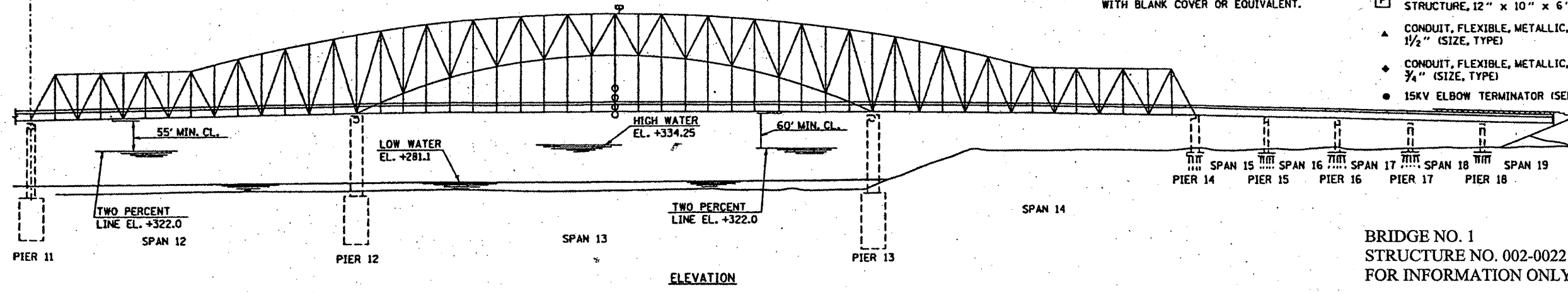


CONTRACT: 78040
 ROUTE: F.A.I. 57
 SECTION: (02-1B-1)P-1
 COUNTY: ALEXANDER, IL, MISSISSIPPI, MO
 SHEET 51 OF 67
 FOR INFORMATION ONLY



NOTES:
 ALL JUNCTION BOXES SHALL BE 18" x 12" x 8".
 ALL PULL BOXES SHALL BE APPLETON TYPE PBC (12") WITH BLANK COVER OR EQUIVALENT.

- LEGEND
- CONDUIT ATTACHED TO STRUCTURE, 3/4" DIA. GALVANIZED STEEL (SIZE, TYPE, LENGTH)
 - ▣ JUNCTION BOX, STAINLESS STEEL, ATTACHED TO STRUCTURE, 18" x 12" x 8"
 - ▣ PULL BOX, STAINLESS STEEL ATTACHED TO STRUCTURE, 12" x 10" x 6"
 - ▲ CONDUIT, FLEXIBLE, METALLIC, WEATHERPROOF, 1/2" (SIZE, TYPE)
 - ◆ CONDUIT, FLEXIBLE, METALLIC, WEATHERPROOF, 3/4" (SIZE, TYPE)
 - 15KV ELBOW TERMINATOR (SEE PAGE 8)



BRIDGE NO. 1
 STRUCTURE NO. 002-0022
 FOR INFORMATION ONLY