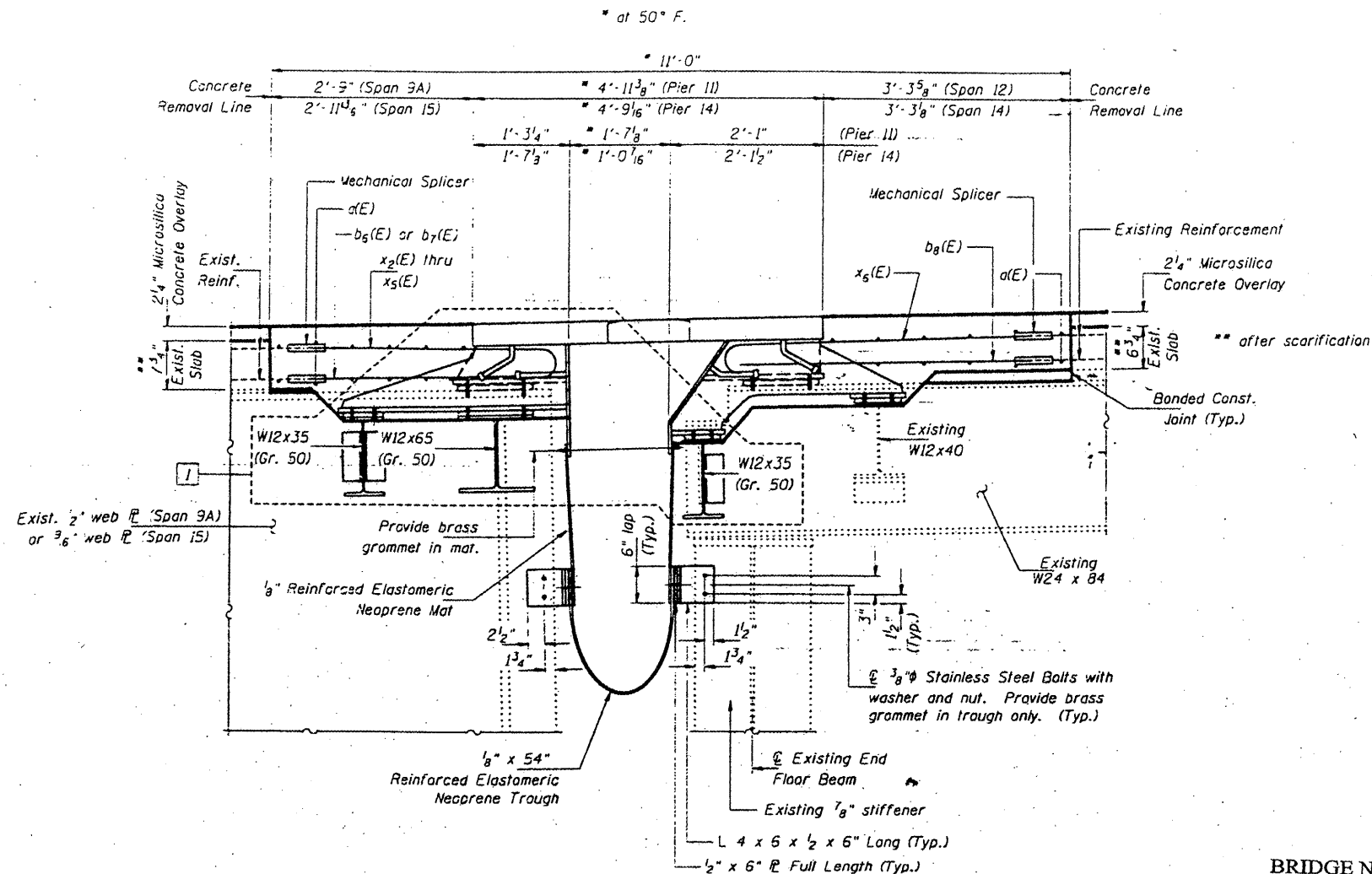


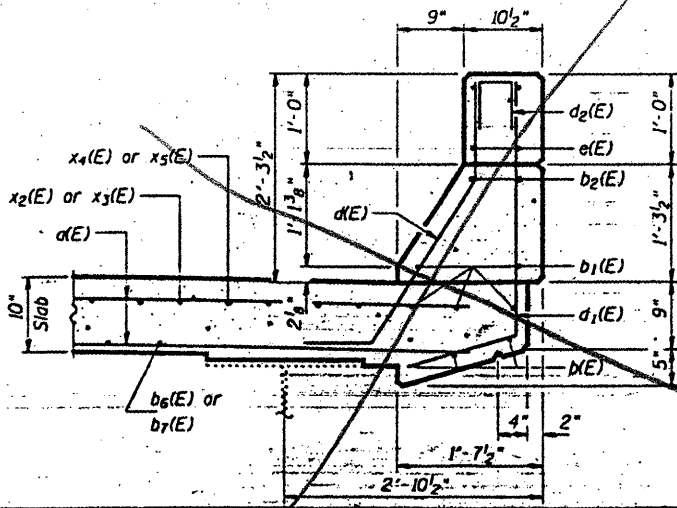
STATE OF ILLINOIS
DEPARTMENT OF TRANSPORTATION

CONTRACT: 78040
ROUTE: F.A.I. 57
SECTION: (02-1B-1)P-1
COUNTY: ALEXANDER, IL; MISSISSIPPI, MO
SHEET 59 OF 67
FOR INFORMATION ONLY

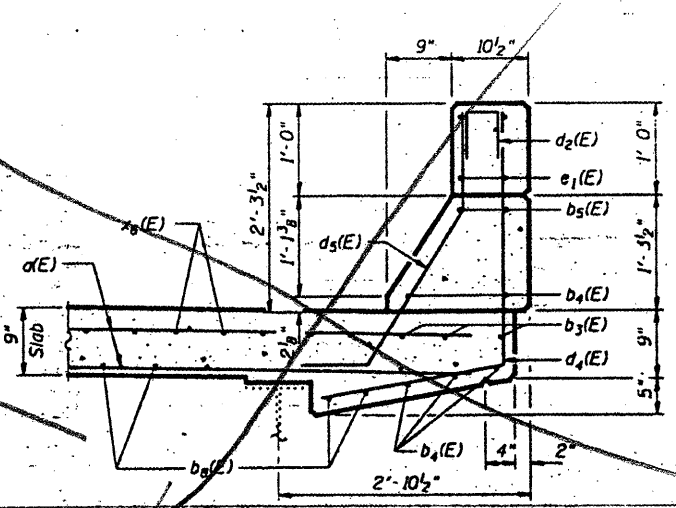


SECTION B-B
Pier 11 shown; Pier 14 similar

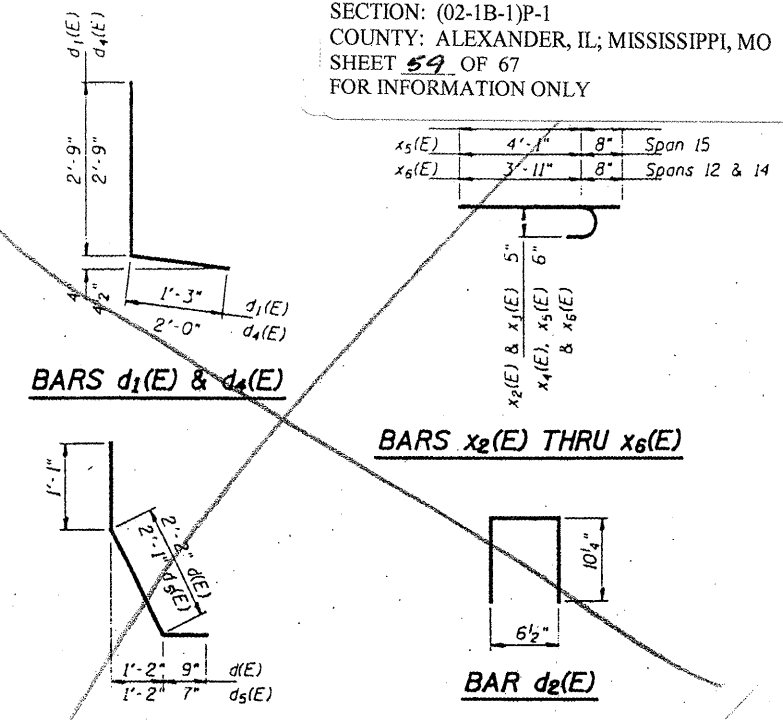
BRIDGE NO. 1
STRUCTURE NO. 002-0022
FOR INFORMATION ONLY



SECTION THRU CURB - SPAN 9A & 15



SECTION THRU CURB - SPAN 12 & 14



PIERS 11 & 14
BILL OF MATERIAL

Bar	No.	Size	Length	Shape
d(E)	92	#6	29'-10"	
b(E)	12	#6	4'-2"	
d1(E)	20	#5	4'-2"	
b2(E)	8	#8	4'-2"	
b3(E)	12	#7	4'-8"	
d4(E)	20	#5	4'-8"	
b5(E)	8	#8	4'-8"	
b6(E)	60	#6	3'-3"	
b7(E)	50	#6	3'-9"	
b8(E)	180	#5	4'-0"	
e(E)	16	#5	4'-0"	
d1(E)	20	#4	4'-0"	
d2(E)	16	#4	2'-3"	
d3(E)	8	#5	3'-3"	
d4(E)	24	#4	4'-9"	
d5(E)	20	#5	3'-9"	
e(E)	16	#4	4'-2"	
e1(E)	16	#4	4'-8"	
x2(E)	60	#5	3'-10"	
x3(E)	60	#5	4'-2"	
x4(E)	58	#6	4'-5"	
x5(E)	58	#6	4'-9"	
x6(E)	236	#6	4'-7"	
Reinforcement Bars, Epoxy Coated	Pound		9410	
Concrete Superstructure	Cu. Yds.		33.6	
Concrete Removal	Cu. Yds.		31.7	
Mechanical Splice	Each		768	

Reinforcement bars designated (E) shall be epoxy coated.

EXPANSION JOINT DETAILS - PIER 11 & 14
F.A.I. 57 OVER MISSISSIPPI RIVER
ALEXANDER COUNTY
S.N. 002-0022

DESIGNED	P.S.J.	FEBRUARY 4, 2002
CHECKED	A.T.H.	EXAMINED <i>John A. Morris</i>
DRAWN	John P. Schmittler Jr.	ENGINEER OF STRUCTURAL SERVICES
CHECKED	A.T.H. P.S.J.	PASSED
		ENGINEER OF BRIDGES AND STRUCTURES