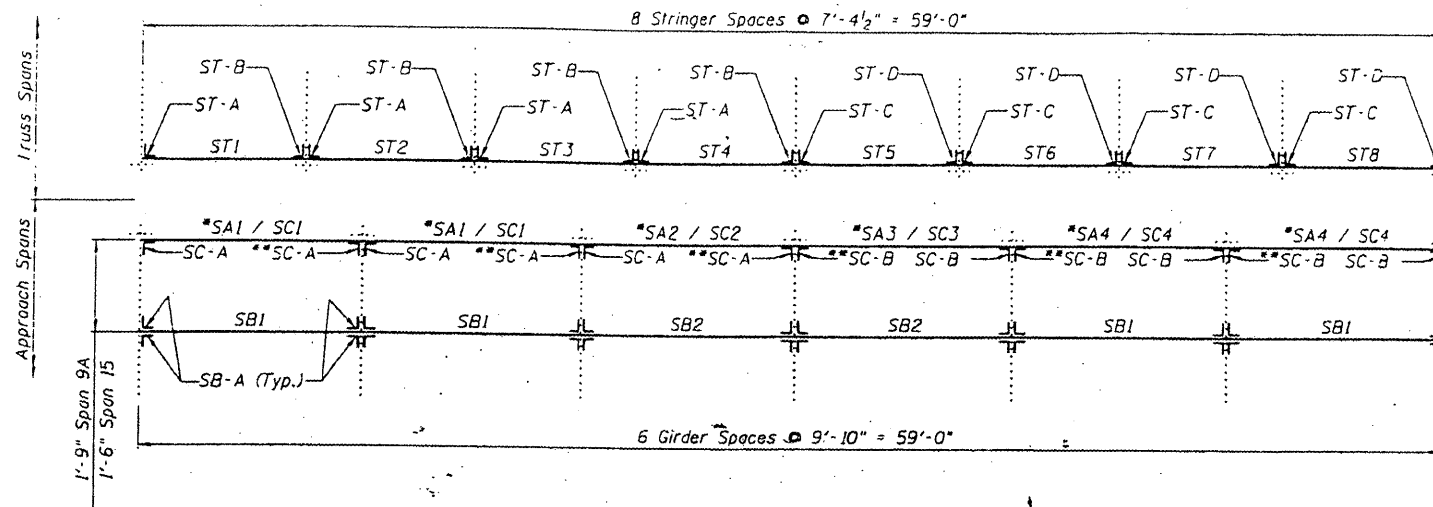


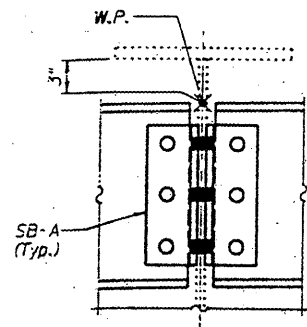
STATE OF ILLINOIS  
DEPARTMENT OF TRANSPORTATION

CONTRACT: 78040  
ROUTE: F.A.I. 57  
SECTION: (02-1B-1)P-1  
COUNTY: ALEXANDER, IL; MISSISSIPPI, MO  
SHEET 60 OF 67  
FOR INFORMATION ONLY

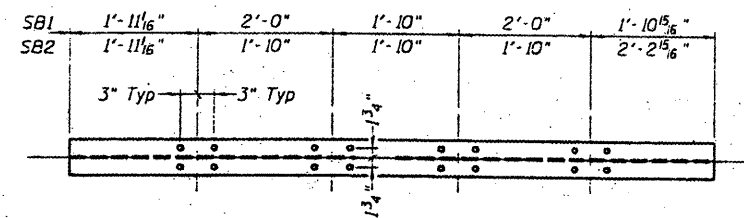


**PARTIAL FRAMING PLAN AT PIERS 11 AND 14**

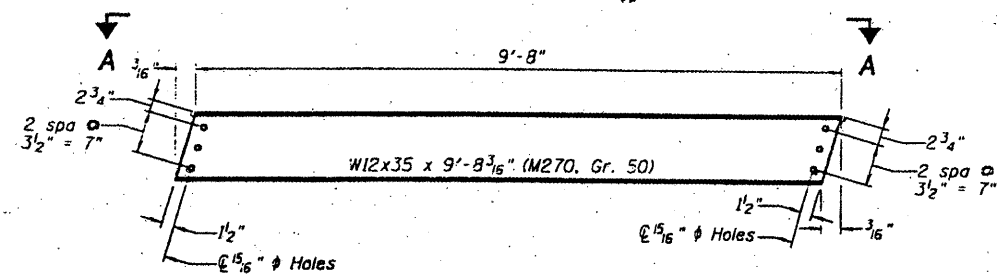
\* SA# at Span 9A (no clip angles req'd), SC# at Span 15  
\*\* Inverted top for bottom from detail shown on Sheet 6B of 14.



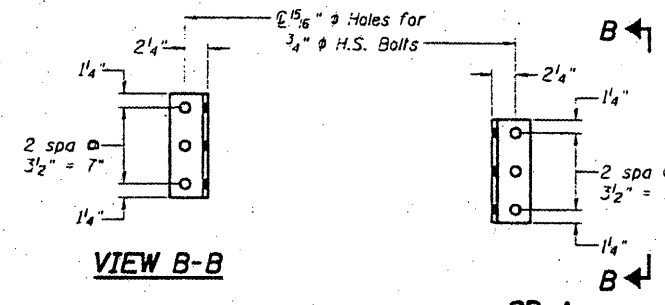
**DETAIL A**



**VIEW A-A**

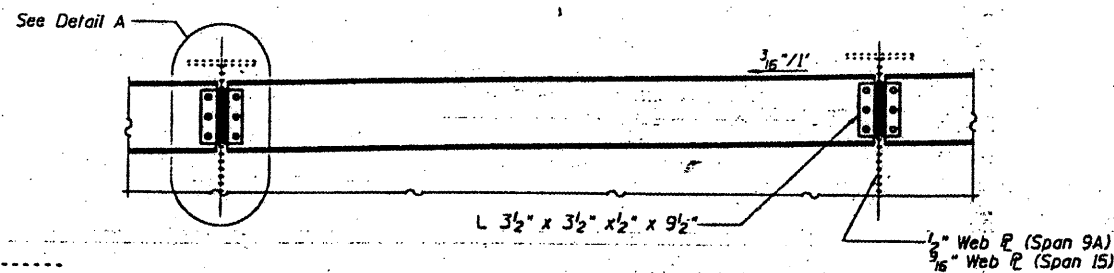


**SB1 AND SB2**  
(SB1 8 Req'd, SB2 4 Req'd)



**VIEW B-B**

**SB-A**  
(48 Req'd)



Work this sheet with Sheets 6B and 6C.

Cost of required field drilling is included with  
Furnishing and Erecting Structural Steel.

Hardened washers will be required at  
all oversized hole locations.

DESIGNED	P.S.J.
CHECKED	A.T.H.
DRAWN	Drew Christopher
CHECKED	A.T.H. P.S.J.

EXAMINED *John DeMoss*  
ENGINEER OF STRUCTURAL SERVICES  
PASSED  
ENGINEER OF BRIDGES AND STRUCTURES

**BACK STOOL SUPPORT - SPANS 9A AND 15**

BRIDGE NO. 1  
STRUCTURE NO. 002-0022  
FOR INFORMATION ONLY

**STOOL SUPPORT DETAILS**  
**F.A.I. 57 OVER MISSISSIPPI RIVER**  
**ALEXANDER COUNTY**  
**S.N. 002-0022**