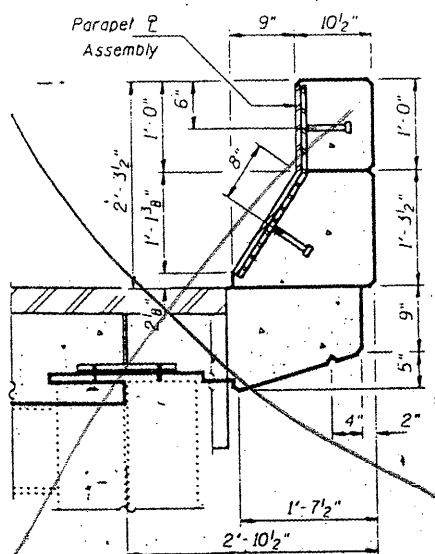


STATE OF ILLINOIS  
DEPARTMENT OF TRANSPORTATION

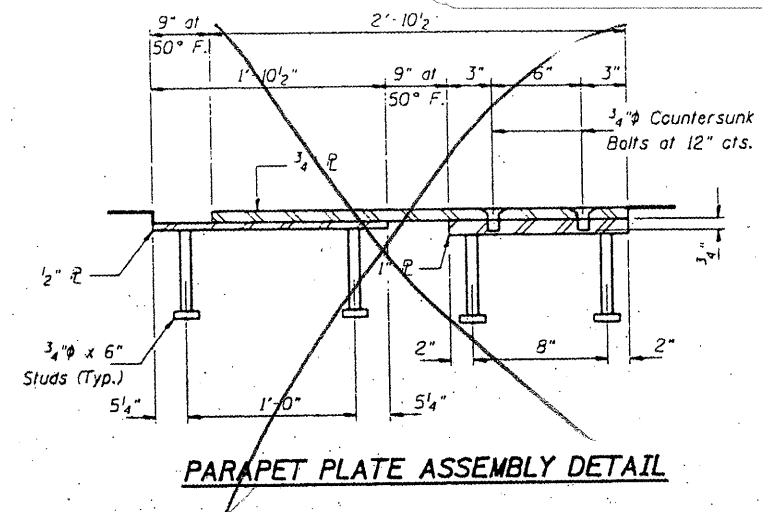
CONTRACT: 78040  
ROUTE: F.A.I. 57  
SECTION: (02-1B-1)P-1  
COUNTY: ALEXANDER, IL; MISSISSIPPI, MO  
SHEET 65 OF 67  
FOR INFORMATION ONLY

TROUGH DIMENSIONS

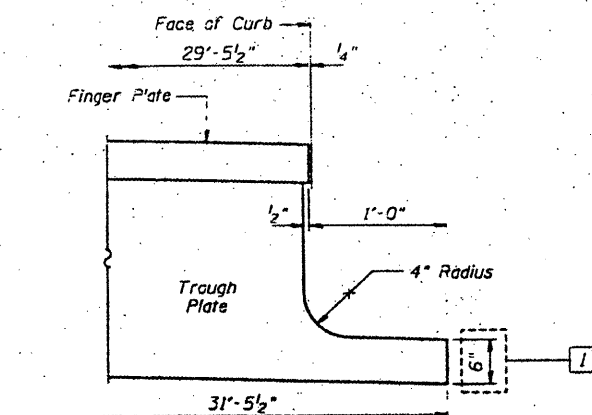
SLOPE/ DIMENSION	Pier 11	Pier 14
"V"	1 1/4" / ft.	7/8" / ft.
"W"	1" / ft.	5/8" / ft.
"X"	3'-6 3/4"	4'-10 1/2"
"Y" Approach Span	G1	3'-0 1/2"
	G2	4'-2 5/8"
	G3	5'-4 13/16"
	G4	5'-10 5/8"
	G5	4'-11 1/4"
	G6	3'-11 5/8"
	G7	2'-11 5/8"
"Y" Truss Span	S1	1'-0 1/4"
	S2	1'-10 3/8"
	S3	2'-8 5/8"
	S4	3'-7 1/2"
	S5	3'-10 1/8"
	S6	3'-1 3/8"
	S7	2'-4 5/8"
	S8	1'-7 3/8"
	S9	11 9/16"



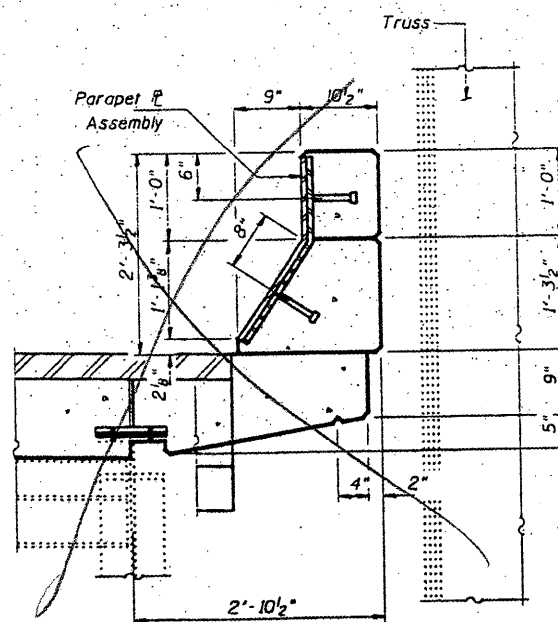
SECTION THRU CURB - SPANS 9A & 15



PARAPET PLATE ASSEMBLY DETAIL



TYPICAL END OF TROUGH PLATE DETAIL



SECTION THRU CURB - SPANS 12 & 14

DESIGNED	P.S.J.	FEBRUARY 4, 2002
CHECKED	A.T.H.	EXAMINED <i>John A. Morris</i>
DRAWN	John P. Schaeffer, Jr.	PASSED
CHECKED	A.T.H. P.S.J.	ENGINEER OF BRIDGES AND STRUCTURES

BRIDGE NO. 1  
STRUCTURE NO. 002-0022  
FOR INFORMATION ONLY

**EXPANSION JOINT DETAILS - PIER 11 & 14**  
**F.A.I. 57 OVER MISSISSIPPI RIVER**  
**ALEXANDER COUNTY**  
**S.N. 002-0022**