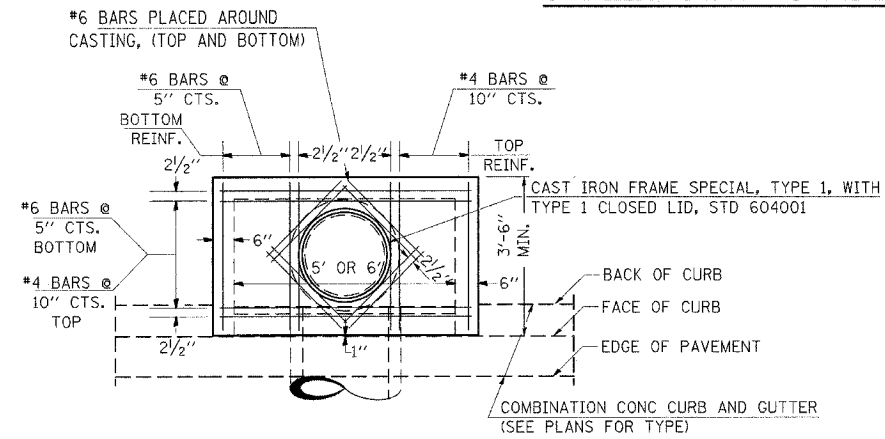
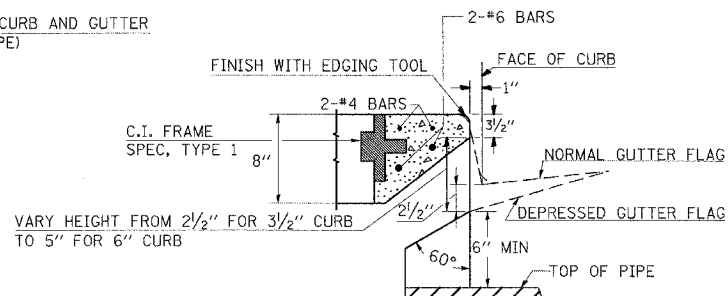


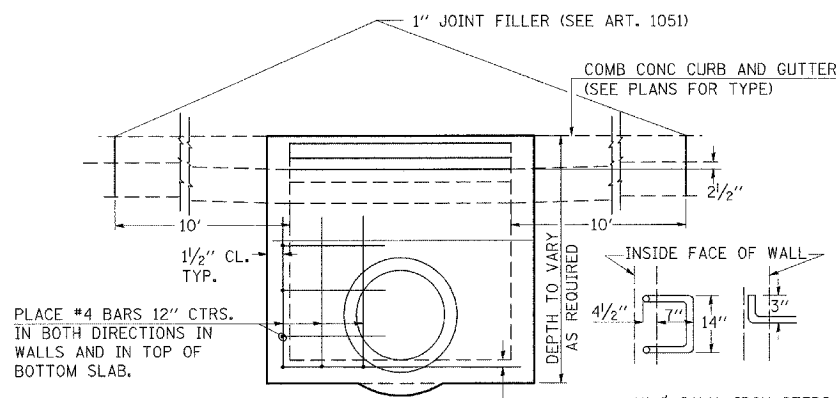
DETAILS OF INLET SPECIAL, TYPE 3, 5 FEET AND 6 FEET



PLAN



SECTION AT WEIR



ELEVATION

DESIGN	PIPE DIA	"D"
A	18" & LESS	2'-6"
B	21" & 24"	3'-0"
C	27" & 30"	3'-7"
D	33" & 36"	4'-2"
E	42"	4'-9"
F	48"	5'-0"
G	54"	6'-1"

NOTES:

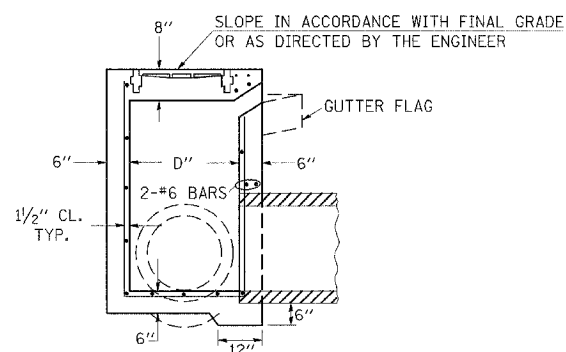
PROVIDE 1/2" CLEARANCE TYP. ALL REINFORCEMENT UNLESS OTHERWISE SPECIFIED.

CLASS SI CONCRETE SHALL BE USED THROUGHOUT. SET FACE OF INLET 1" BEHIND FACE OF CURB. DEPRESS GUTTER FLOWLINE AT INLET 2 1/2" BELOW NORMAL GUTTER FLOWLINE. CONSTRUCT TRANSITION IN FLOWLINE IN 10 FEET EACH SIDE OF INLET. PIPES TO BE CONNECTED TO INLET AS SHOWN ON STORM SEWER LAYOUT.

INLETS WILL BE PAID FOR AT THE CONTRACT UNIT PRICE EACH FOR INLET, SPECIAL, TYPE 3, 5 FEET OR INLET, SPECIAL, TYPE 3, 6 FEET WHICH PRICE SHALL INCLUDE THE CAST IRON FRAME, SPECIAL, TYPE 1 WITH TYPE 1 CLOSED LID, THE REINFORCEMENT BARS, METAL STEPS AND JOINT FILLER.

**THE GALVONIZED IRON STEPS AS DETAILED HEREON ARE TYPICAL. STEPS OF OTHER DESIGN AND MATERIAL THAT WILL CONFORM TO THE MINIMUM REQUIREMENTS OF THE STEPS SHOWN. MAY BE USED WHEN APPROVED BY THE ENGINEER.

IF THE INLET IS NOT CAST IN PLACE THEN THE INLET SHALL BE PRODUCED ACCORDING TO THE DEPARTMENT'S CURRENT POLICY MEMORANDUM, "QUALITY CONTROL/QUALITY ASSURANCE PROGRAM FOR PRECAST CONCRETE PRODUCTS".



SECTION

NOTE TO DESIGNER:

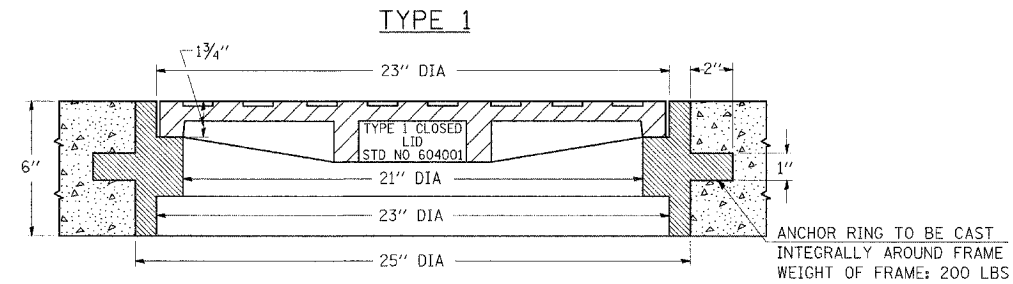
WHEN USING THIS STANDARD THE DESIGNER SHOULD ALSO CHECK BDE SPECIAL PROVISION 419 "PRECAST CONCRETE PRODUCTS".

STD. 9-1

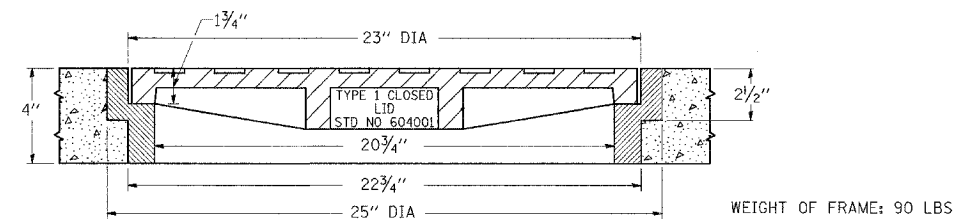
REVISIONS	
REDRAWN	2-15-89
REVISED	8-15-94
REVISED	1-19-99
REVISED	5-6-04

**STATE OF ILLINOIS
DEPARTMENT OF TRANSPORTATION**

DETAILS OF CAST IRON FRAMES SPECIAL TYPE 1 & TYPE 2 WITH TYPE 1 CLOSED LID

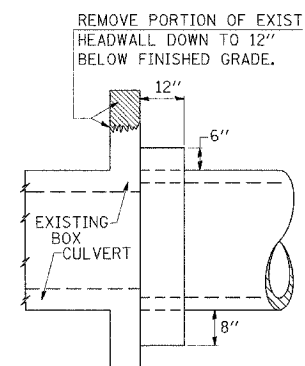


TYPE 2

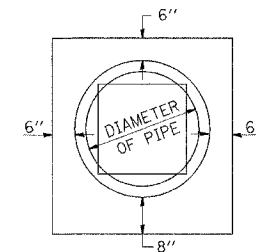


THE FRAMES MAY BE MADE OF EITHER GRAY IRON CONFORMING TO THE STANDARD SPECIFICATIONS OR DUCTILE IRON CONFORMING TO THE SPECIFICATIONS FOR DUCTILE IRON CASTING, A.S.T.M. DESIGNATION: A536, GRADE 60-45-10.

DETAILS OF CONCRETE COLLAR



SIDE VIEW



END VIEW

TABULATION

DIAMETER OF PIPE	CL SI CONC CU YDS EST
12"	0.16
15"	0.19
18"	0.21
24"	0.29
30"	0.37
36"	0.44
42"	0.53
48"	0.62
54"	0.71
60"	0.81
72"	1.03

THE CONCRETE COLLAR SHALL BE PAID FOR AT THE CONTRACT UNIT PRICE PER CUBIC YARD FOR CONCRETE COLLAR, AS SHOWN ON THE PLANS, WHICH PRICE SHALL INCLUDE THE REMOVAL OF SUCH PORTIONS OF THE EXISTING HEADWALLS AS MAY BE REQUIRED.

CLASS SI CONCRETE SHALL BE USED THROUGHOUT.

STD. 9-19

REVISIONS	
REDRAWN	2-15-89
REVISED	8-19-94
REVISED	

FILE NAME = cr\proj\jeots\78855\4978\55_sht.miso.dgn

USER NAME = naesdp

DESIGNED -
DRAWN -

REVISED -
REVISED -

PLOT SCALE = 50.0000' / IN.
PLOT DATE = 3/18/2005

CHECKED -
DATE -

REVISED -
REVISED -

**STATE OF ILLINOIS
DEPARTMENT OF TRANSPORTATION**

DETAILS

SCALE: SHEET NO. OF SHEETS STA. TO STA.

F.A. RTE.	SECTION	COUNTY	TOTAL SHEETS	SHEET NO.
873	(28-5) TS-3,N-1	FRANKLIN	38	21
CONTRACT NO. 78055				
ILLINOIS FED. AID PROJECT				