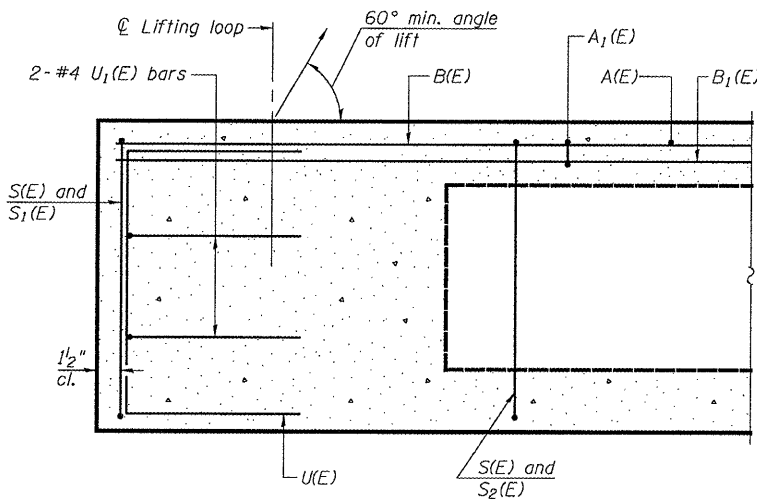


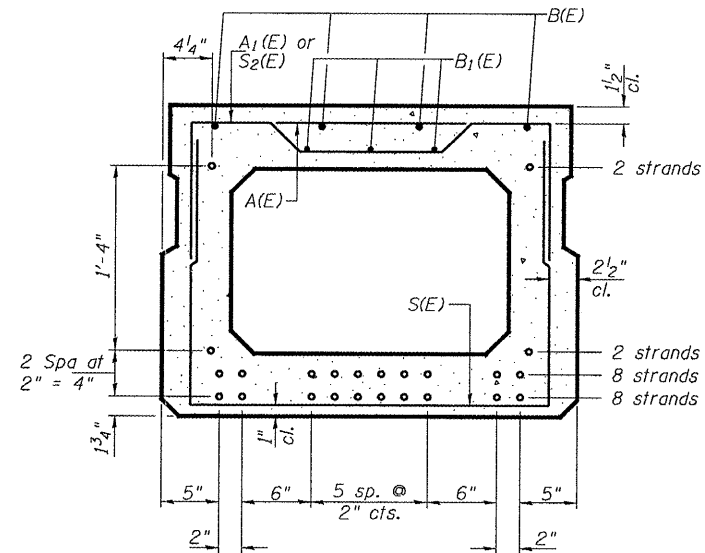
STATE OF ILLINOIS
DEPARTMENT OF TRANSPORTATION

ROUTE NO.	SECTION	COUNTY	SHEETS	SHEET NO.
FAP 885		Johnson	11	5
FED. ROAD DIST. NO. 7	ILLINOIS	FED. AID PROJECT		

Contract Number: 78063

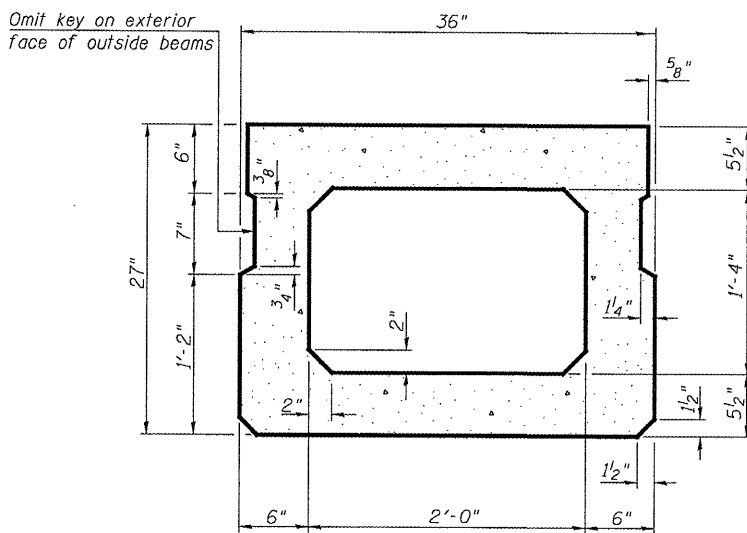


SECTION C-C



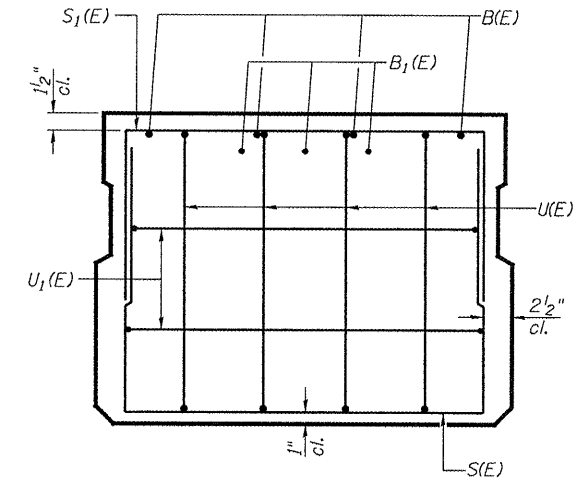
SECTION A-A

(Showing reinforcement and permissible strand locations)
Note: Place the number of strands specified in each row symmetrically about the centerline of beam in the permissible strand locations shown.



SECTION A-A

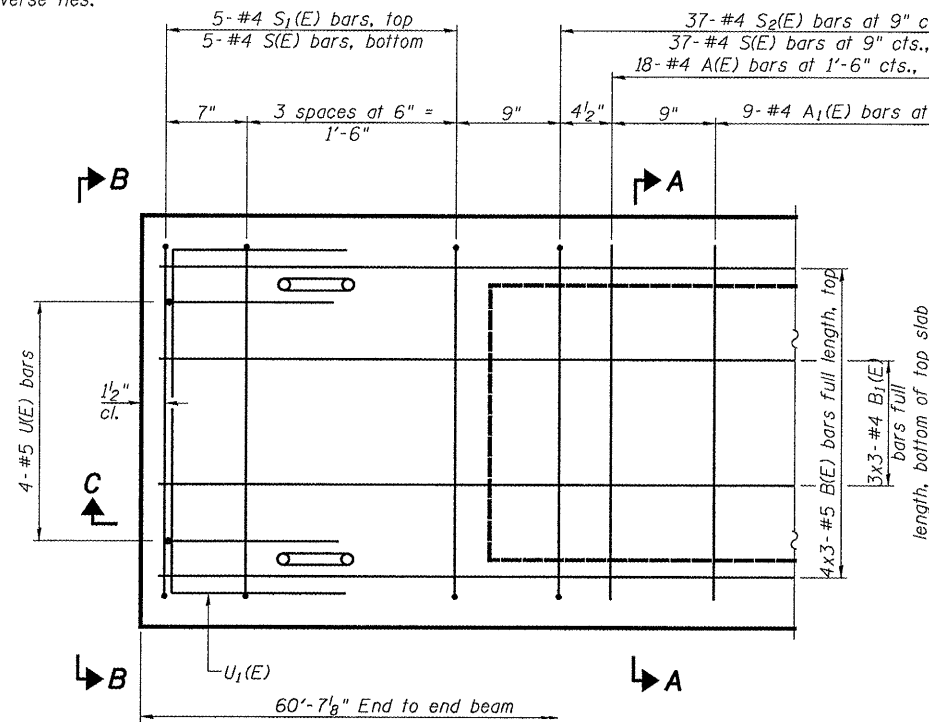
(Showing dimensions)



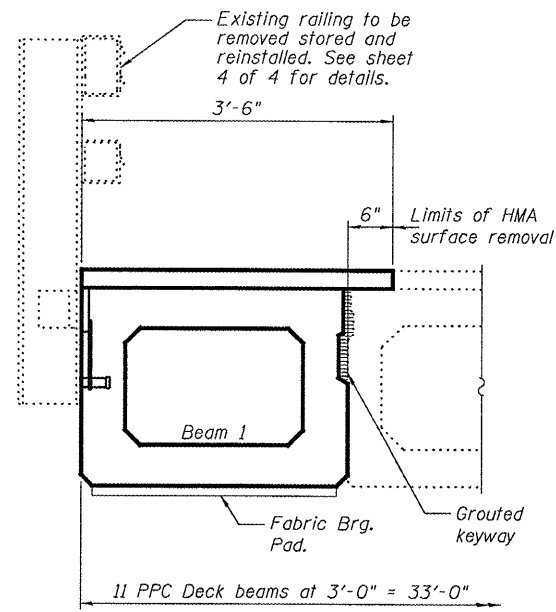
VIEW B-B

*1" joint shall be filled with non-shrink grout. Dimension may vary to accommodate tolerance in beam length.

Note: Spacing of S(E) and S2(E) bars may be adjusted up to 4" in the immediate area of the transverse tie diaphragms to miss the block outs for the transverse ties.



PLAN VIEW

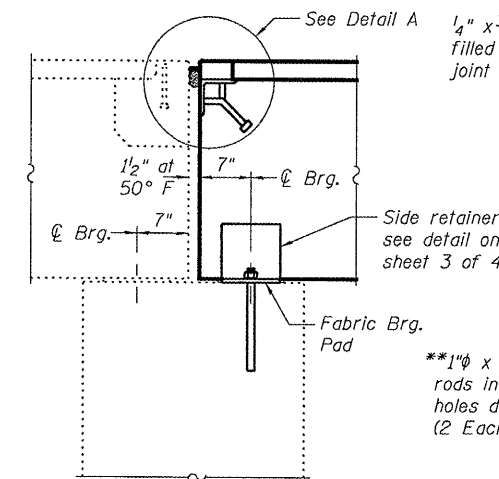


PARTIAL DECK CROSS SECTION

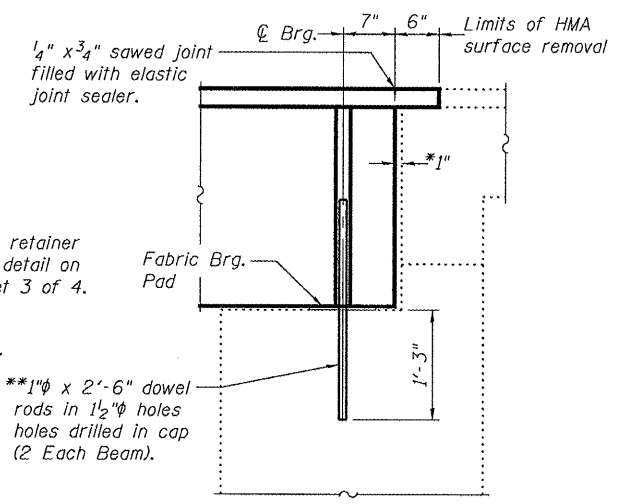
BAR LIST
ONE BEAM ONLY
(For information only)

Bar	No.	Size	Length	Shape
A(E)	18	#4	2'-7"	—
A1(E)	36	#4	2'-10"	—
B(E)	12	#5	21'-7"	—
B1(E)	9	#4	21'-3"	—
S(E)	84	#4	6'-5"	—
S1(E)	10	#4	6'-3"	—
S2(E)	74	#4	6'-6"	—
U(E)	8	#5	4'-6"	—
U1(E)	4	#4	5'-0"	—

Notes:
See sheet 3 of 4 for additional details and Bill of Material.
Bars indicated thus 4 x 3-#5 etc. indicates 4 lines of bars with 3 lengths per line.

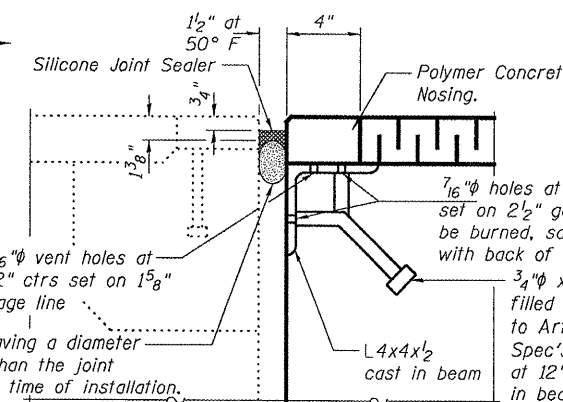


TYPICAL PIER SECTION



TYPICAL ABUTMENT SECTION

**Existing dowel rods are to be burned off, ground flush, and sealed with epoxy prior to placement of new beams. Cost included in Removal of Existing PPC Deck Beams. After beams have been erected holes shall be drilled into cap and dowel rods placed. Dowel holes shall be filled with non-shrink grout to top of beam and allowed to cure a minimum of 24 hours prior to grouting the shear keys.



DETAIL A

(Cost included with PPC Deck Beams, except as noted)

DESIGNED	A.J.B.
CHECKED	V.H.V.
DRAWN	Drew Christopher
CHECKED	A.J.B. V.H.V.

EXAMINED	MAY 8, 2008
PASSED	ENGINEER OF STRUCTURAL SERVICES

BEAM DETAILS
FAP 885
JOHNSON COUNTY
SN 044-0020