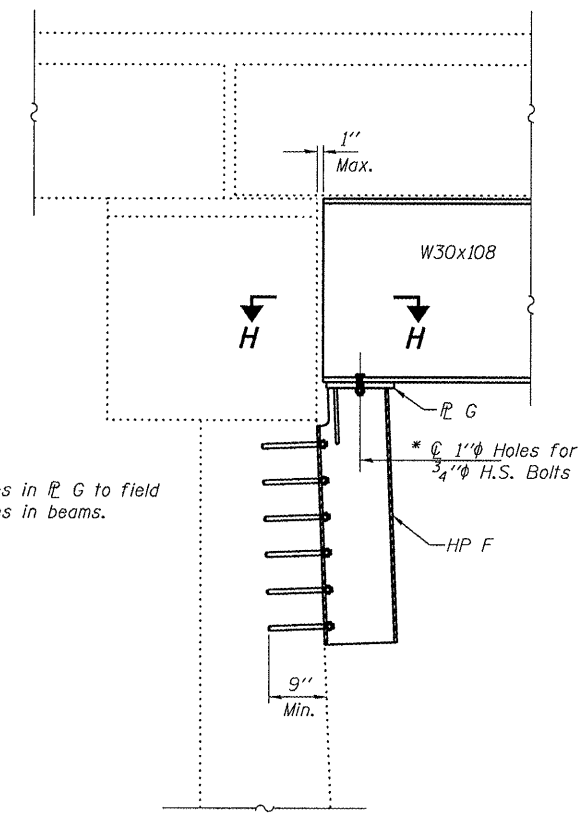
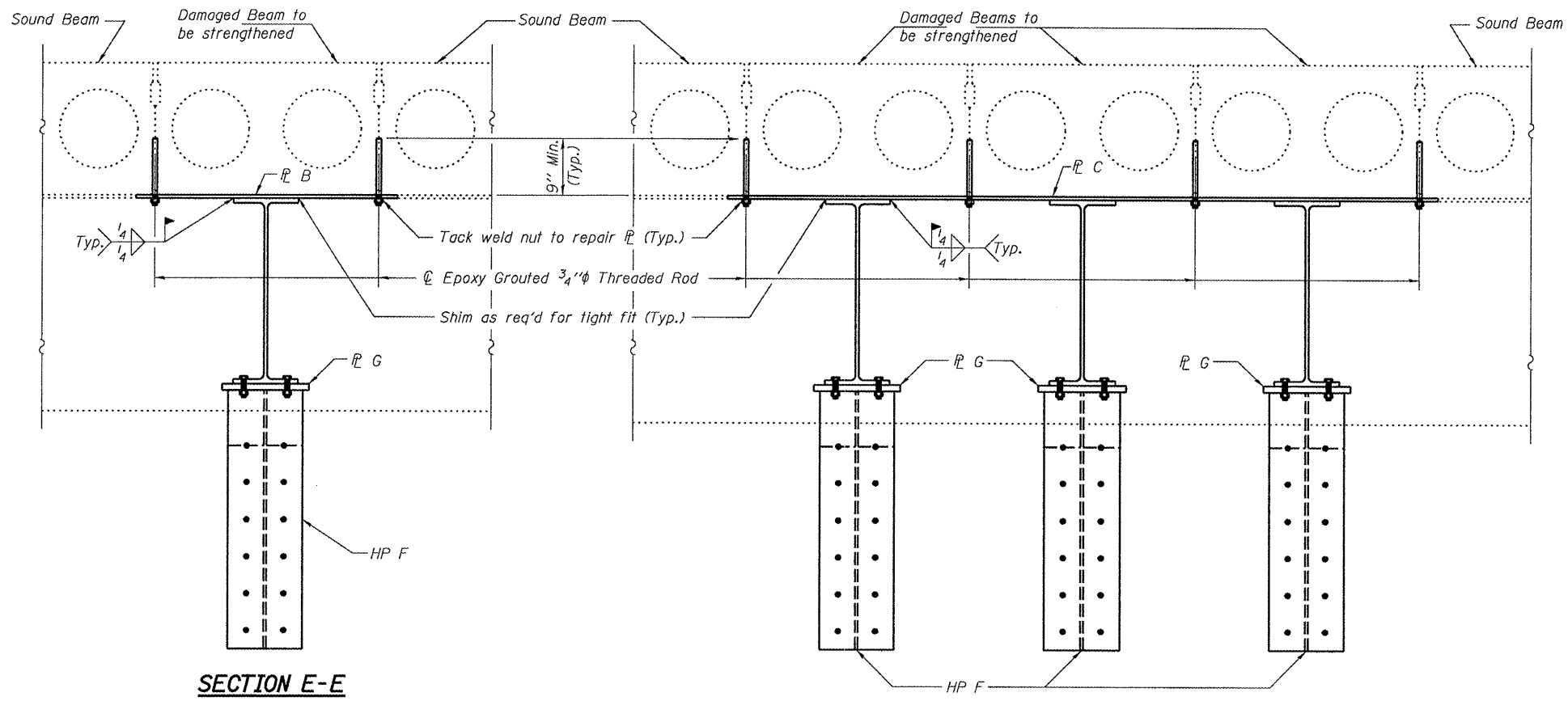


STATE OF ILLINOIS
DEPARTMENT OF TRANSPORTATION

ROUTE NO.	SECTION	COUNTY	TOTAL SHEETS	SHEET NO.
FAP 328		WHITE	11	11
FED. ROAD DIST. NO. 7	ILLINOIS	FED. AID PROJECT-		

SHEET NO. 3
3 SHEETS

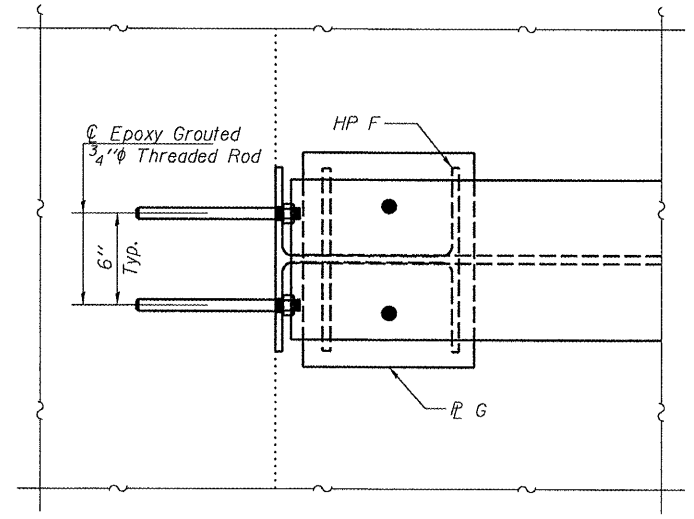
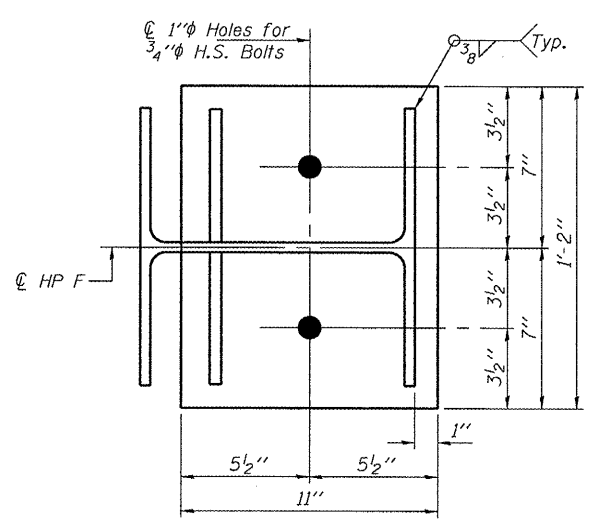
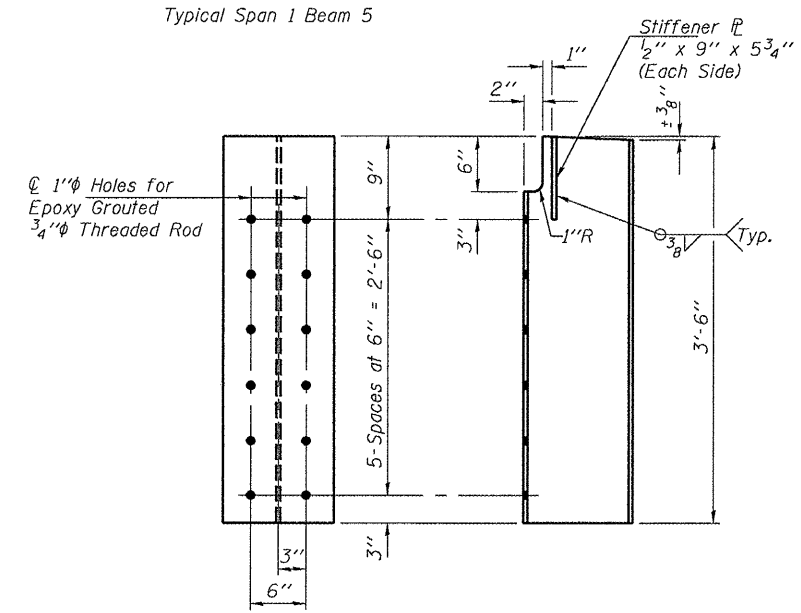
Contract Number: 78063



SECTION E-E
Typical Span 1 Beam 5

SECTION F-F
Typical Span 2 Beams 5, 6, & 7

SECTION G-G
(Abutment connection shown, Pier connection similar)
Typical Span 1 Beam 5, Span 2 Beams 5, 6, & 7



HP F
HP12x53 x 3'-6"
(8 Required)

R G
R 1" x 11" x 1'-2"
(8 Required)

SECTION H-H

DESIGNED	VHV
CHECKED	DAB
DRAWN	Steffen
CHECKED	VHV DAB

APRIL 24, 2008
EXAMINED *Carl Perry*
ENGINEER OF STRUCTURAL SERVICES
PASSED *Ralph E. Anderson*
ENGINEER OF BRIDGES AND STRUCTURES

REPAIR DETAILS
FAP RT. 328
WHITE COUNTY
SN 097-0022