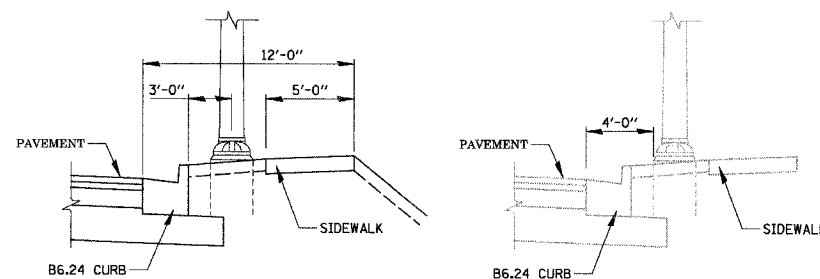


F.A.U. RTE.	SECTION	COUNTY	TOTAL SHEETS	SHEET NO.
369	00-00018-00-PV	COOK	20	13
STA.		TO STA.		
FED. ROAD DIST. NO. 1 ILLINOIS FED. AID PROJECT				

CONTRACT NO. 83897

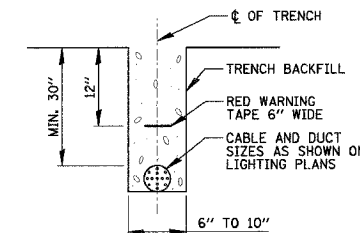
MATERIAL SPECIFICATIONS	
POLE & ARM TUBES	6063-T6
ANCHOR BASE & ALUM. COVER SKIRT	AA356-T6
SMALL HARDWARE	AISI 300 SERIES STN. STL.
EXTRUSIONS	6063-T6
H.H. FRAME	AA356-T6
BOLT COVERS	ASTM-B25(AA356)



PROPOSED POLES BETWEEN STA. 20+49.21 TO STA. 32+50

EXISTING POLES BETWEEN STA. 32+50 TO STA. 49+50

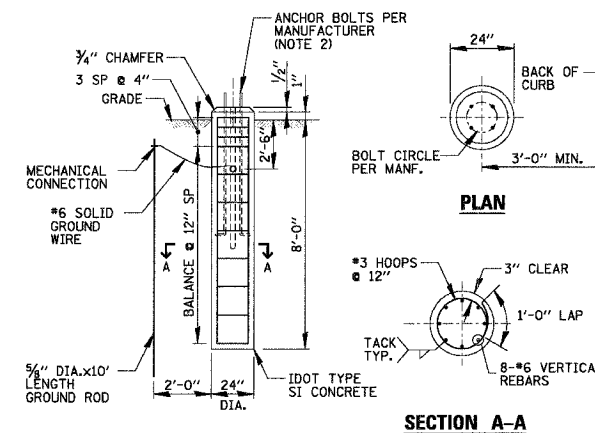
ROADWAY LIGHTING CROSS SECTION LAYOUT
N.T.S.



ELECTRIC CONDUIT UNDER PAVEMENT
N.T.S.

24 IN. DIA. FOUNDATION DEPTH TABLE
DESIGN BASE ON 80 M.P.H. AASHTO WIND LOADING

TYPE OF SOIL	FOUNDATION DEPTH D	REINFORCEMENT IN FOUNDATION	
		VERTICAL BARS	HORIZONTAL BARS
ROCK OR SOLIDIFIED SLAG	5'-0"	NONE	NONE
DENSE SAND	7'-9"	8-#6 x 7'-4"	#3 x 73'
MEDIUM SAND	8'-3"	8-#6 x 7'-10"	#3 x 78'
LOOSE SAND	9'-0"	8-#6 x 8'-7"	#3 x 85'
STIFF CLAY	7'-0"	8-#6 x 6'-7"	#3 x 66'
MEDIUM CLAY	9'-6"	8-#6 x 9'-1"	#3 x 90'
SOFT CLAY	13'-0"	8-#6 x 12'-7"	#3 x 122'



NOTES:

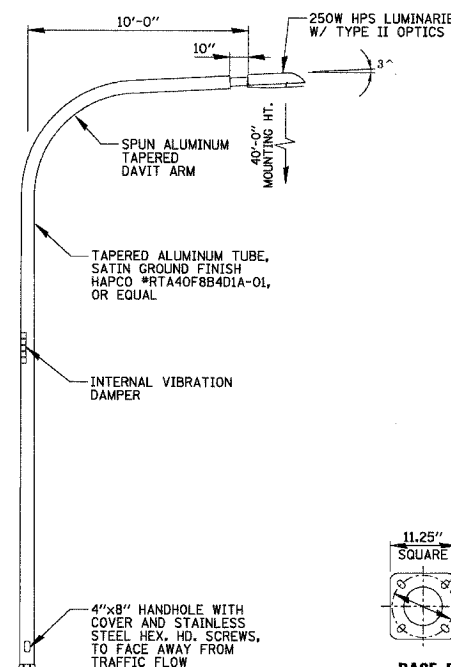
1. LIGHT POLE P6 SHALL HAVE A 20'-0" CONCRETE FOUNDATION DEPTH.
2. REFER TO "GENERAL NOTES" ON SHEET 10 FOR FOUNDATION NOTES.
3. FOUNDATIONS SHALL NOT PROTRUDE MORE THAN 4" ABOVE FINISHED GRADE INCLUDING ANCHOR RODS.

CONCRETE FOUNDATION DETAIL
N.T.S.

REVISIONS	
NAME	DATE

ILLINOIS DEPARTMENT OF TRANSPORTATION
75th STREET
ROADWAY LIGHTING DETAILS (2 OF 2)

SCALE: VERT. HORIZ.
DATE 2/19/2008
DRAWN BY KB
CHECKED BY JPC



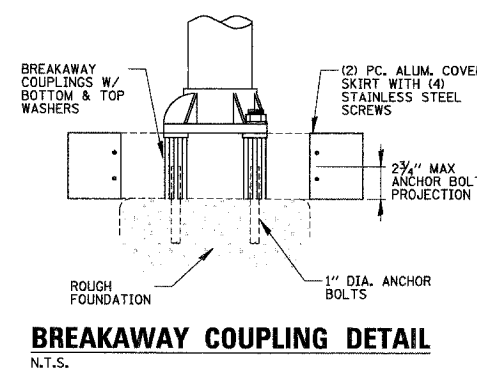
BASE DATA

MFG.	MTG. HT.	LUMINAIRE MODEL NO.	ARM LENGTH
A	40'-0"	GE #MDCL25SOA12FNC22	10'-0"
B	40'-0"	HUBBELL LIGHTING #RMC-3-3-RMD-25S38-3	10'-0"

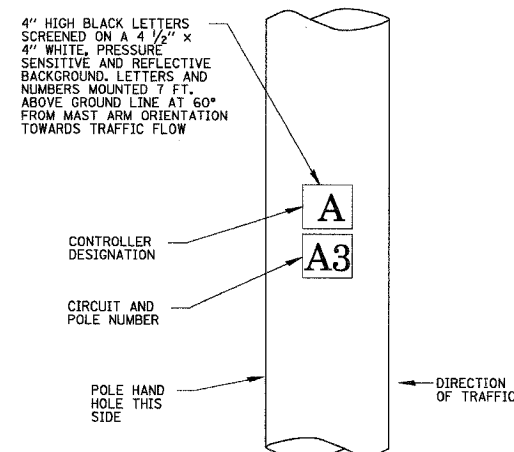
NOTES:

1. HUBBELL LIGHTING LUMINAIRE SHALL BE FIELD ADJUSTED TO A TYPE II DISTRIBUTION.

LIGHT STANDARD DETAIL
N.T.S.



BREAKAWAY COUPLING DETAIL
N.T.S.



POLE IDENTIFICATION
N.T.S.