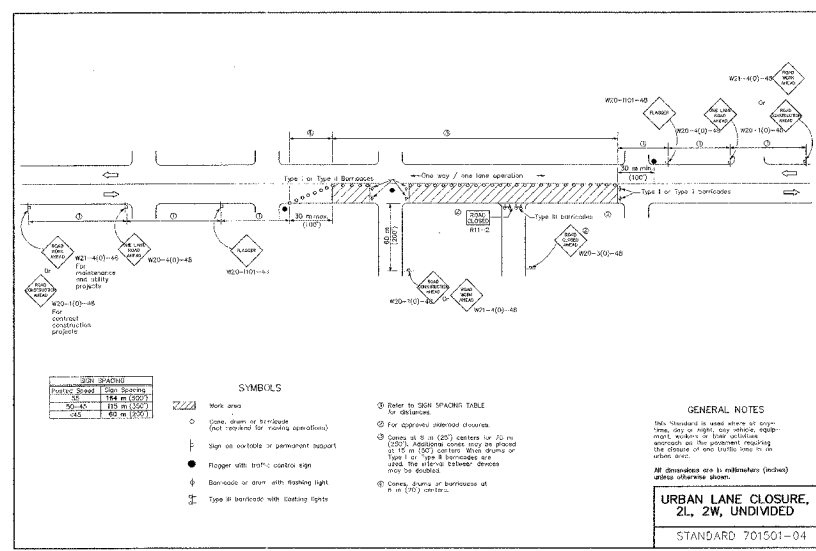
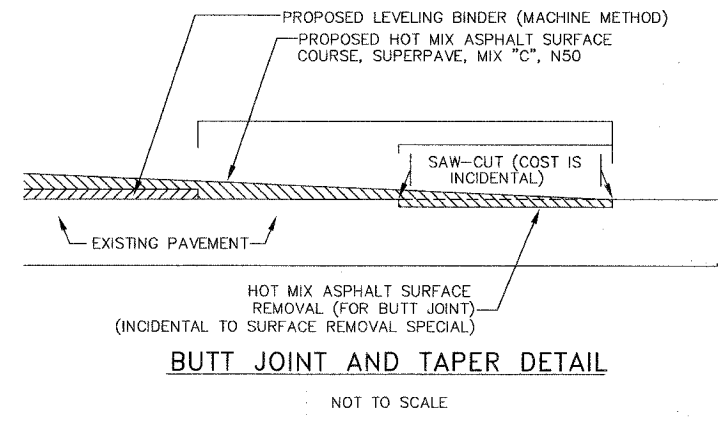
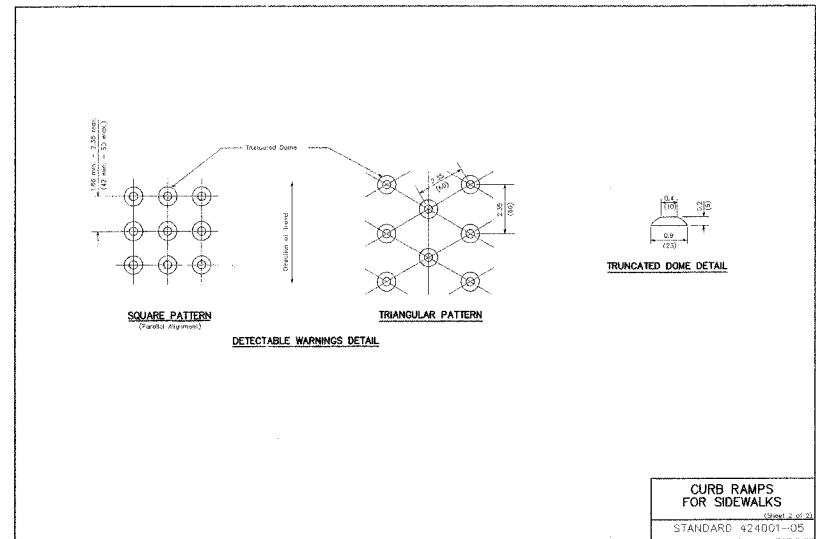
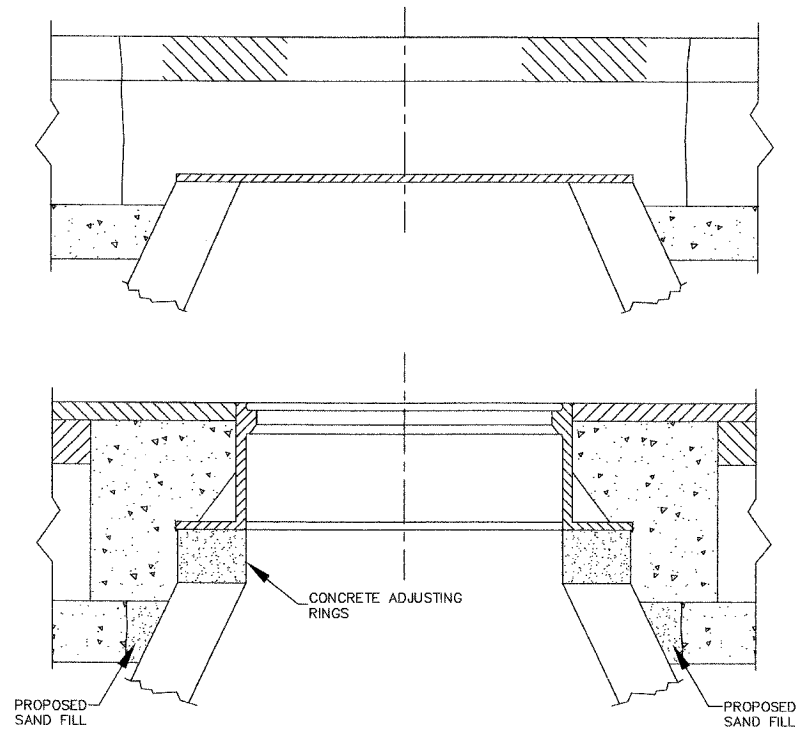
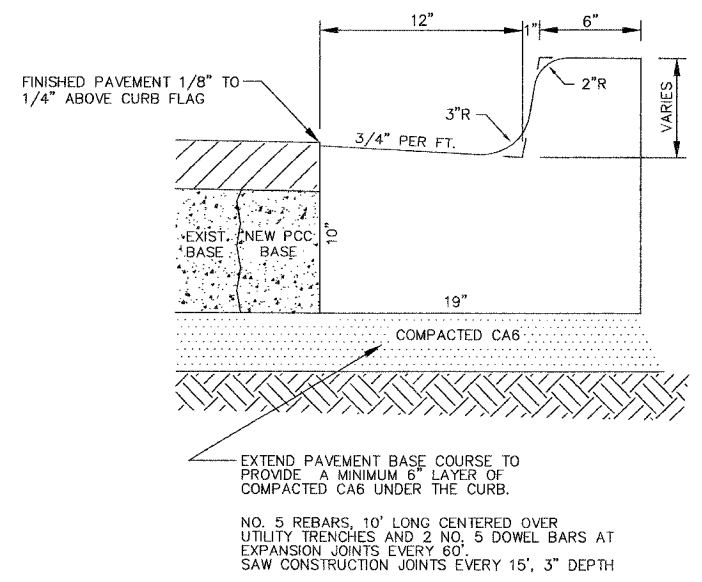
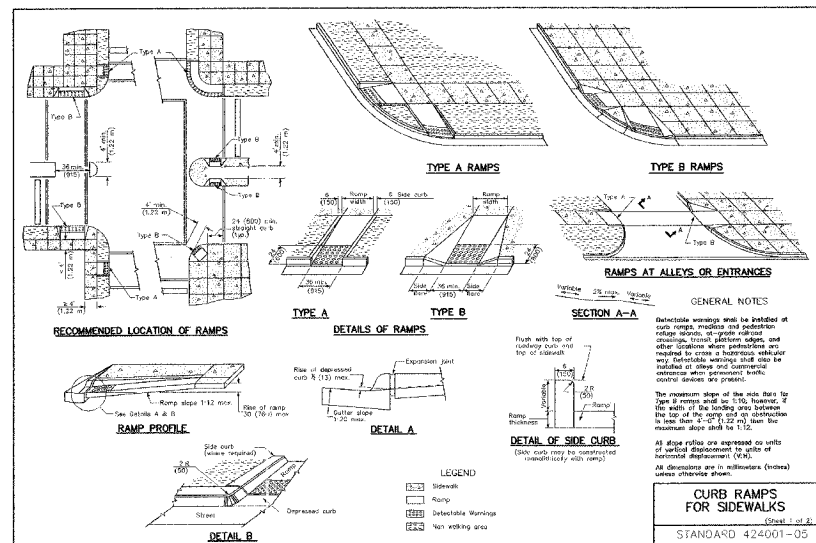


F.A.P. RITE.	SECTION	COUNTY	TOTAL SHEETS	SHEET NO.
	07-00087-00-RS	COOK	10	9
FED. ROAD DIST. NO. 1		ILLINOIS	HIGH PRIORITY PROJECT	
CONTRACT NO. 83915				



CONSTRUCTION PROCEDURES

- STAGE I (BEFORE PAVEMENT MILLING)**
- REMOVE A MINIMUM OF 12" OF THE PAVEMENT FROM AROUND THE STRUCTURE.
 - REMOVE THE EXISTING FRAME AND LID FROM THE STRUCTURE.
 - COVER THE STRUCTURE OPENING WITH A 36" DIAMETER METAL PLATE.
 - BACKFILL WITH CRUSHED STONE AND A MINIMUM 1 1/2" THICK BITUMINOUS MATERIAL APPROVED BY THE ENGINEER.
- STAGE II (AFTER PAVEMENT MILLING)**
- REMOVE THE BITUMINOUS MATERIAL AND CRUSHED STONE.
 - INSTALL THE FRAME AND LIDS ADJUST THE FRAME TO ITS FINAL SURFACE ELEVATION.
 - THE SURROUNDING SPACE SHALL BE FILLED WITH CLASS SI CONCRETE TO THE ELEVATION OF THE SURFACE OF THE EXISTING BASE COURSE.

THE PROCEDURE EXPLAINED ABOVE SHALL CONFORM TO THE APPLICABLE PORTIONS OF SECTION 353, 406, 602, AND 603 OF THE STANDARD SPECIFICATIONS.

LOCATION OF STRUCTURES

THE CONTRACTOR WILL BE REQUIRED TO KEEP A RECORD OF THE LOCATIONS OF THE BURIED STRUCTURES ACCORDING TO THE STATION AND DISTANCE LEFT OR RIGHT OF THE CENTERLINE OF PAVEMENT. UPON COMPLETION OF THE WORK THE CONTRACTOR WILL DELIVER THE RECORD TO THE ENGINEER.

BASIS OF PAYMENT

FRAMES AND LIDS TO BE ADJUSTED (SPECIAL)

- NOTES**
- EXISTING BROKEN FRAMES AND LIDS SHALL BE REMOVED AND DISPOSED OF BY THE CONTRACTOR AND SHALL BE REPLACED AS DIRECTED BY THE ENGINEER. REPLACEMENT FRAMES AND LIDS WILL BE PAID FOR IN ACCORDANCE WITH ARTICLE 109.04 OF THE STANDARD SPECIFICATIONS UNLESS A SEPARATE PAY ITEM HAS BEEN PROVIDED.
 - IF THE EXISTING LIDS ARE OPEN, THE FRAME WILL BE ADJUSTED TO THE ELEVATION OF THE MILLED PAVEMENT SURFACE PRIOR TO THE MILLING OPERATION. THE FRAME WILL NOT BE REMOVED AND COVERED BY THE METAL PLATE.
 - THE METAL PLATE USED TO COVER THE STRUCTURE SHALL REMAIN THE PROPERTY OF THE CONTRACTOR.

FRAMES AND LIDS TO BE ADJUSTED (SPECIAL)

NOT TO SCALE

REVISIONS	DATE	BY	DESCRIPTION	DATE	BY	DESCRIPTION	DATE	BY	DESCRIPTION

DESIGNED: TJT
DRAFTED: TJT
CHECKED: GWK
APPROVED: GWK DATE: 12/28/08

VILLAGE OF RIVER FOREST
ENGINEERING DEPARTMENT
400 PARK AVE.
RIVER FOREST, IL 60305
(708) 366-8500

TITLE:
 KEYSTONE AVENUE AND AUGUSTA STREET
 RESURFACING IMPROVEMENTS
 STANDARDS AND DETAILS
 SECTION NO: 07-00087-00-RS

Illinois Department of Transportation

SCALE: NONE
DATE: 3/12/2008
PROJ. NO: 4065
SHEET: 9 of 10