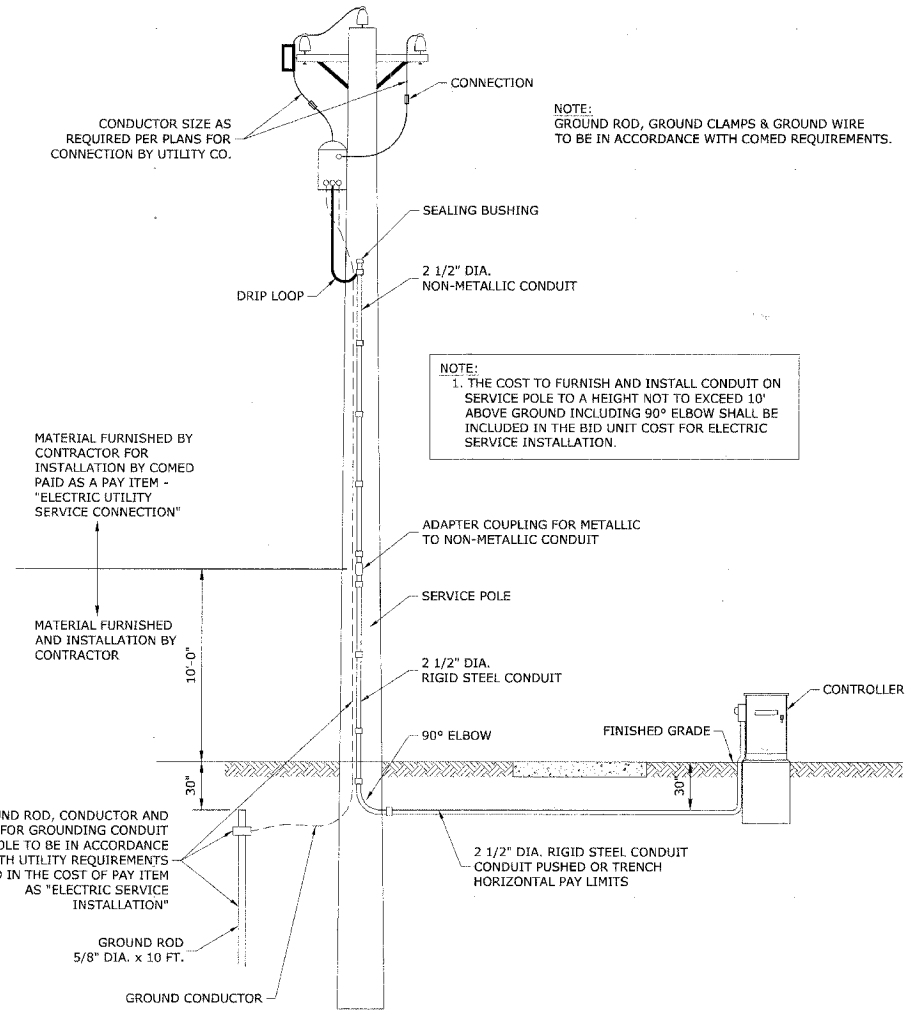


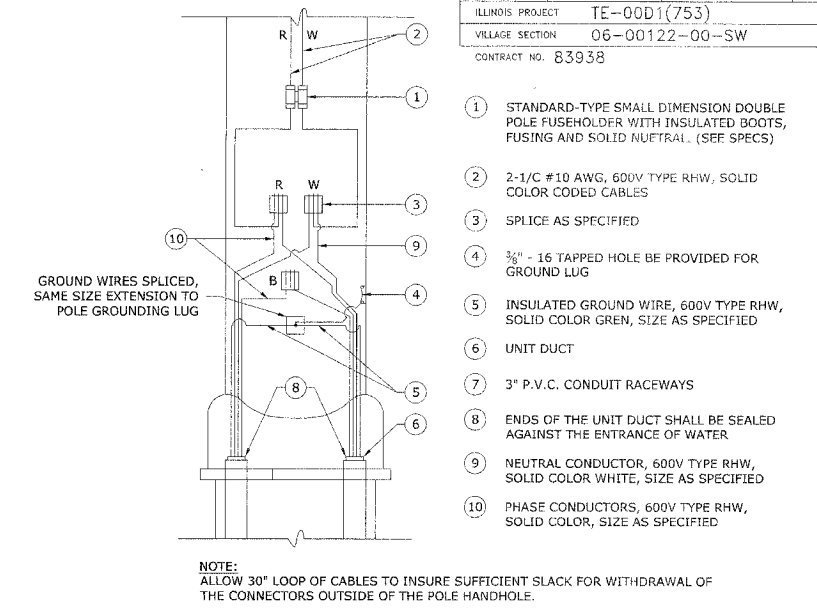
DEVICE SCHEDULE	
QUANTITY	DESCRIPTION
(A) 1	150 AMP CIRCUIT BREAKER, MOLDED CASE, THERMAL MAGNETIC, 2-POLE, SINGLE THROW, 600V FRAME, NON-INTERCHANGABLE TRIP, BOLT ON TYPE.
(B) 1	150 AMP, ELECTRICALLY OPERATED AND MECHANICALLY HELD LIGHTING CONTRACTOR, 2-POLE, 600 VOLT WITH 240 VOLT COIL.
(C) 8	120/240 VOLT 1 PHASE PANEL BOARD WITH 150 AMP COPPER MAINS SINGLE POLE, 40 AMP, 277 VOLT BOLT ON BRANCH CIRCUIT BREAKERS
(D) 1	PHOTO-ELECTRIC CELL, 240 VOLT, MOUNT ON UNDERSIDE OF CABINET VENT
(E) 2	THERMAL MAGNETIC, MOLDED CASE CIRCUIT BREAKER, 1 POLE, 15 AMP, 277 VOLT BOLT ON TYPE
(F) 1	CONTROL SWITCH, MOMENTARY CONTACT, SPDT, 15 AMP, 240 VOLT
(G) 1	CONTROL SWITCH, TOGGLE TYPE, SPDT, 20 AMP, 240 VOLT SPECIAL GRADE
(H) 1	240/120 VOLT STEP DOWN CONTROL TRANSFORMER 750 VA RATED
(I) 1	MICRO SWITCH (MOUNTED WITH ACTUATOR TO SWITCH WHEN DOOR IS OPEN) 240 VOLT, 20 AMP
(J) 1	60 WATT LIGHT FIXTURE VAPOR TIGHT WITH GLOBE, GUARD, AND MOUNTING BOX
(K) 1	240 VOLT, 15 AMP RECEPTACLE, SPECIFICATION GRADE IN NEMA 5-15R WEATHER PROOF BOX WITH FLAP-TYPE COVER. OUTLET TO BE GFI-TYPE.
(L) 1	POWER RELAY WITH 25 AMP CONTACTS RATED FOR CONTRACTOR INRUSH CURRENT - 240 VOLT COIL
(M) 1	SURGE ARRESTOR, 5 WIRE EDCC "4803" OR EQUAL
(N) 2	TERMINAL BLOCK, 240 VOLT, 50 AMP MAXIMUM WITH NUMBER OF TERMINALS AS INDICATED

**240/480 VOLT CONTROLLER PANEL WIRING DIAGRAM**

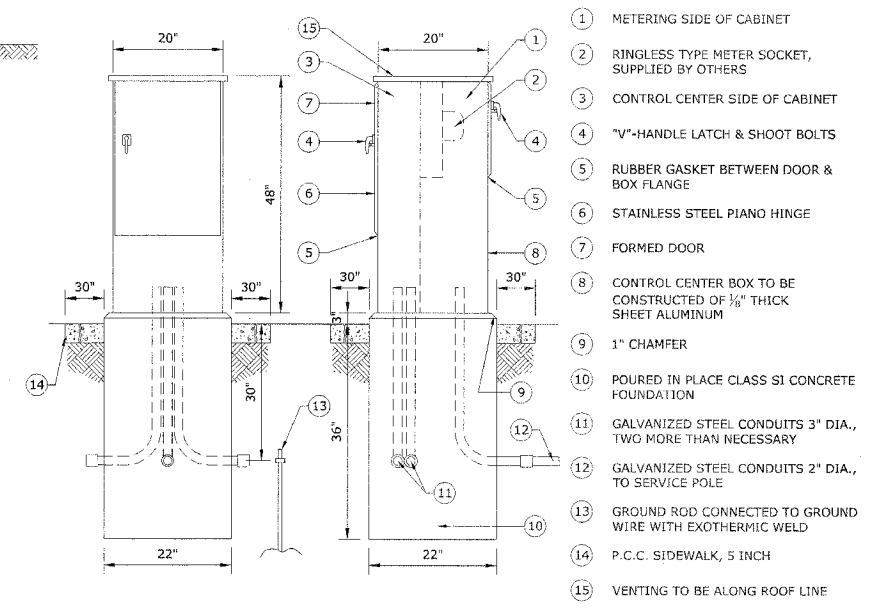


**PROPOSED SERVICE INSTALLATION POLE TOP MOUNTED TRANSFORMER**

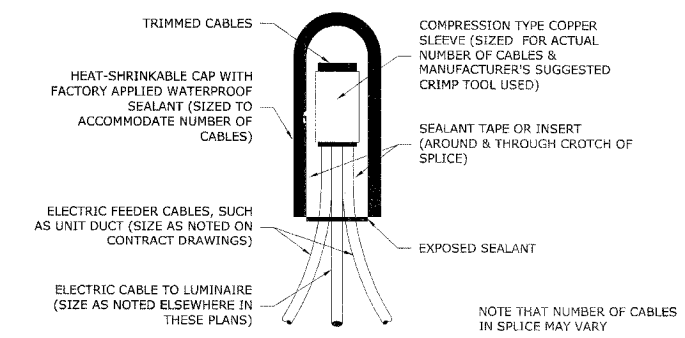
- NOTES:**
- ALL CIRCUIT BREAKERS SHALL HAVE AN INTERRUPT RATING OF 18,000 AMPS
  - UL LISTED DEVICES/COMPONENTS SHALL BE USED
  - NO SPLICES OF WIRES IN CABINET
  - CONTROL WIRE TO BE #12 MTW
  - POWER WIRE SHALL BE RATED RHH/RHW 600 VOLTS OF SIZE INDICATED
  - LIGHTING CONTROLLER SHALL BE SERVICE ENTRANCE RATED



**POLE HANDHOLE WIRING DIAGRAM**



**CONTROL CENTER CABINET & FOUNDATION**



**SPLICING ELECTRIC CABLES BASIC MATERIALS AND METHODS**

Drawing file: w:\Projects\25506153 - Lake St. Streetscape\Lighting Details.dwg Feb 21, 2008 - 10:10am