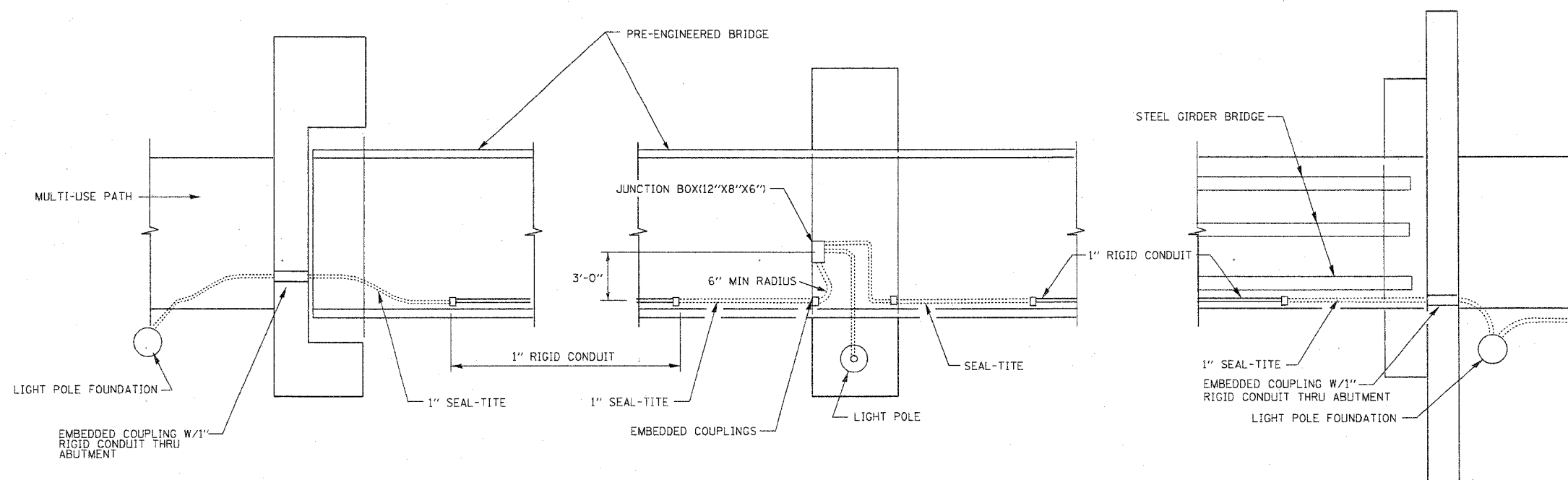


F.A. RTE.	SECT-ION	COUNTY	TOTAL SHEETS	SHEET NO.
05-00174-00-BY	ROCK ISLAND	IL2	51	51
STA.		TO STA.		
FED. ROAD DIST. NO.		ILLINOIS FED. AID PROJECT		

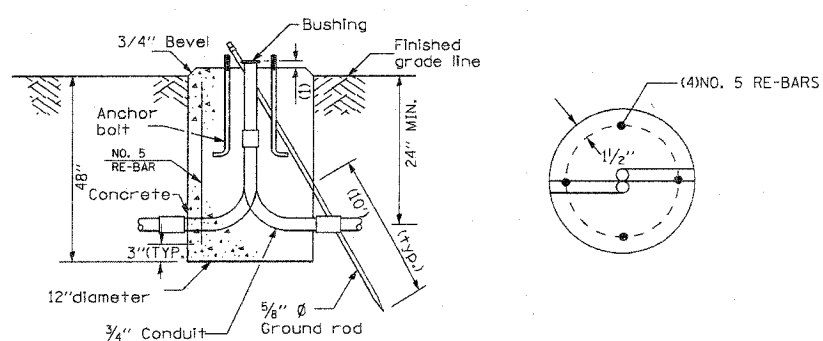
LIGHTING PLANS



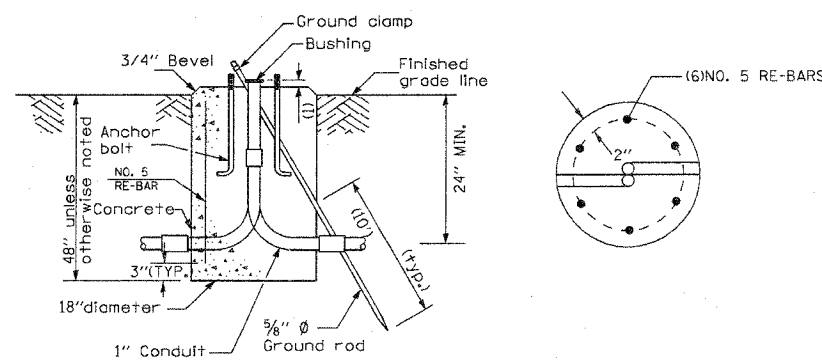
SOUTH ABUTMENT SCHEMATIC PLAN
 PAY ITEM ("BRIDGE ABUTMENT LIGHTING CONDUIT")

TYPICAL PIER SCHEMATIC PLAN
 (PAY ITEM "BRIDGE PIER LIGHTING CONDUIT")

NORTH ABUTMENT SCHEMATIC PLAN
 PAY ITEM ("BRIDGE ABUTMENT LIGHTING CONDUIT")



LIGHT POLE FOUNDATION



LIGHT POLE FOUNDATION (SPECIAL)

REVISIONS	
NAME	DATE

ILLINOIS DEPARTMENT OF TRANSPORTATION

DETAILS

SCALE: VERT. HORIZ.
 DATE

DRAWN BY
 CHECKED BY

PLS USE: DATE, QUOTE, FILE NAME, PLOT SCALE, USER NAME