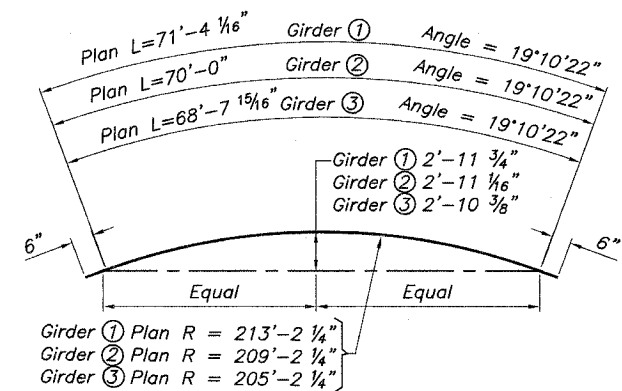
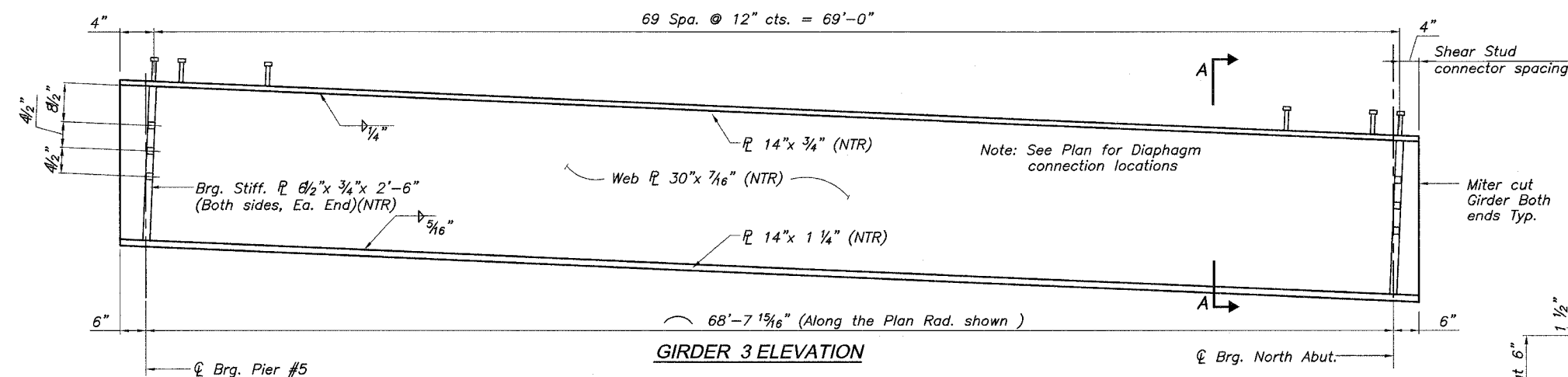
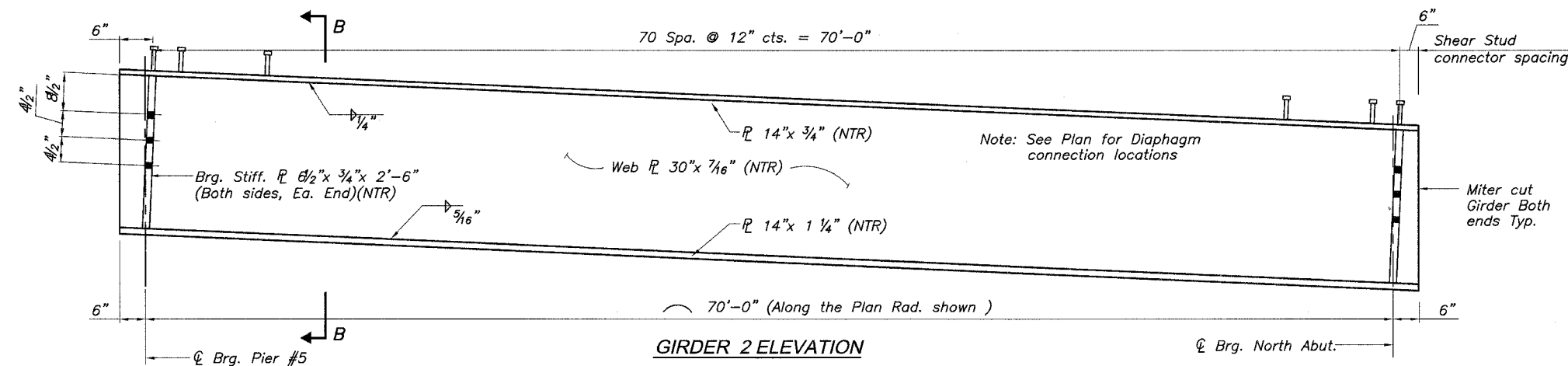
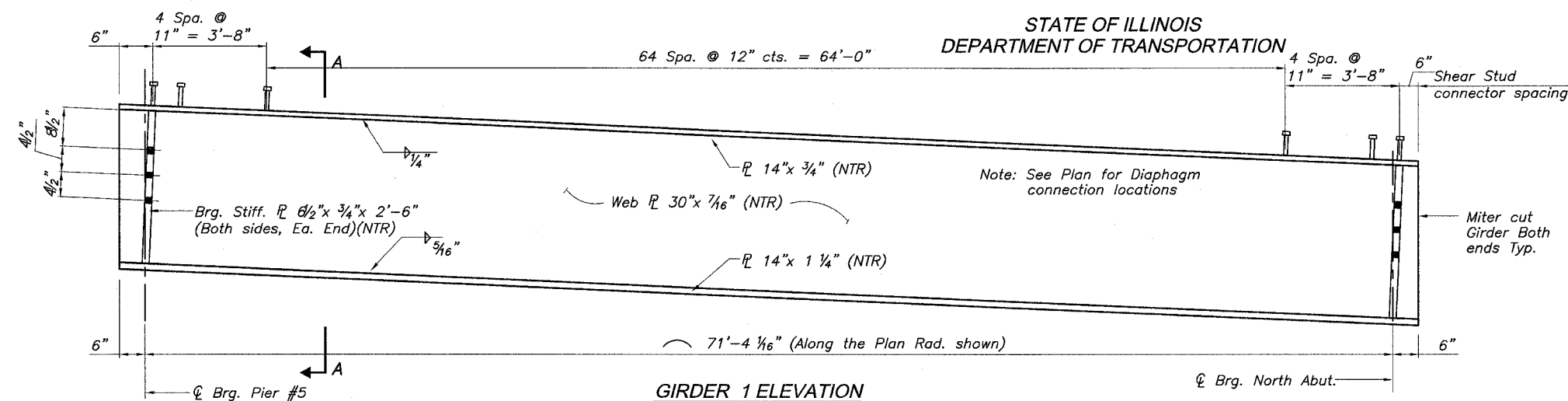


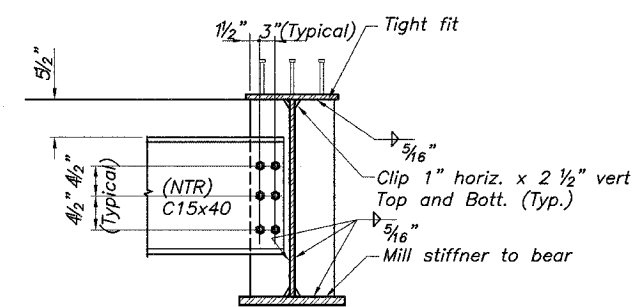
STATE OF ILLINOIS  
DEPARTMENT OF TRANSPORTATION

ROUTE NO.	SECTION	COUNTY	TOTAL SHEETS	SHEET NO.	SHEET NO. 7
*		ROCK ISLAND	112	60	19 SHEETS
FED. ROAD DIST. NO. 7	ILLINOIS	FED. AID PROJECT-			

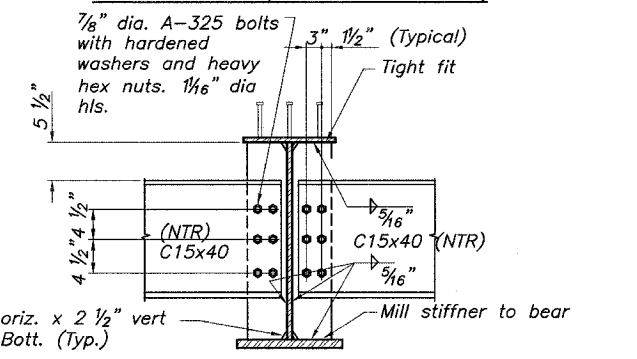
\* 05-00174-00-BT



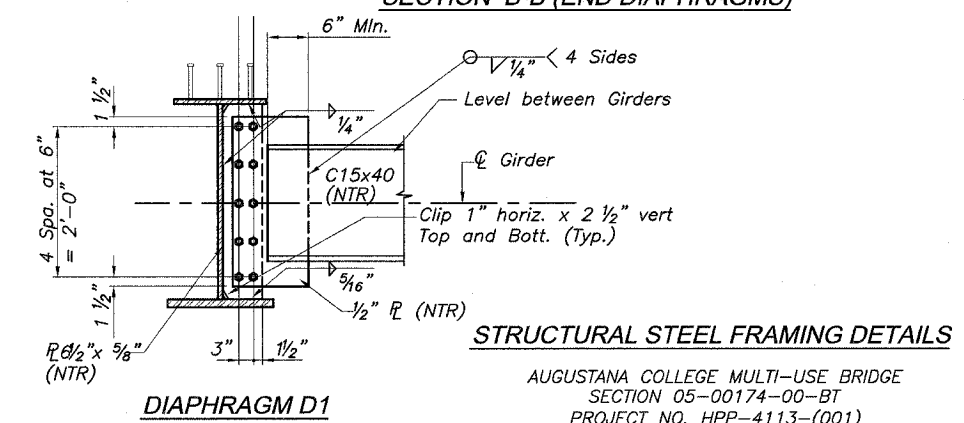
BEAM CURVE DIAGRAM



SECTION A-A (END DIAPHRAGM)



SECTION B-B (END DIAPHRAGMS)



DIAPHRAGM D1

STRUCTURAL STEEL FRAMING DETAILS

AUGUSTANA COLLEGE MULTI-USE BRIDGE  
SECTION 05-00174-00-BT  
PROJECT NO. HPP-4113-(001)  
CITY OF ROCK ISLAND  
ROCK ISLAND COUNTY

DESIGNED	LRT
CHECKED	JBF
DRAWN	RAP
CHECKED	JBF

- The Contractor shall either:
1. Ream diaphragm and/or cross frame connection holes during shop assembly, or
  2. Provide detailing and fabrication controls acceptable to the Engineer which ensures accuracy such that field reaming will not exceed the amount permitted in Article 505.08(l) of the Standard Specifications.