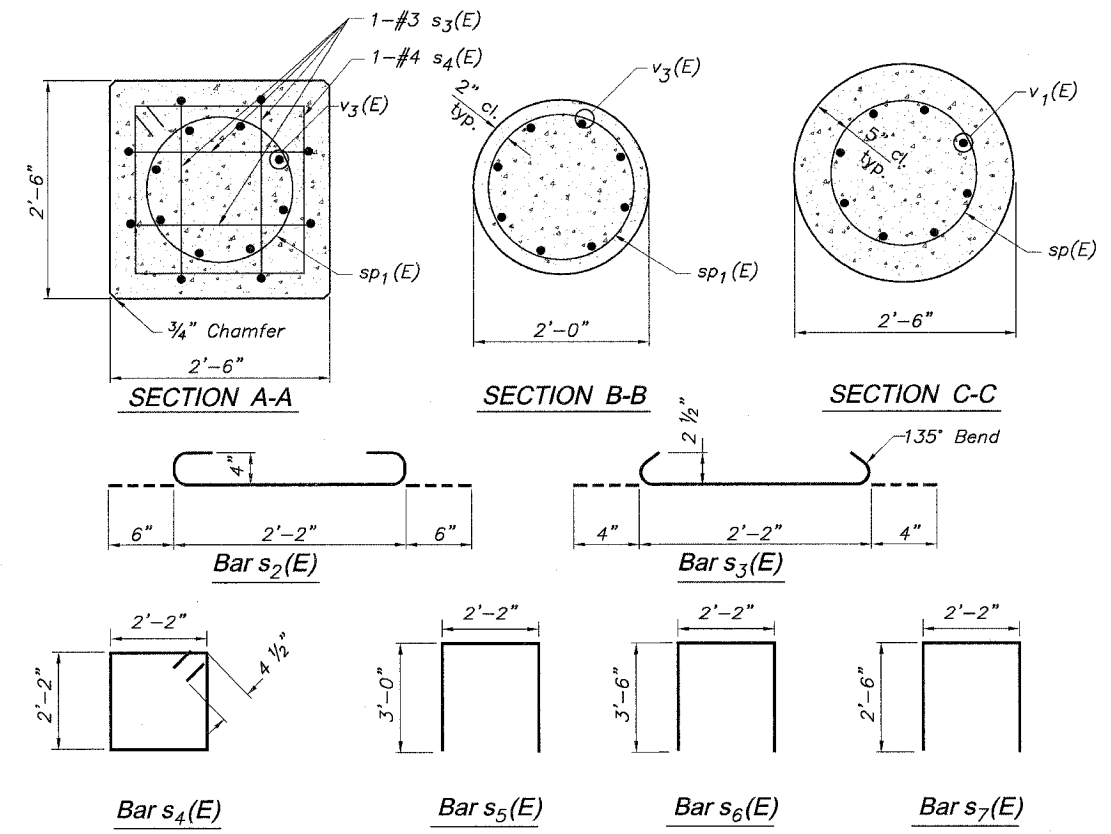
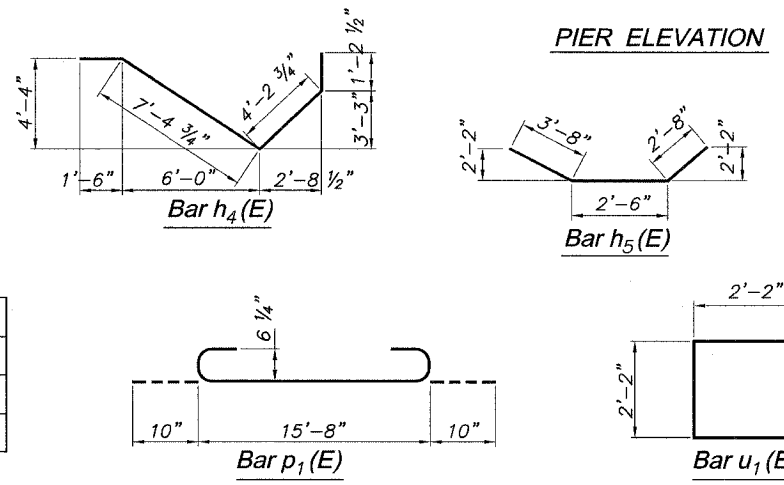
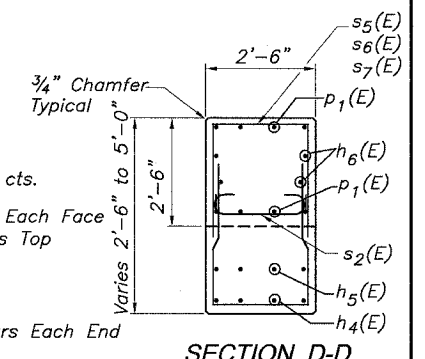
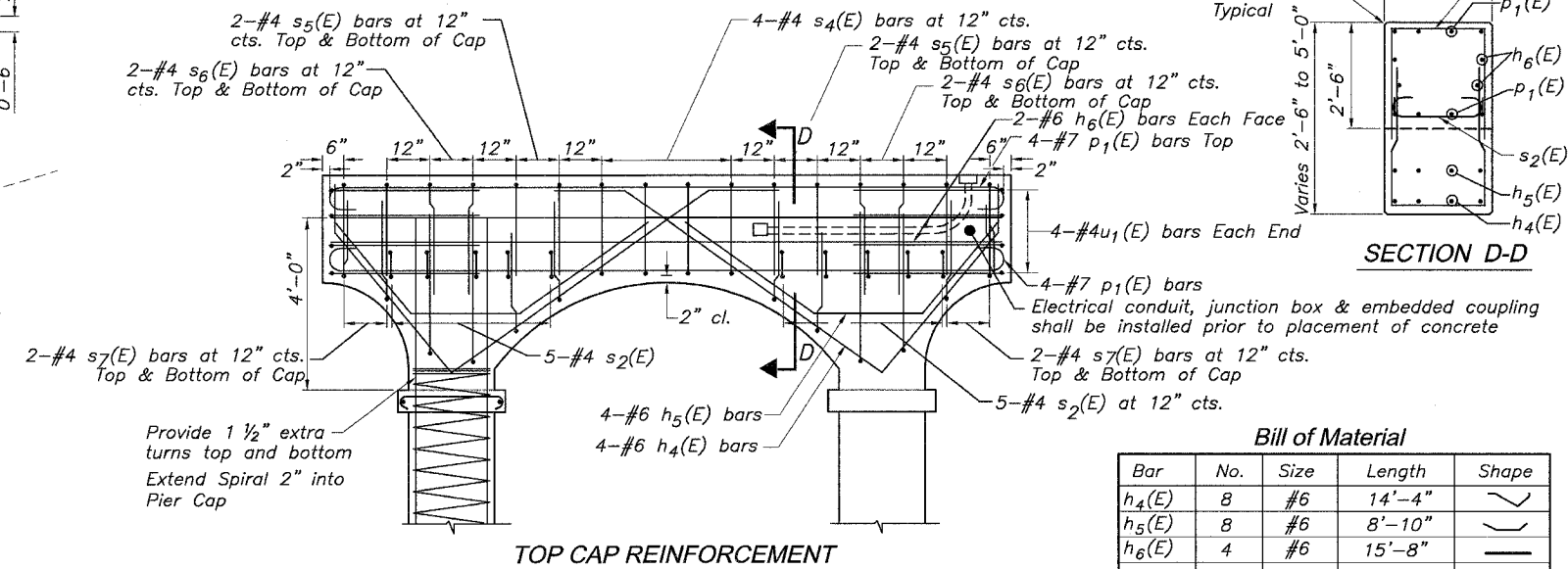
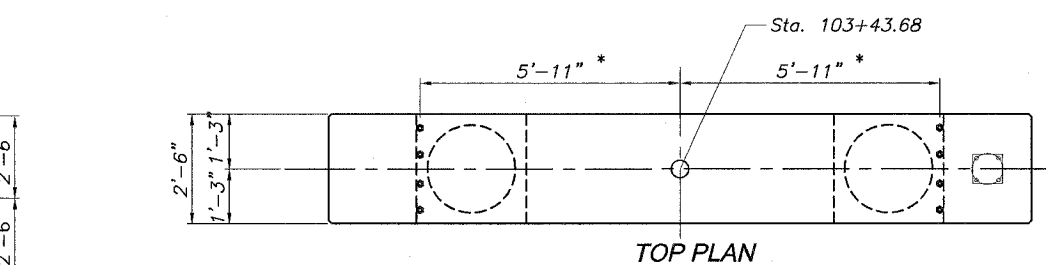
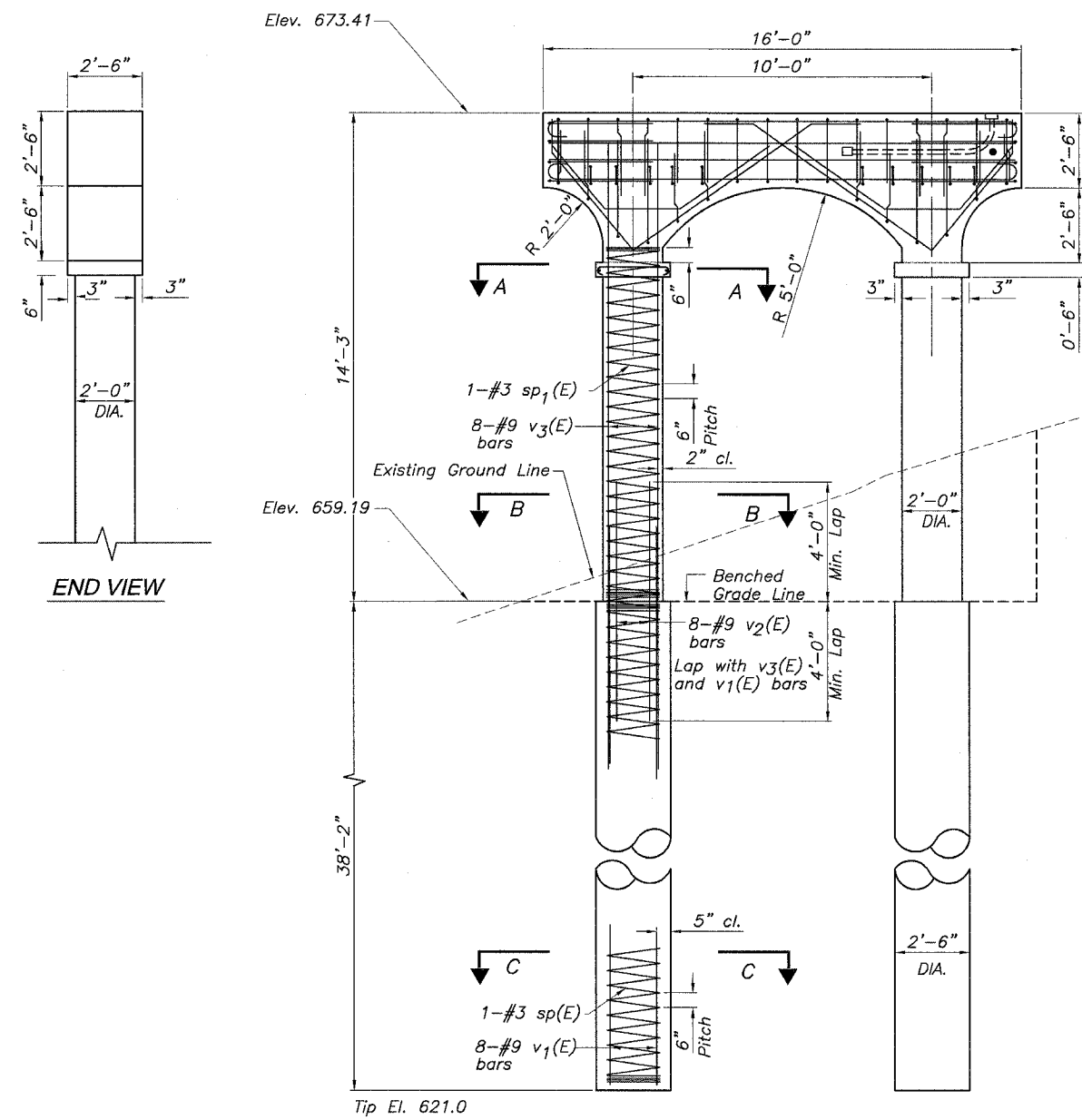


STATE OF ILLINOIS
DEPARTMENT OF TRANSPORTATION

ROUTE NO.	SECTION	COUNTY	TOTAL SHEETS	SHEET NO.	SHEET NO. 11
*		ROCK ISLAND	112	64	19 SHEETS
FED. ROAD DIST. NO. 7	ILLINOIS	FED. AID PROJECT-			



Bill of Material

Bar	No.	Size	Length	Shape
h ₄ (E)	8	#6	14'-4"	✓
h ₅ (E)	8	#6	8'-10"	✓
h ₆ (E)	4	#6	15'-8"	—
p ₁ (E)	8	#7	17'-4"	□
s ₂ (E)	10	#4	3'-2"	□
s ₃ (E)	8	#3	2'-10"	□
s ₄ (E)	6	#4	9'-5"	□
s ₅ (E)	8	#4	8'-2"	□
s ₆ (E)	8	#4	9'-2"	□
s ₇ (E)	8	#4	7'-2"	□
sp(E)	2	#3	37'-9"	~
sp ₁ (E)	2	#3	9'-4"	~
u ₁ (E)	8	#4	6'-6"	□
v ₁ (E)	16	#9	37'-9"	—
v ₂ (E)	16	#9	8'-0"	—
v ₃ (E)	16	#9	13'-3"	—
Structure Excavation		Cu.Yd.	11.0	
Concrete Structures		Cu.Yd.	7.8	
Reinforcement Bars Epoxy Coated		Pound	4,500	
Drilled Shafts in Soil		Cu.Yd.	13.9	

Reinf. bars designated (E) shall be Epoxy coated.

PIER #1 REINF. DETAILS
AUGUSTANA COLLEGE MULTI-USE BRIDGE
SECTION 05-00174-00-BT
PROJECT NO. HPP-4113-(001)
CITY OF ROCK ISLAND
ROCK ISLAND COUNTY

DESIGNED	LRT
CHECKED	JBF
DRAWN	RAP
CHECKED	JBF