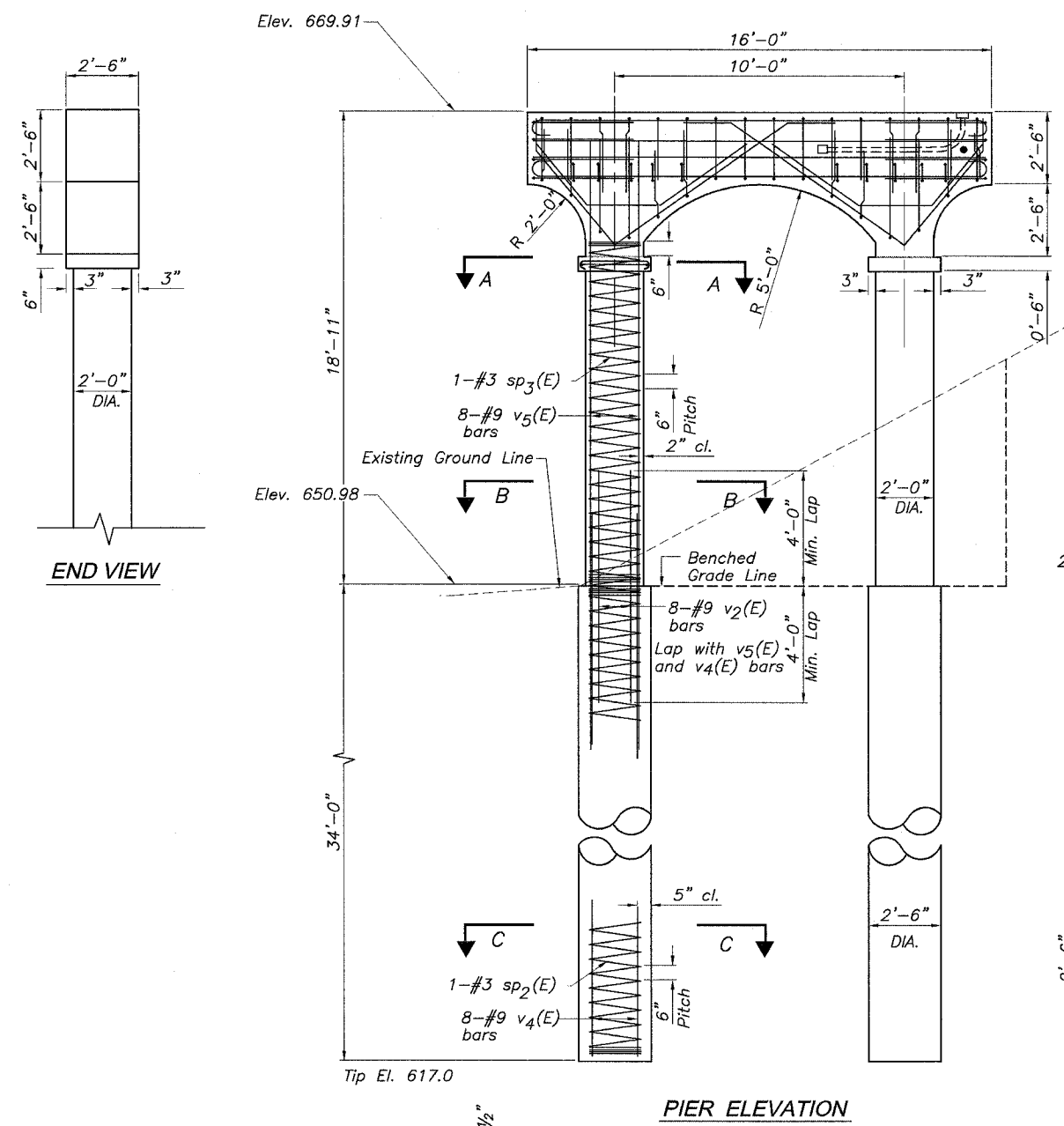


STATE OF ILLINOIS

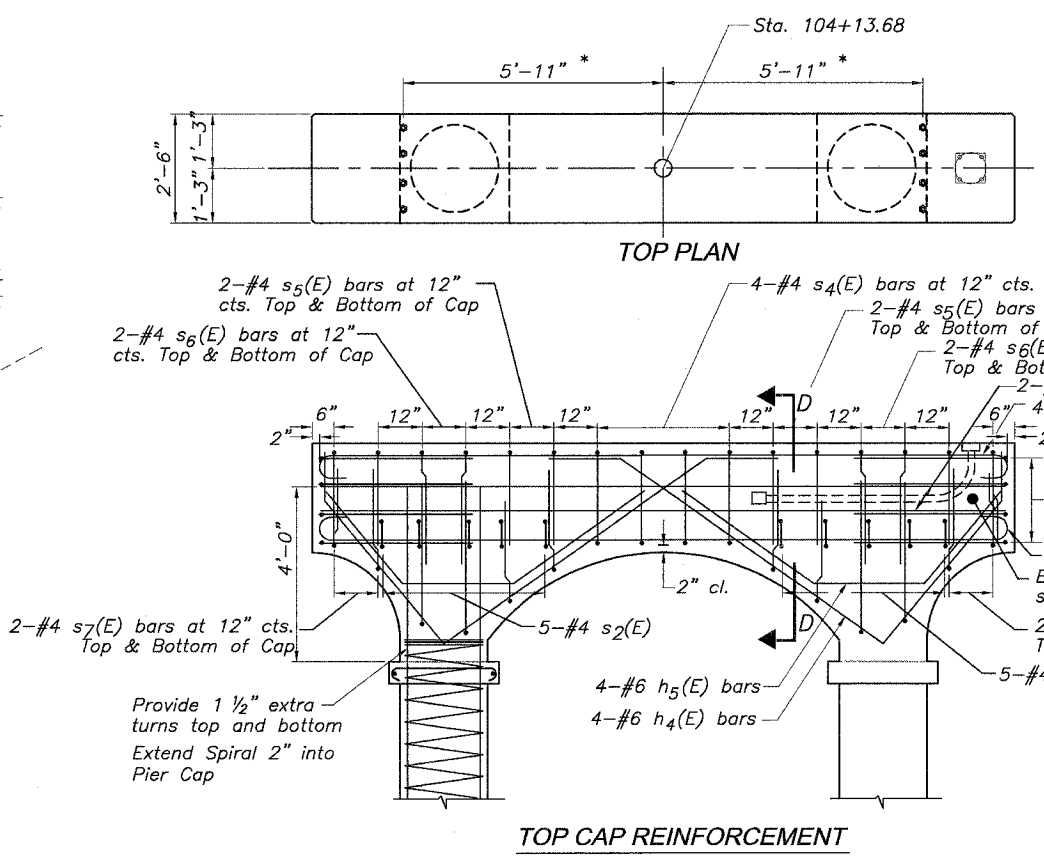
ROUTE NO.	SECTION	COUNTY	TOTAL SHEETS	SHEET NO.	SHEET NO. 12
*		ROCK ISLAND	112	65	19 SHEETS
FED. ROAD DIST. NO. 7	ILLINOIS	FED. AID PROJECT-			

* 05-00174-00-BT

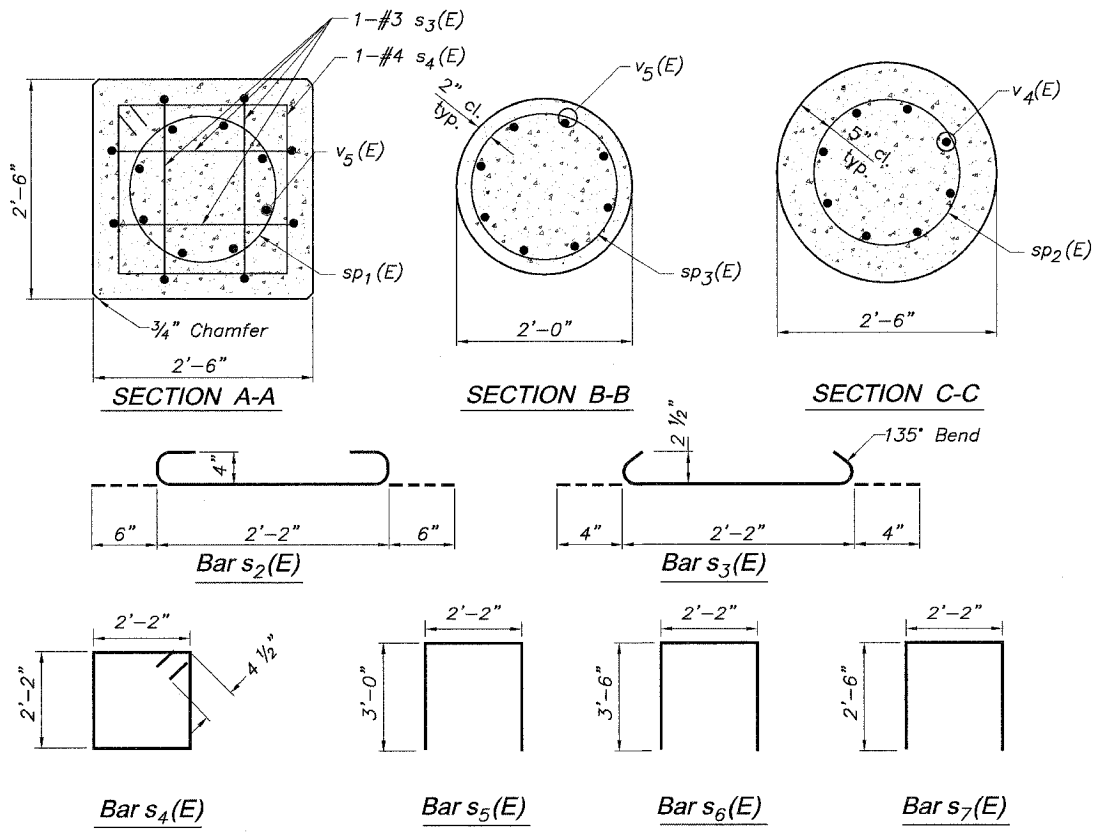
* Final location of bolt pattern to be provided by bridge supplier



PIER ELEVATION



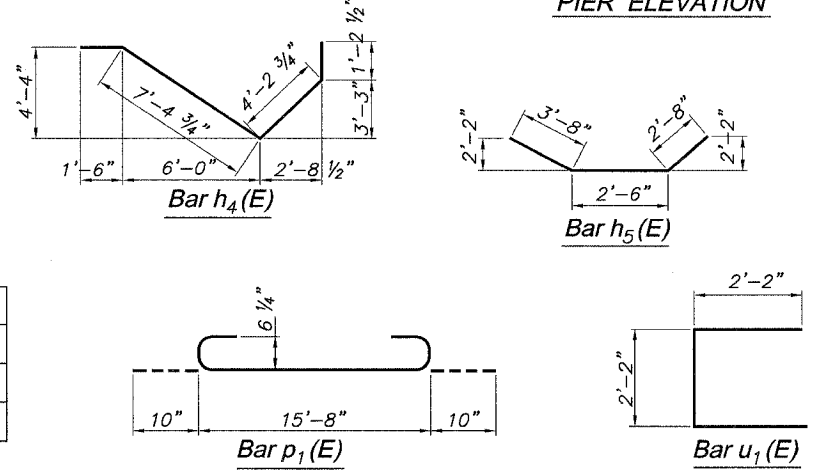
TOP CAP REINFORCEMENT



SECTION A-A

SECTION B-B

SECTION C-C



Bar h4(E)

Bar h5(E)

Bar p1(E)

Bar u1(E)

Bar s4(E)

Bar s5(E)

Bar s6(E)

Bar s7(E)

Bill of Material

Bar	No.	Size	Length	Shape
h4(E)	8	#6	14'-4"	✓
h5(E)	8	#6	8'-10"	✓
h6(E)	4	#6	15'-8"	—
p1(E)	8	#7	17'-4"	U
s2(E)	10	#4	3'-2"	U
s3(E)	8	#3	2'-10"	U
s4(E)	6	#4	9'-5"	□
s5(E)	8	#4	8'-2"	Π
s6(E)	8	#4	9'-2"	Π
s7(E)	8	#4	7'-2"	U
sp2(E)	2	#3	33'-7"	~
sp3(E)	2	#3	14'-0"	~
u1(E)	8	#4	6'-6"	□
v4(E)	16	#9	33'-7"	—
v2(E)	16	#9	8'-0"	—
v5(E)	16	#9	17'-11"	—
Structure Excavation		Cu.Yd.	15.1	
Concrete Structures		Cu.Yd.	8.6	
Reinforcement Bars Epoxy Coated		Pound	4,360	
Drilled Shafts in Soil		Cu.Yd.	12.4	

Reinf. bars designated (E) shall be Epoxy coated.

PIER #2 REINF. DETAILS

AUGUSTANA COLLEGE MULTI-USE BRIDGE
SECTION 05-00174-00-BT
PROJECT NO. HPP-4113-(001)
CITY OF ROCK ISLAND
ROCK ISLAND COUNTY

DESIGNED	LRT
CHECKED	JBF
DRAWN	RAP
CHECKED	JBF