

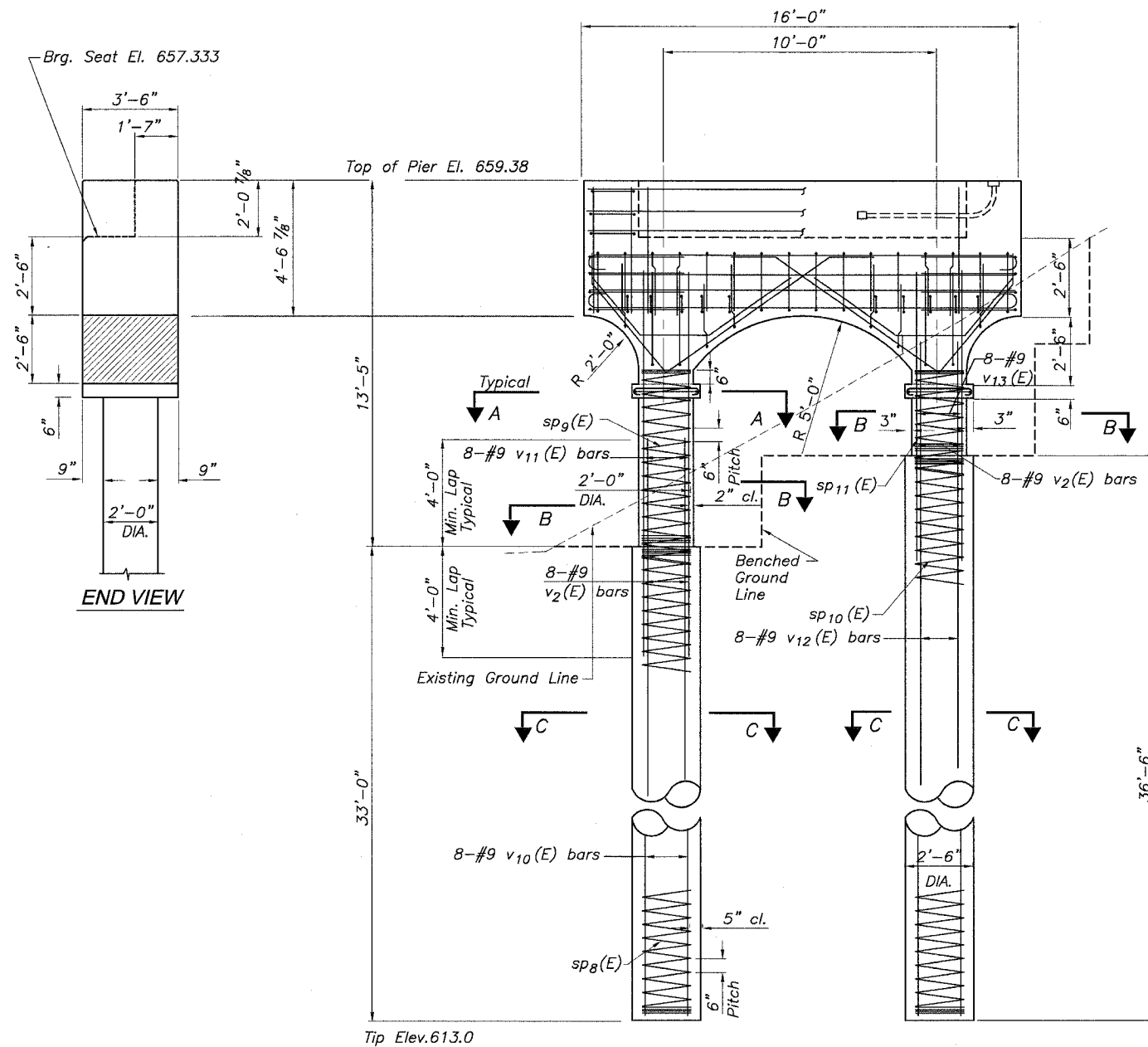
STATE OF ILLINOIS
DEPARTMENT OF TRANSPORTATION

ROUTE NO.	SECTION	COUNTY	TOTAL SHEETS	SHEET NO.	SHEET NO. 15
*	ROCK ISLAND	112	68	19 SHEETS	
FED. ROAD DIST. NO. 7	ILLINOIS	FED. AID PROJECT--			

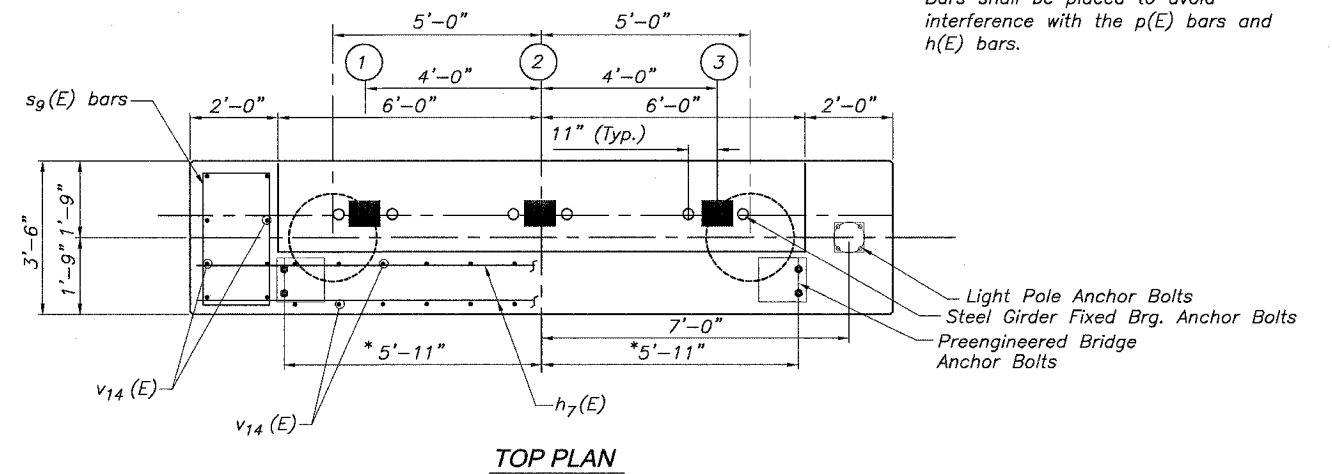
* 05-00174-00-BT

* Final location of bolt pattern to be provided by bridge supplier

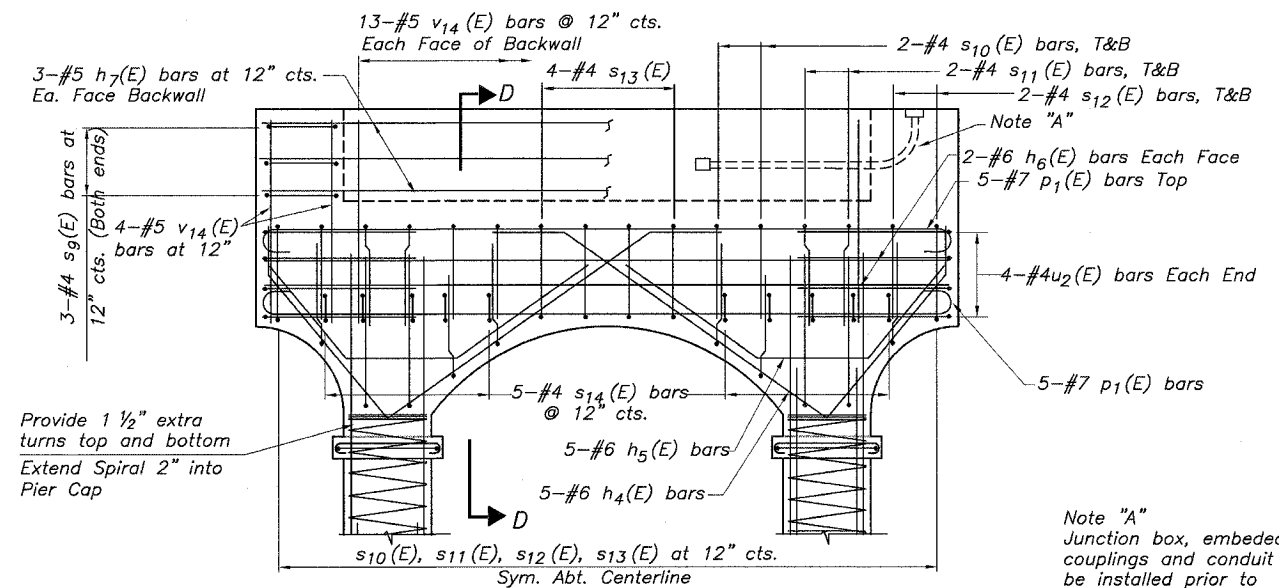
** Bars shall be placed to avoid interference with the p(E) bars and h(E) bars.



PIER ELEVATION



TOP PLAN



TOP CAP REINFORCEMENT

Note "A"
Junction box, embedded couplings and conduit to be installed prior to placement of concrete by Electrical contractor.

DESIGNED	LRT
CHECKED	JBF
DRAWN	RAP
CHECKED	JBF

PIER #5 REINF. DETAILS

AUGUSTANA COLLEGE MULTI-USE BRIDGE
SECTION 05-00174-00-BT
PROJECT NO. HPP-4113-(001)
CITY OF ROCK ISLAND
ROCK ISLAND COUNTY