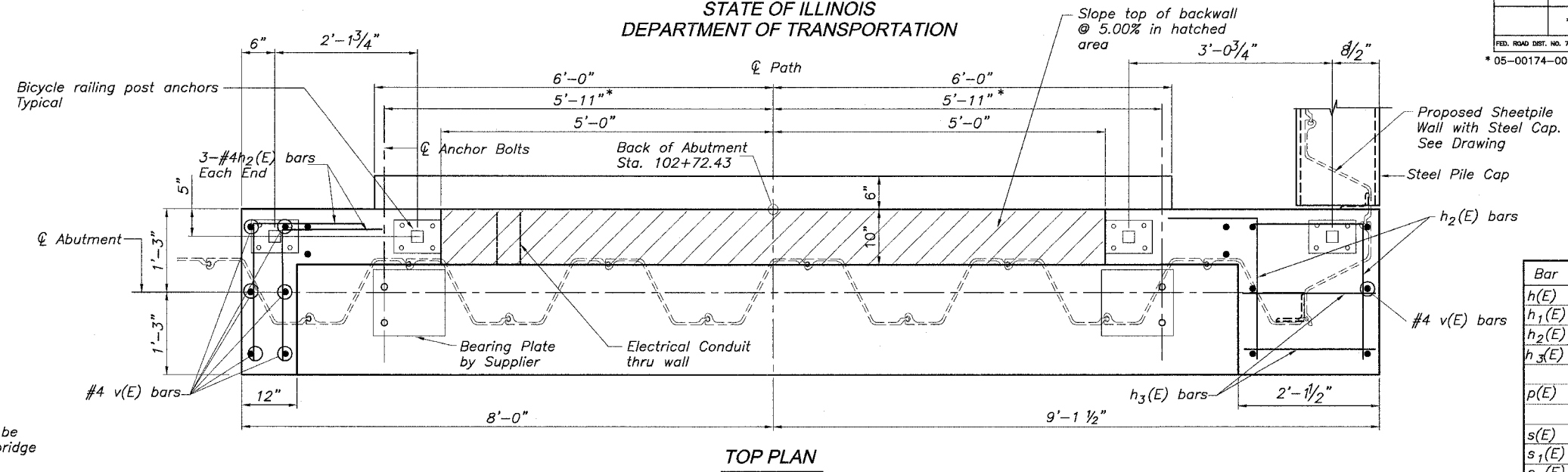


STATE OF ILLINOIS
DEPARTMENT OF TRANSPORTATION

ROUTE NO.	SECTION	COUNTY	TOTAL SHEETS	SHEET NO.	SHEET NO. 17
*	*	ROCK ISLAND	112	70	19 SHEETS
FED. ROAD DIST. NO. 7	ILLINOIS	FED. AID PROJECT-			

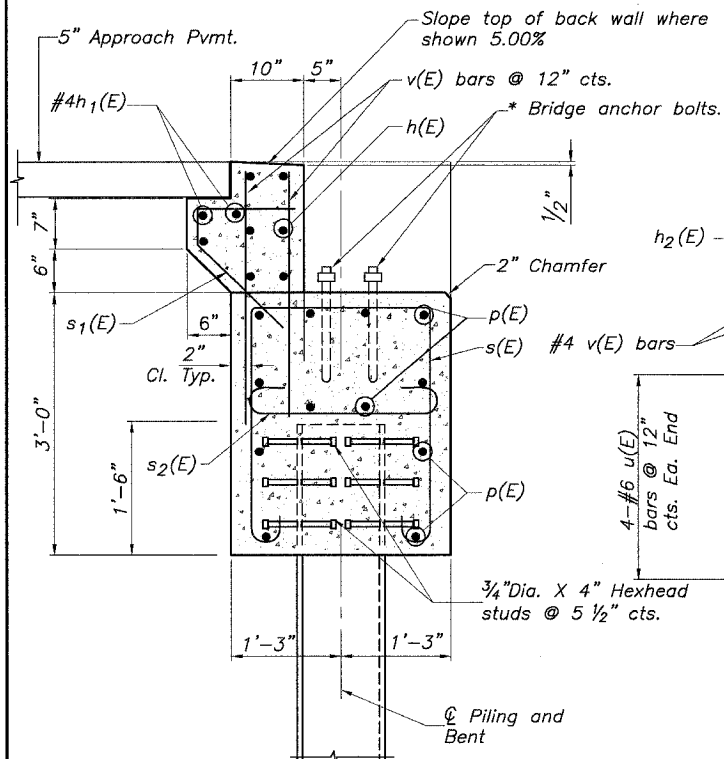
* 05-00174-00-BT



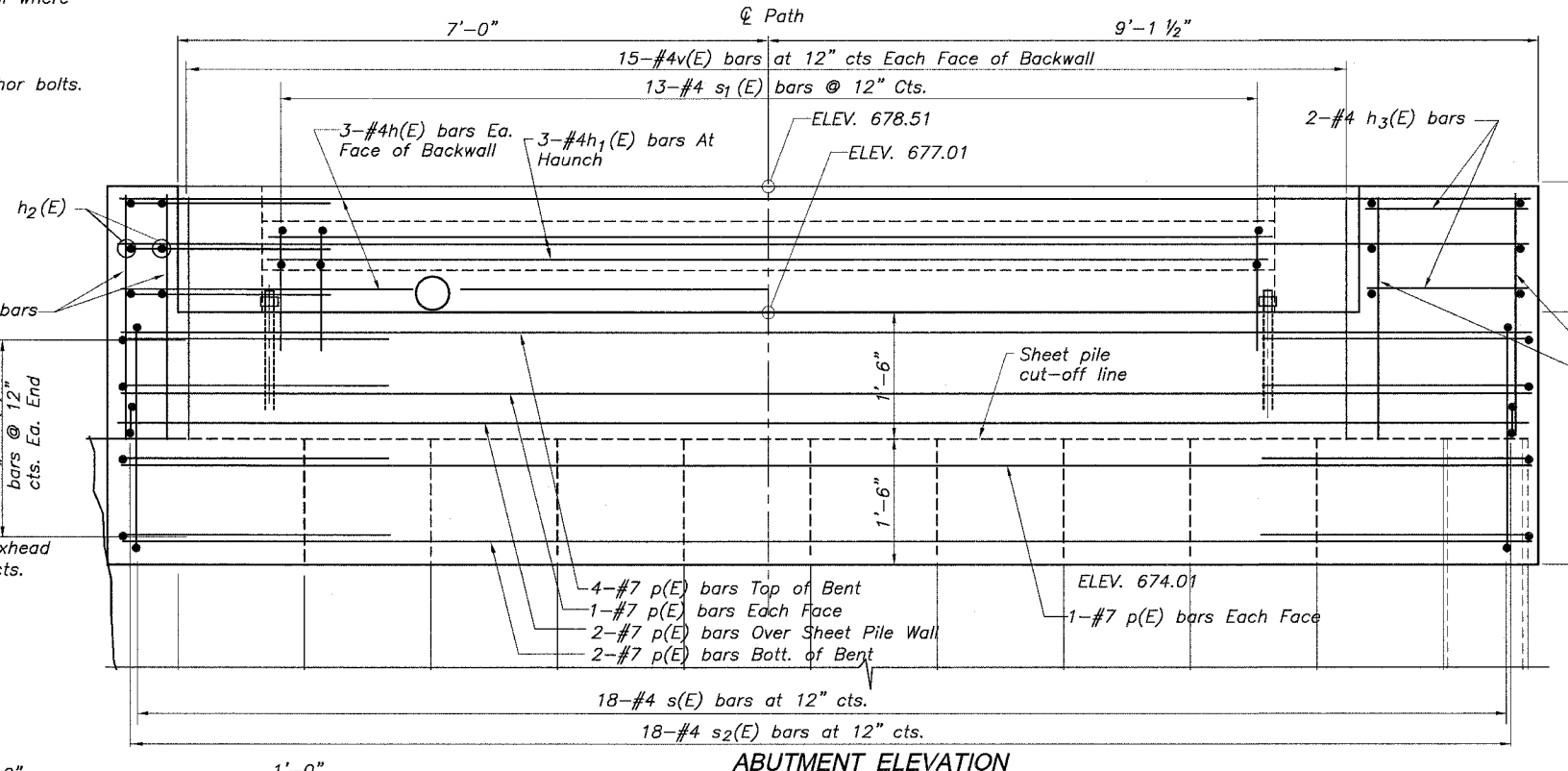
* Final location of anchor bolts shall be provided by supplier of pedestrian bridge and detailed on shop drawings

**Bill of Material
South Abutment**

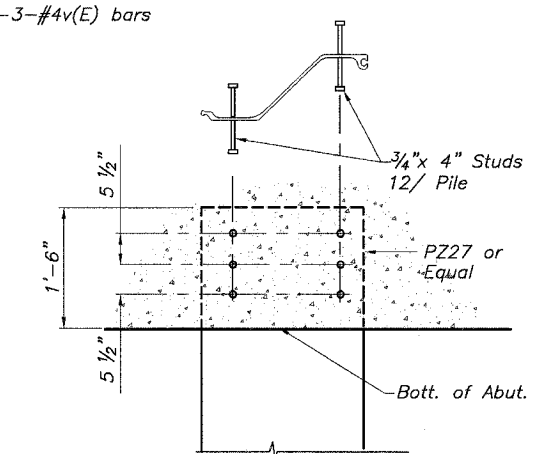
Bar	No.	Size	Length	Shape
h(E)	6	#4	16'-10"	—
h ₁ (E)	3	#4	11'-8"	—
h ₂ (E)	12	#4	4'-4"	┌
h ₃ (E)	4	#4	1'-10"	—
p(E)	12	#7	16'-10"	—
s(E)	18	#4	8'-6"	┌
s ₁ (E)	13	#4	2'-6"	┌
s ₂ (E)	18	#4	3'-2"	┌
u(E)	8	#6	6'-6"	┌
v(E)	27	#4	4'-2"	—
Concrete Structures	Cu.Yd.	6.0		
Reinforcement Bars Epoxy Coated	Pound	860		
Shear Stud Connectors	Each	144		



SECTION AT ABUTMENT

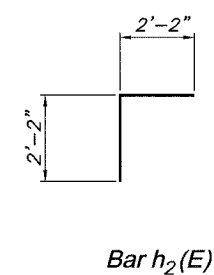
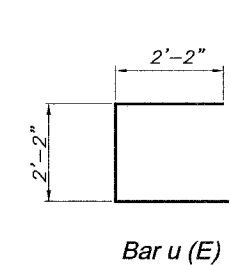
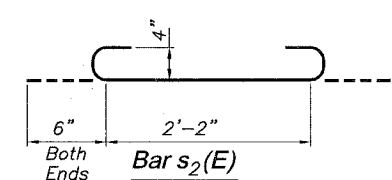
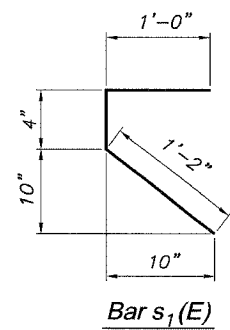
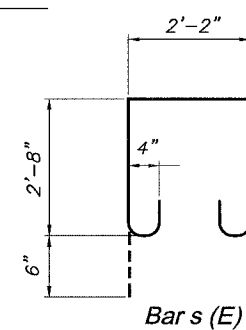


ABUTMENT ELEVATION



SHEAR STUD DETAIL

DESIGNED	LRT
CHECKED	JBF
DRAWN	RAP
CHECKED	JBF



SOUTH ABUTMENT DETAILS

AUGUSTANA COLLEGE MULTI-USE BRIDGE
SECTION 05-00174-00-BT
PROJECT NO. HPP-4113-(001)
CITY OF ROCK ISLAND
ROCK ISLAND COUNTY